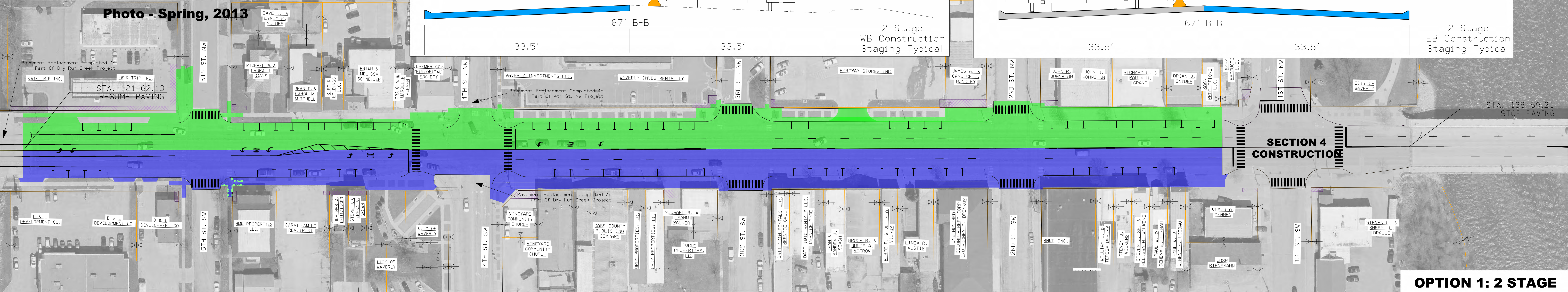
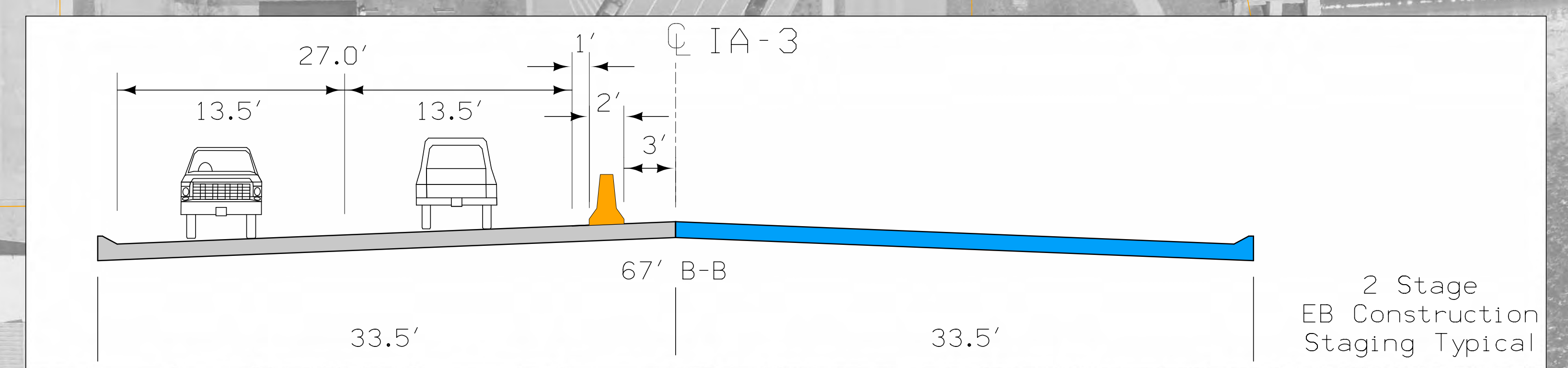
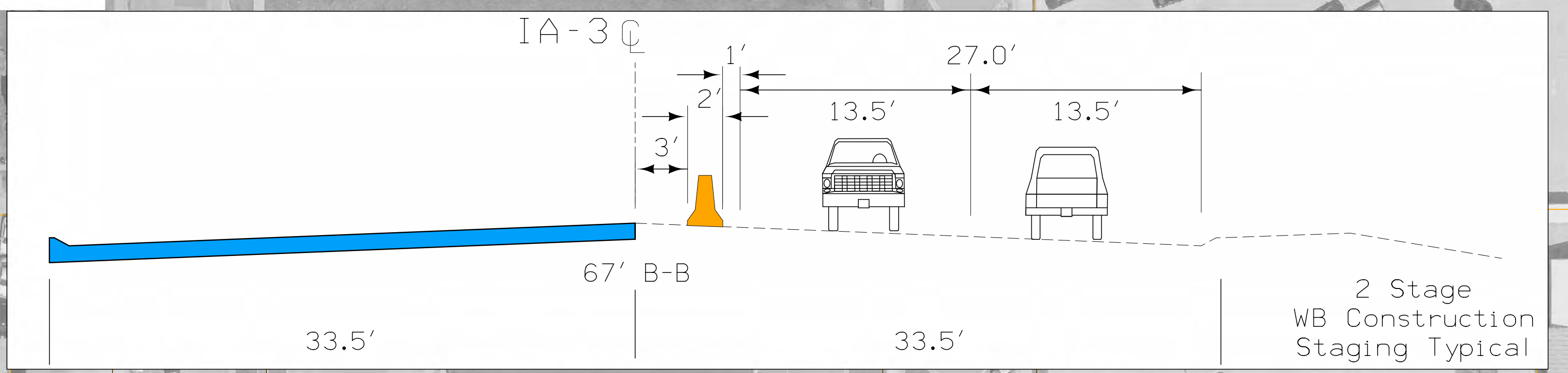
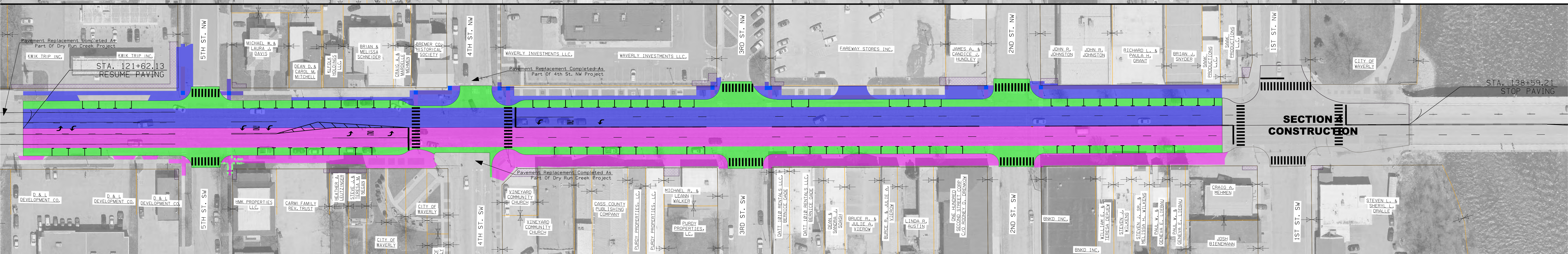


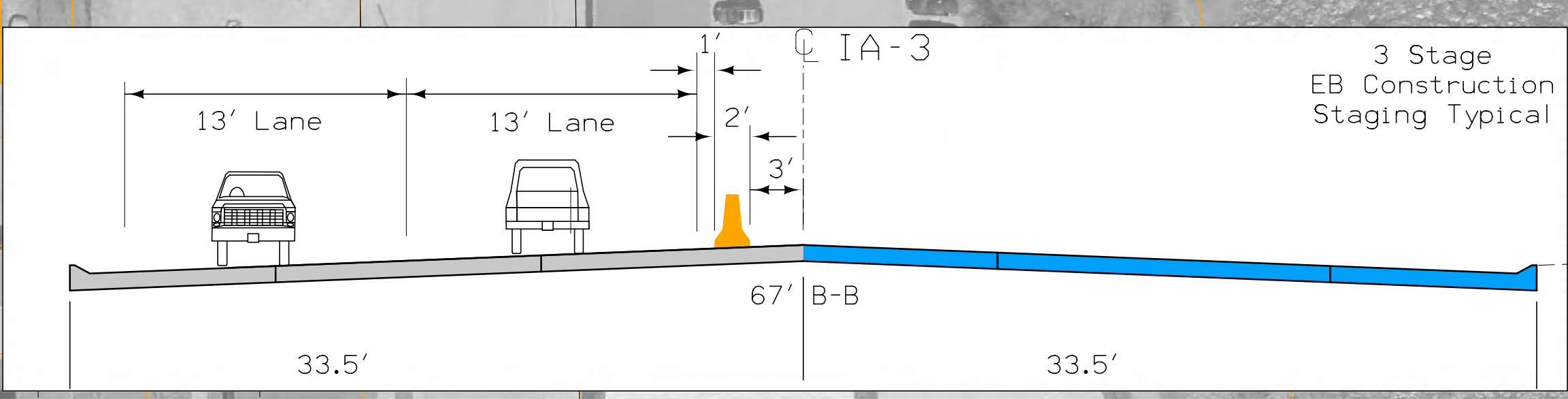
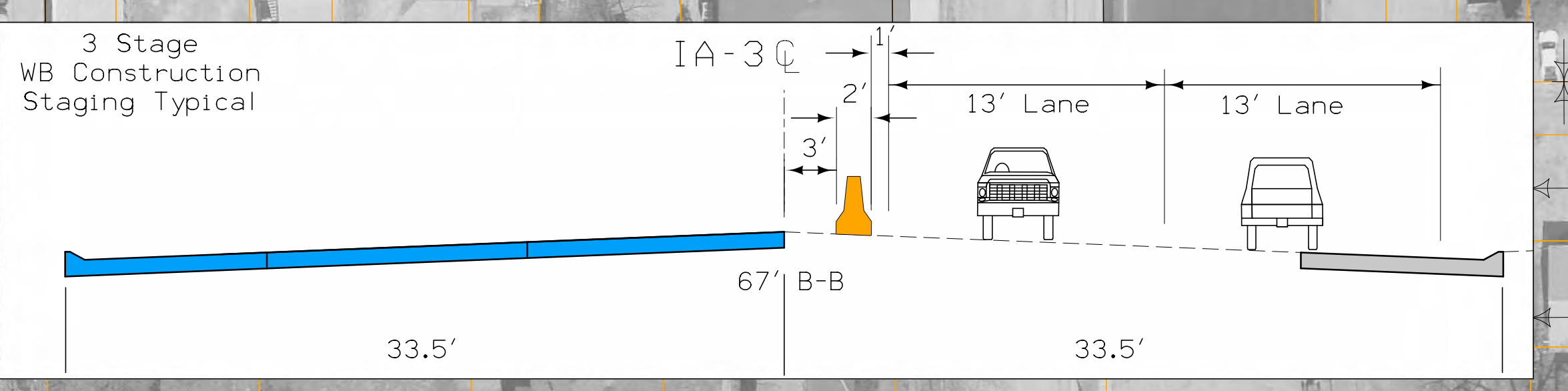
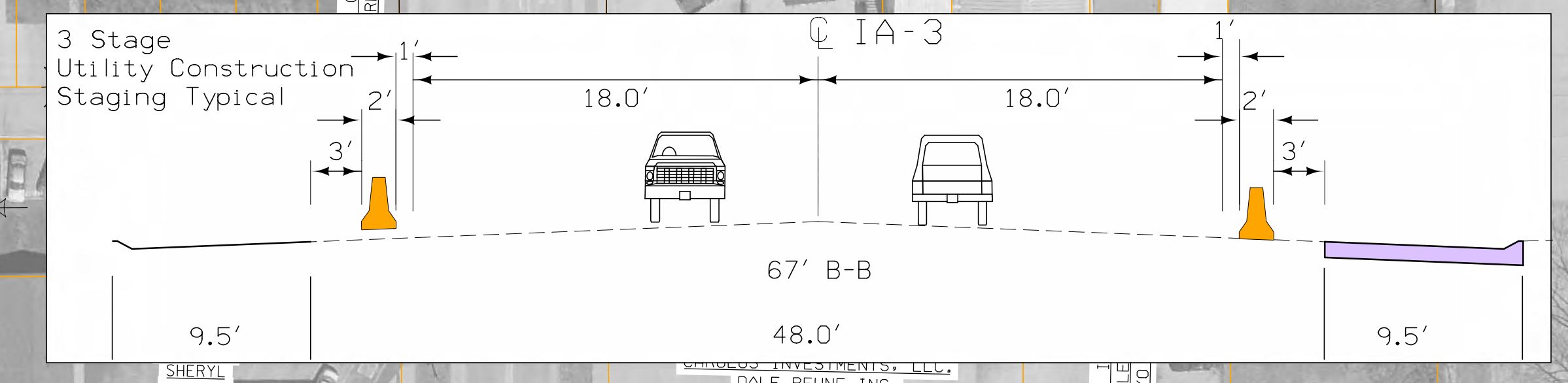
**SECTION 3**



**OPTION 1: 2 STAGE**



**OPTION 2: 3 STAGE**



**LEGEND**

- STAGE 1**
- STAGE 2**
- STAGE 3**
- PROPOSED GRANULAR ON-SITE DETOUR**
- PROPOSED RETAINING WALL**
- PROPOSED TEMPORARY EASEMENT**
- PROPERTY LINES**
- EXISTING RIGHT OF WAY LINES**

