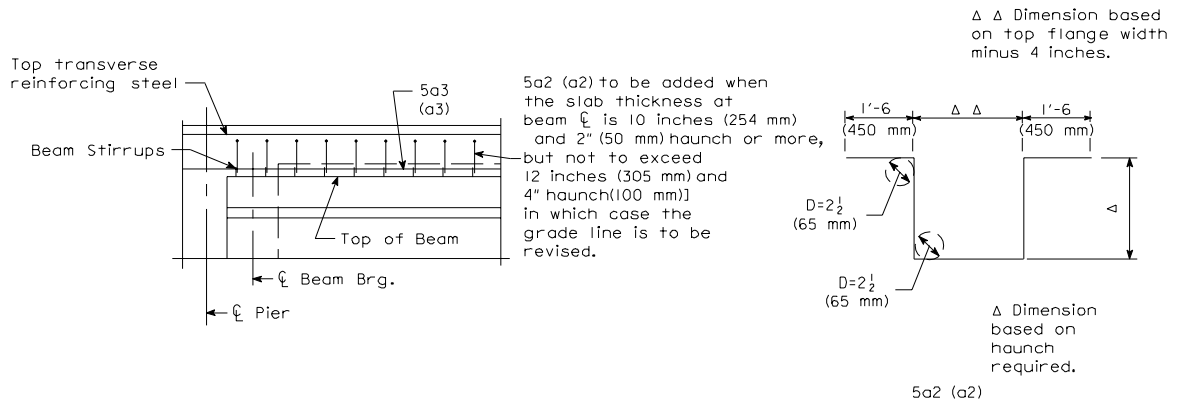


SECTION AT
CL PIER BEARING



SECTION A-A

OPTION I DETAILS

PCB Where haunch > 2" (50 mm)