

**IOWA DEPARTMENT OF TRANSPORTATION**

To Office Bridges and Structures

Date October 23—?, 2003

Attention All Employees

Ref No. 521.1

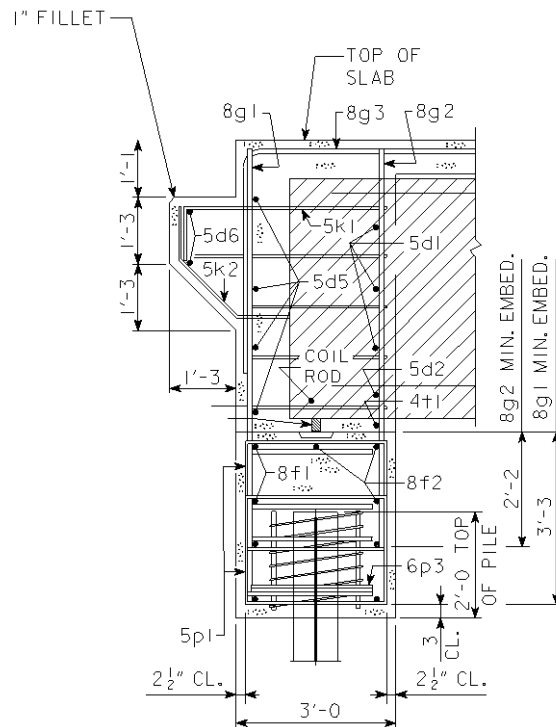
From Gary Novey

Office Bridges and Structures

Subject Method's Memo No. 86 (New Policy for Bridge Approach Slabs)

To help improve the construction of the bridge approach slabs on highway projects, the Office of Bridges and Structures will start including the approach slab details in the bridge plans. The details will be provided by Design and include any details, standard references, and bid tabs for the reinforced portion of the bridge approach slabs. These details will be provided along with the details that are normally provided for the new bridge plans (traffic control, pollution preventions, etc.)

Design is currently updating the approach slab details and will be including the standards in their updates for April 04 lettings. Reinforced approach slab details should be included in all bridge plans starting with the April 04 lettings. Prior to April 04, some bridge projects may be required to have approach slab details included with the bridge plans. For bridges using the new approach slab, the abutment paving notch shall also be updated (See details below). Check with your section leader to see what projects are to be included.



TYPICAL SECTION

GAN:dgb:bj