

IOWA DEPARTMENT OF TRANSPORTATION

To Office Bridges and Structures

Date March 24, 2005

Attention All Employees

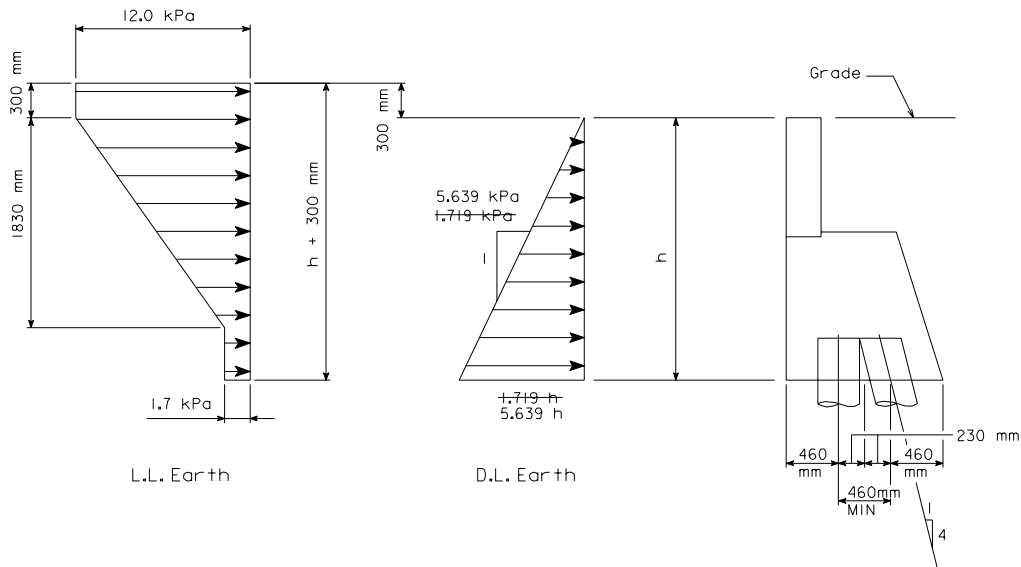
Ref No. 521.1

From Gary Novey

Office Bridges and Structures

Subject Method's Memo No. 116 (Correction to Figure 6.5.2.5 in 6.5 Abutments of the Bridge Design Manual)

The following error has been found in Figure 6.5.2.5 metric version in section "6.5 Abutments" of the Bridge Design Manual. The soil pressure conversion from English to metric should be 5.639 kPa / m of height instead of the 1.719 kPa / m of height that was shown. Please review any design calculations where this values has been used and make the appropriate correction. See corrected figure below.



L.L.E. is applied over the width of loaded lanes and is subject to reduction A.A.S.H.T.O. Art. 3.12.1