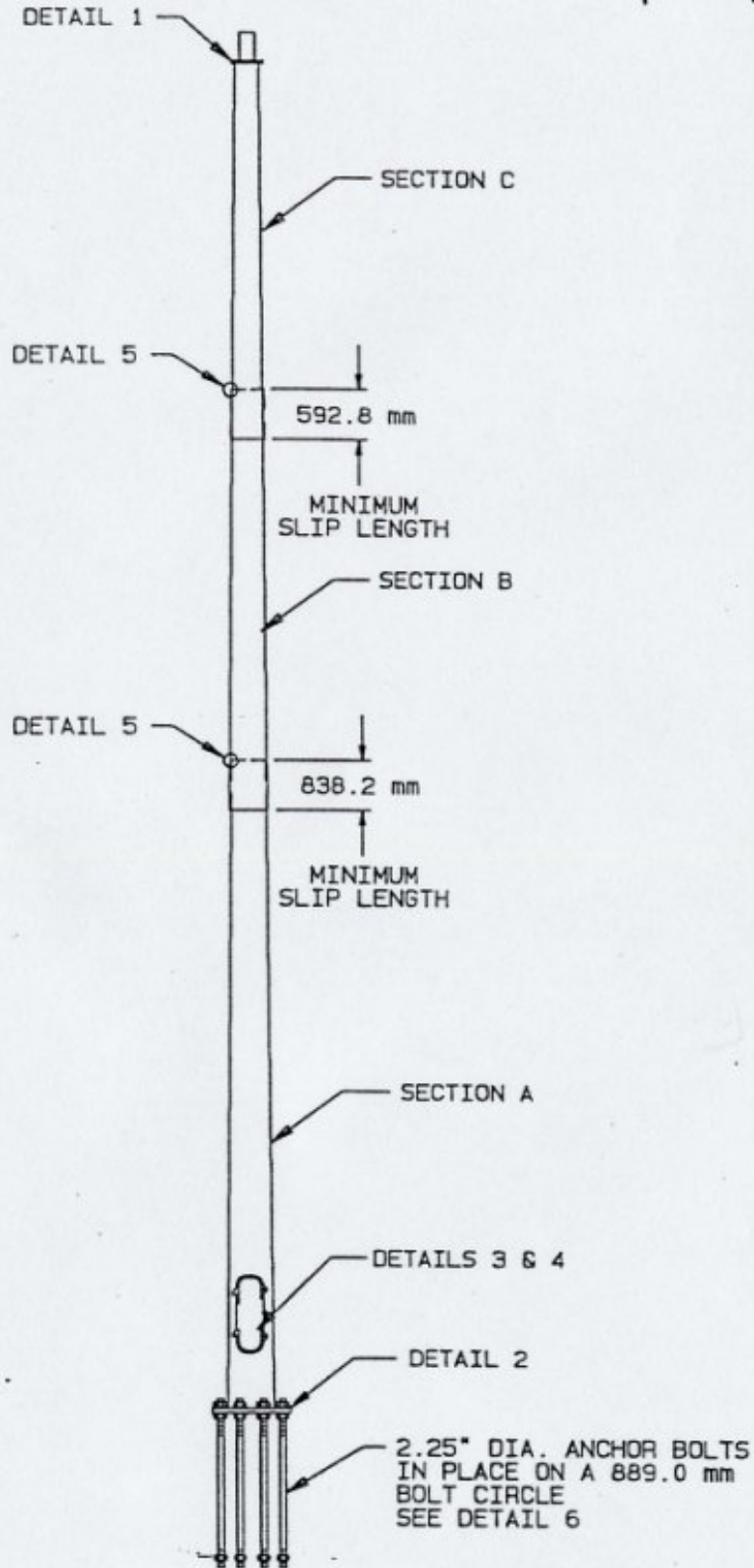


POLE HEIGHT (m)	TUBE					POLE BASE		
	SECTION	BASE DIAMETER	TOP DIAMETER	LENGTH (m)	GAUGE OR THICK	LENGTH X WIDTH	BOLT CIRCLE DIAMETER	THICK
45.11	A	723.9 mm	545.1 mm	15.32	7.95 mm	1041.4 mm X 965.2 mm	889.0 mm	44.4 mm
	B	571.5 mm	384.2 mm	16.03	6.35 mm			
	C	406.4 mm	222.8 mm	15.75	5.56 mm			
	A							
	B							
	C							

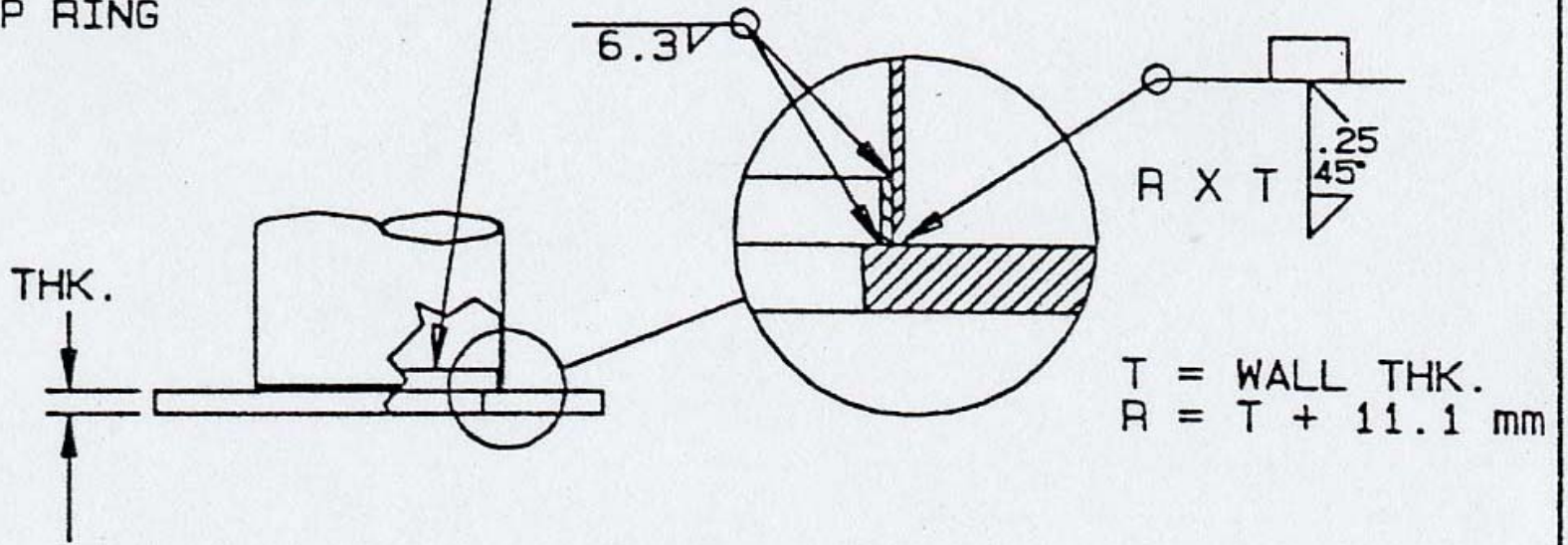
WIND GUST VELOCITY: 167.0 km/h
TOTAL EPA: 1.40 SQ.M.
TOTAL WEIGHT: 334.8 KG



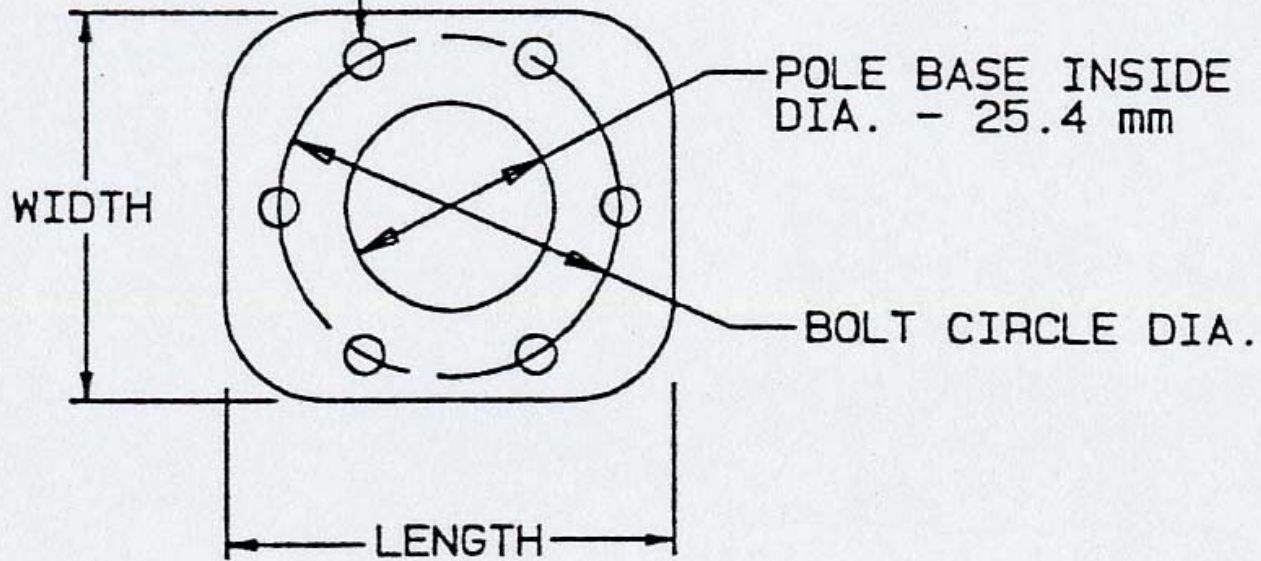
LOADING AND ALLOWABLE STRESS CRITERIA:
1994 ASSHTO "STANDARD SPECIFICATIONS FOR
STRUCTURAL SUPPORTS FOR HIGHWAY SIGNS,
LUMINAIRES AND TRAFFIC SIGNALS".

MATERIAL DATA

6.3 mm THK. X 76.2 mm
BACK-UP RING



HOLE DIA. = BOLT
DIA. + 9.5 mm MAX.



DETAIL 2

POLE BASE