

# GRAVITY HAMMER

Project No. \_\_\_\_\_ County \_\_\_\_\_ Design No. \_\_\_\_\_

Contractor \_\_\_\_\_ Date Reported \_\_\_\_\_

Location (Abut, Pier)	Type of Piling	Plan Pile Length	Design Bearing (End of Drive)	Design Bearing (Retap)	Graph No. For Office Use

**RAM**

**CAP**

**INSERT**

IDOT ID No. \_\_\_\_\_

IDOT ID No. \_\_\_\_\_

IDOT ID No. \_\_\_\_\_

Weight \_\_\_\_\_ Lbs.

Weight \_\_\_\_\_ Lbs.

Weight \_\_\_\_\_ Lbs.

**HAMMER CUSHION (#1)**

(Between Ram & Cap)

**PILE CUSHION (#2)**

(Between Cap & Pile, if applicable)

Dimensions  
Refer to Sketch

Surface Area \_\_\_\_\_

Surface Area \_\_\_\_\_

Thickness \_\_\_\_\_

Thickness \_\_\_\_\_

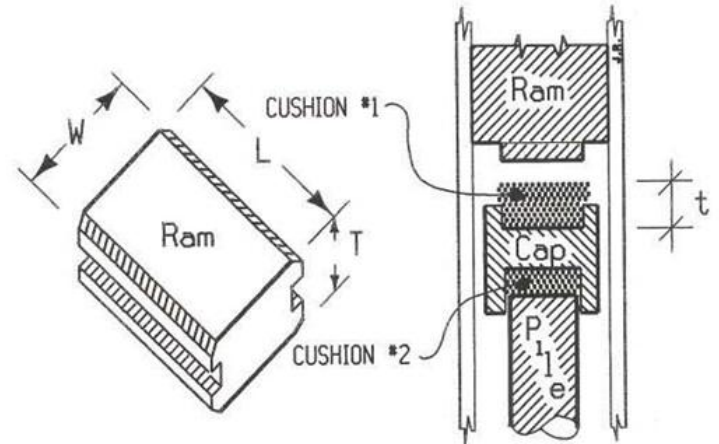
Composition \_\_\_\_\_

Composition \_\_\_\_\_

L \_\_\_\_\_

W \_\_\_\_\_

T \_\_\_\_\_



If dimensional lumber is used for cushion, indicate wood grain orientation (Horizontal or Vertical)