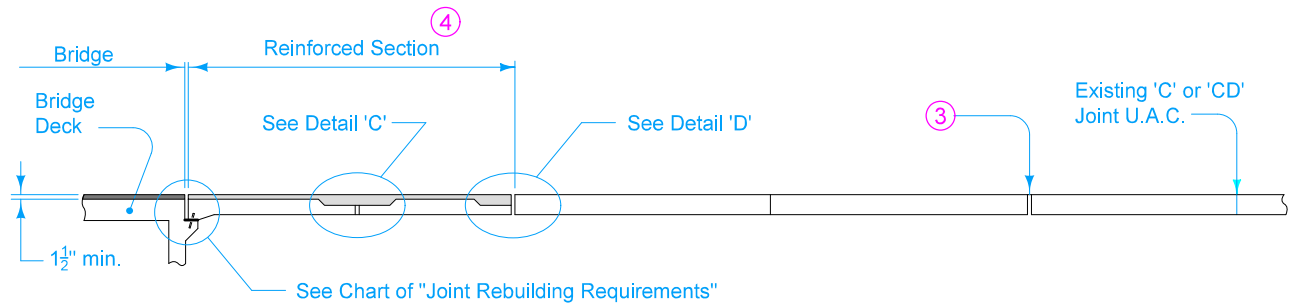
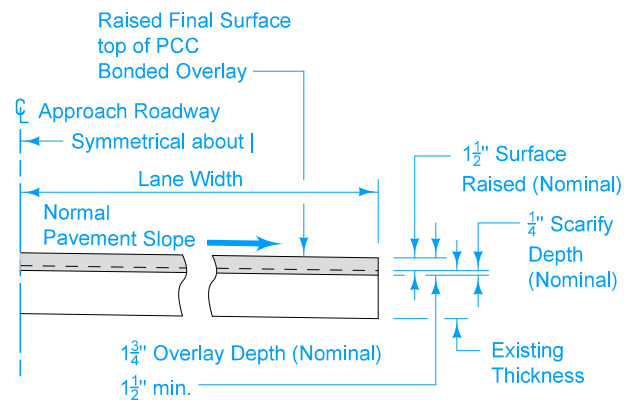


TYPICAL PLAN VIEW

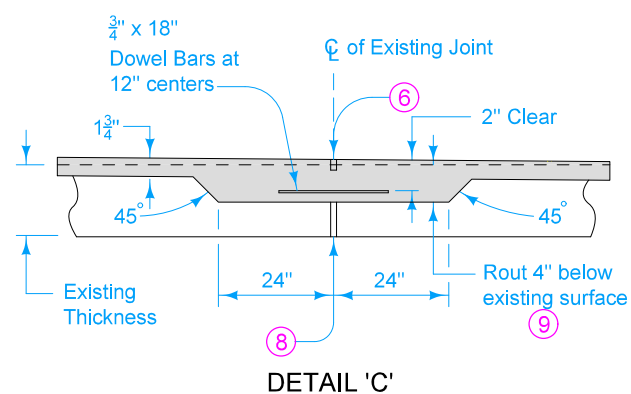


TYPICAL SECTION THRU CENTERLINE

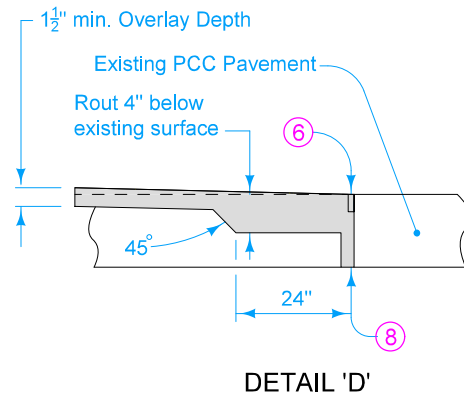


SECTION A-A

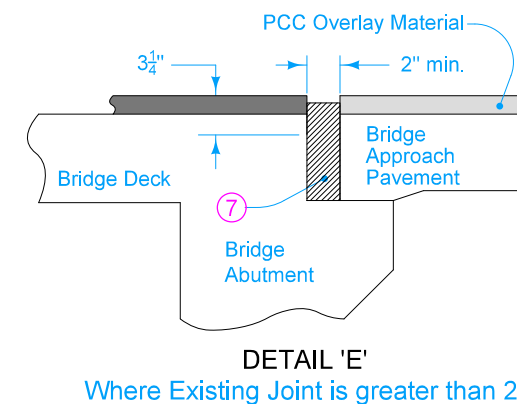
JOINT REBUILDING REQUIREMENTS	
EXISTING JOINT WIDTH	CONSTRUCTION METHOD REQUIRED
0 to 1"	Cut to 1 1/2" width See Detail 'A'
1" to 2"	See Detail 'A'
Greater than 2"	See Detail 'E'



DETAIL 'C'



DETAIL 'D'



DETAIL 'E'

Where Existing Joint is greater than 2"

- 1 Remove HMA Resurfacing if present. The cost of removal is considered incidental to "Bridge Floor Overlay" as detailed hereon.
- 2 Existing shoulder elevation to be raised to match new pavement grade.
- 3 At first existing 'CF' joint beyond PCC Overlay area, clean joint, trim to $3\frac{3}{4} + \frac{1}{2}$ " and install preformed joint material $4\frac{1}{2} + \frac{1}{8}$ " wide times pavement thickness minus 1 inch deep with lubricant adhesive. See Materials I.M. 436.05 for list of approved materials.
- 4 Reinforced bridge approach section overlay "Runout" slope not to exceed 1 inch in 50 feet from profile grade.
- 5 Existing joint. Remove all expansion material and clean joint area. Do not overlay and saw cut.
- 6 Saw and seal over existing joint. Refer to Detail 'C' on PV-101.
- 7 Tire buffings. Refer to Detail 'H' on PV-101.
- 8 Existing joint. Remove all expansion material and fill with overlay material.
- 9 Applicable only if a transverse crack in the reinforced section exists.

This plan shows construction details of a PCC Overlay on a bridge approach section to match the thickness of the bridge deck overlay.

After undersealing (by others), work is to proceed in the following sequence and according to the traffic control plans:

1. Rout out existing joints as detailed in the plans.
2. Scarify to the minimum depth of 1/4" the existing PCC surface of the reinforced bridge approach section. Scarify deep enough to provide a minimum overlay thickness of 1 1/2".
3. Overlay the scarified approach pavement with PCC according to Section 2413 of the Standard Specifications. The existing joint at the bridge end is not to be overlaid and cut out by saw. Use a method approved by the Engineer.
4. Install sealed joint at the bridge end and at the locations of overlaid existing joints as detailed on this sheet.
5. Trim the first existing 'CF' joint beyond the resurfaced area to a uniform $3\frac{3}{4} + \frac{1}{2}$ " width, clean joint and install new preformed joint material with lubricant adhesive.

Routing at joints will be measured and paid for as "Class A Deck Repair" according to Section 2413 of the Standard Specifications.

Overlying of the bridge approach pavement with PCC will be paid for at the contract unit price for "Deck Overlay" according to Section 2413 of the Standard Specifications. Scarification to the depth required is incidental to "Deck Overlay".

Sealed joints installed at locations of existing joints will not be paid for separately, but are incidental to "Deck Overlay".

For raising HMA shoulder to match the PCC overlay of the bridge approach pavement, Class II compaction is required as specified in Section 2303 of the Standard Specifications. Asphalt binder and tack coat are incidental.

Construct "Granular Shoulders, Type B" according to Section 2121 of the Standard Specifications when other than paved shoulders exist.

For joint details, refer to PV-101.

	REVISION	
	New	04-21-15
STANDARD ROAD PLAN		BR-111
REVISIONS: New. Replaces RK-17.		SHEET 1 of 1
APPROVED BY DESIGN METHODS ENGINEER		
PCC OVERLAY OF REINFORCED BRIDGE APPROACH SECTION		