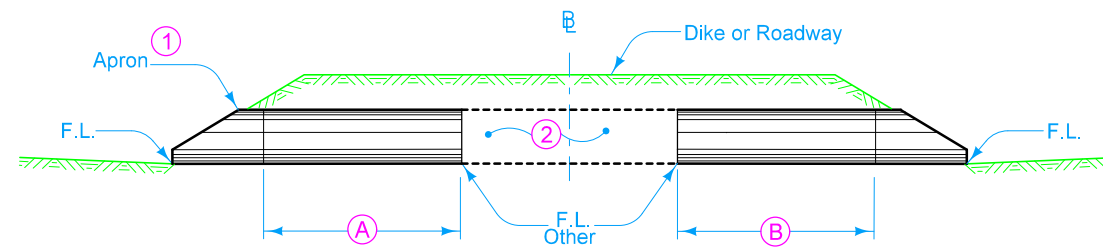


DESIGNER INFORMATION

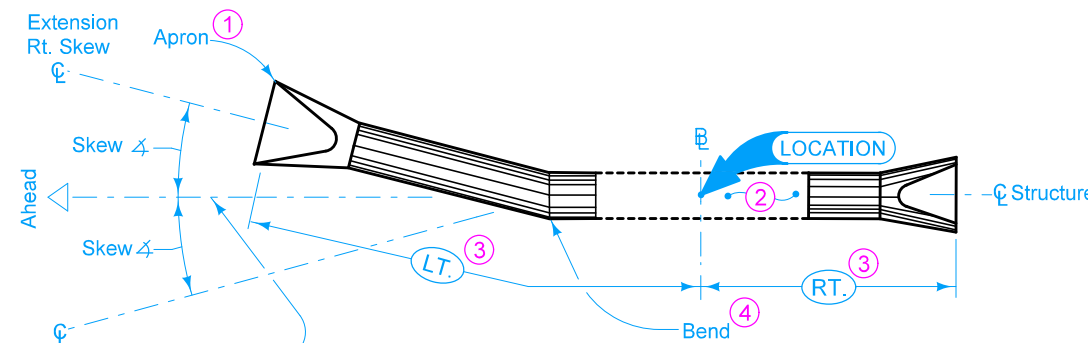
☉ is ☉ of roadway, dike, survey, or other as detailed on plans.

Extend in the direction specified with skew measured from centerline of existing structure.

- ① Refer to the following:
DR-201 for circular concrete.
DR-202 for low clearance concrete.
DR-203 for circular metal.
DR-205 for circular concrete with end wall.
DR-206 for low clearance concrete with end wall.
- ② Existing structure.
- ③ Dimension Rt. or Lt. is measured at ☉ of pipe along laying length.
- ④ Bend may be accomplished by use of metal elbow, Adapter (**DR-122**), Type "D" Section, or Concrete Elbow (**DR-141**) as specified.



SECTION



PLAN

Possible Tabulation:
104-3

 STANDARD ROAD PLAN	REVISION	
	2	10-17-17
	DR-622 SHEET 1 of 1	

REVISIONS: Added Designer Info button.


 APPROVED BY DESIGN METHODS ENGINEER

**PIPE EXTENSION
 HORIZONTAL BEND
 ONE OR BOTH ENDS**