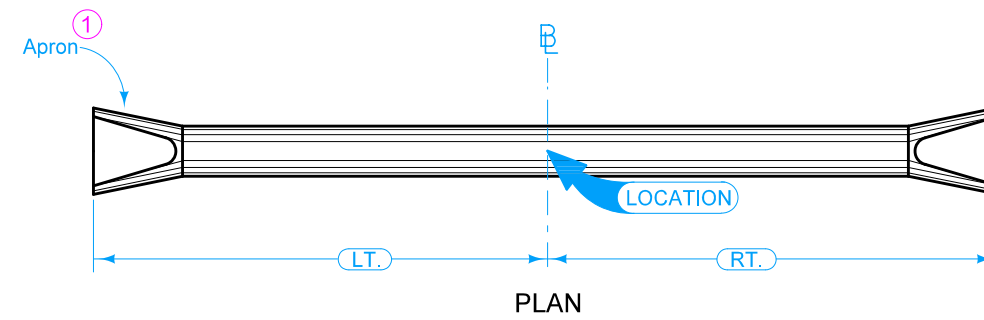
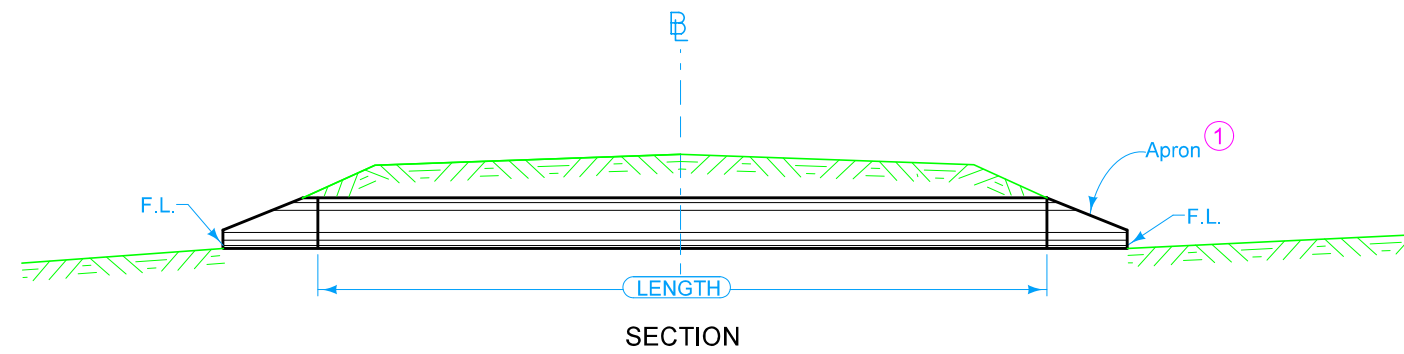




℄ is C of roadway, dike, survey, or other as detailed on plans.

Skew angle is the angle which one end of the pipe is ahead (by stationing) of line perpendicular to the ℄.
(Example: skew Rt. ahead 30 degrees)

- ① Refer to the following:
 DR-201 for circular concrete.
 DR-202 for low clearance concrete.
 DR-203 for circular metal.
 DR-204 for arch metal (metal pipe only).
 DR-205 for circular concrete with end wall.
 DR-206 for low clearance concrete with end wall.



Possible Tabulation:
104-3

	REVISION	
	2	04-18-17
STANDARD ROAD PLAN		DR-651
		SHEET 1 of 1
REVISIONS: Modified note 1 to include references to additional apron types.		
 APPROVED BY DESIGN METHODS ENGINEER		
UNCLASSIFIED PIPE CULVERT		