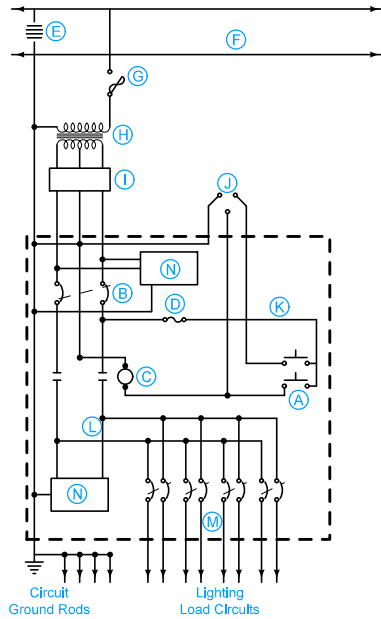
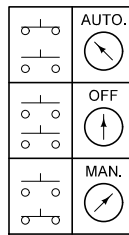


- A. Test Switch
- B. Line Breaker
- C. Contactor
- D. Control Fuse
- E. Lightning Arrestor
- F. Primary Line
- G. Primary Fused Cutout
- H. Distribution Transformer
- I. Meter
- J. Photoelectric Control
- K. Control Circuits
- L. Line Circuits
- M. Branch Circuit Breakers
- N. Surge Protection Device

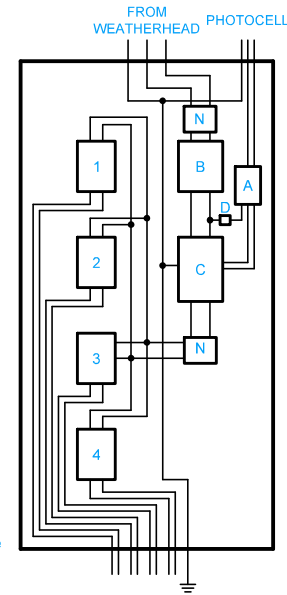


SCHMATIC DIAGRAM



SWITCH OPERATION

- A. Test Switch
- B. Line Breaker (2P.)
- C. Contactor (2P.)
- D. Control Fuse
- 1 thru 4. Branch Circuit Breakers (2P.)
- N Surge Protection Device

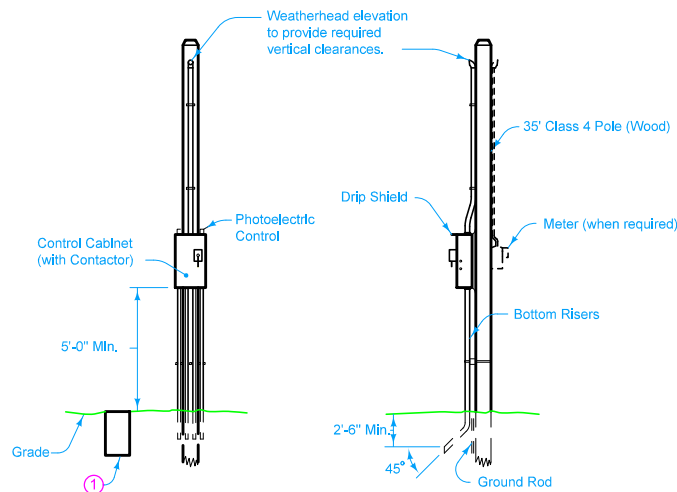


TO LIGHTING CIRCUITS AND GROUND RODS  
CONTROL PANEL WIRING DIAGRAM

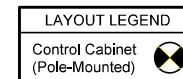
Alternate designs may be submitted to the Engineer for approval.

① Locate handholes where shown on plans, as well as where control cabinets are at low points in the conduit system, which could result in the low points becoming flooded with water entering at other points in the conduit system.

Possible Contract Item:  
Control Cabinet



TYPICAL INSTALLATION



	REVISION
	New 10-21-14
STANDARD ROAD PLAN	LI-151
REVISIONS: New. Replaces RM-35.	SHEET 1 of 1
 APPROVED BY DESIGN METHODS ENGINEER	
<b>CONTROL CABINET (POLE-MOUNTED)</b>	