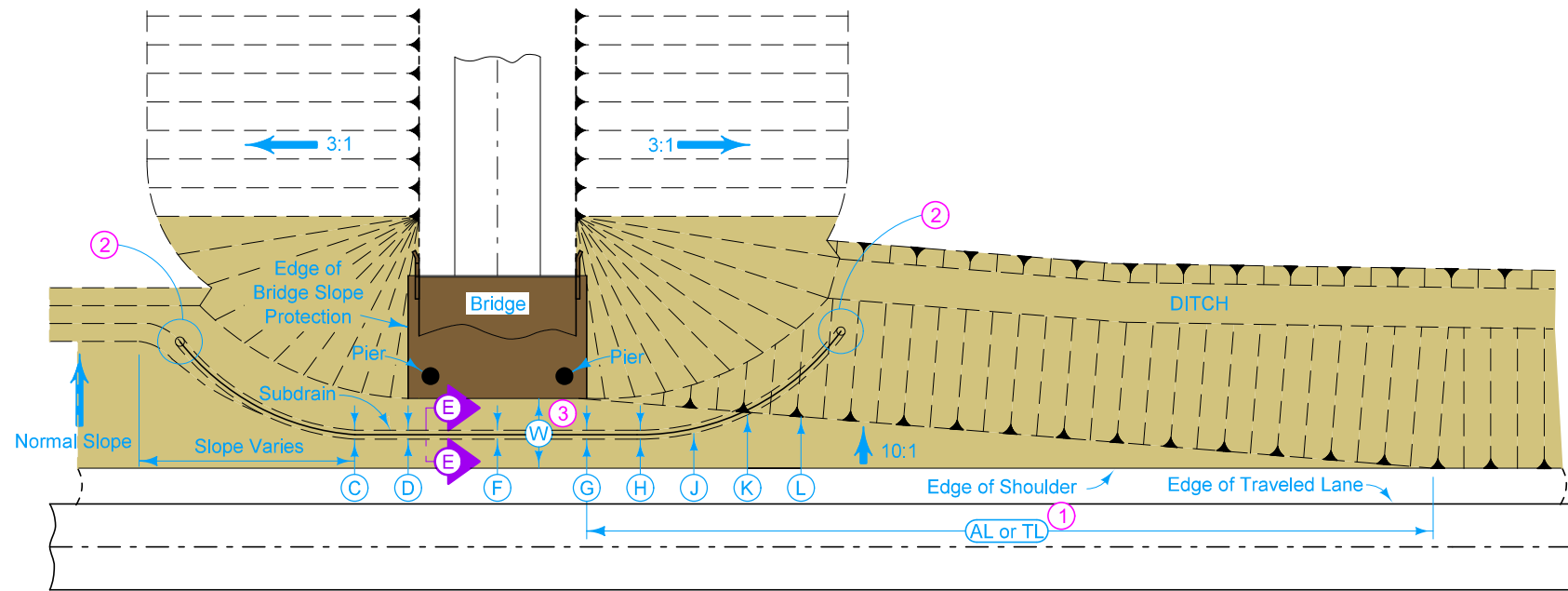


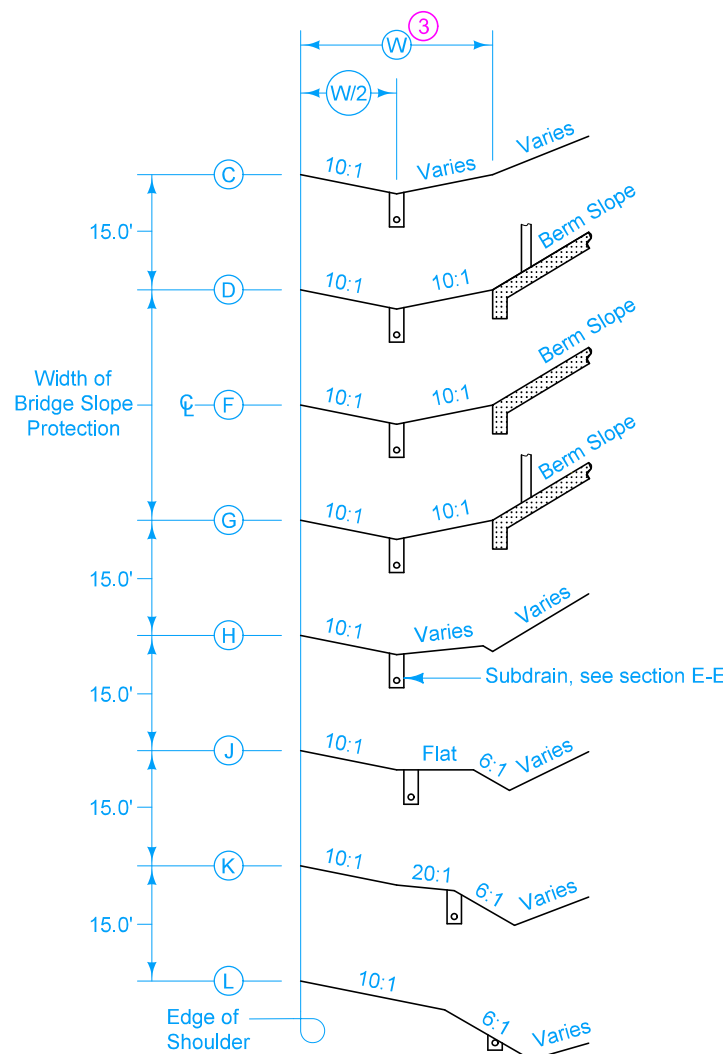
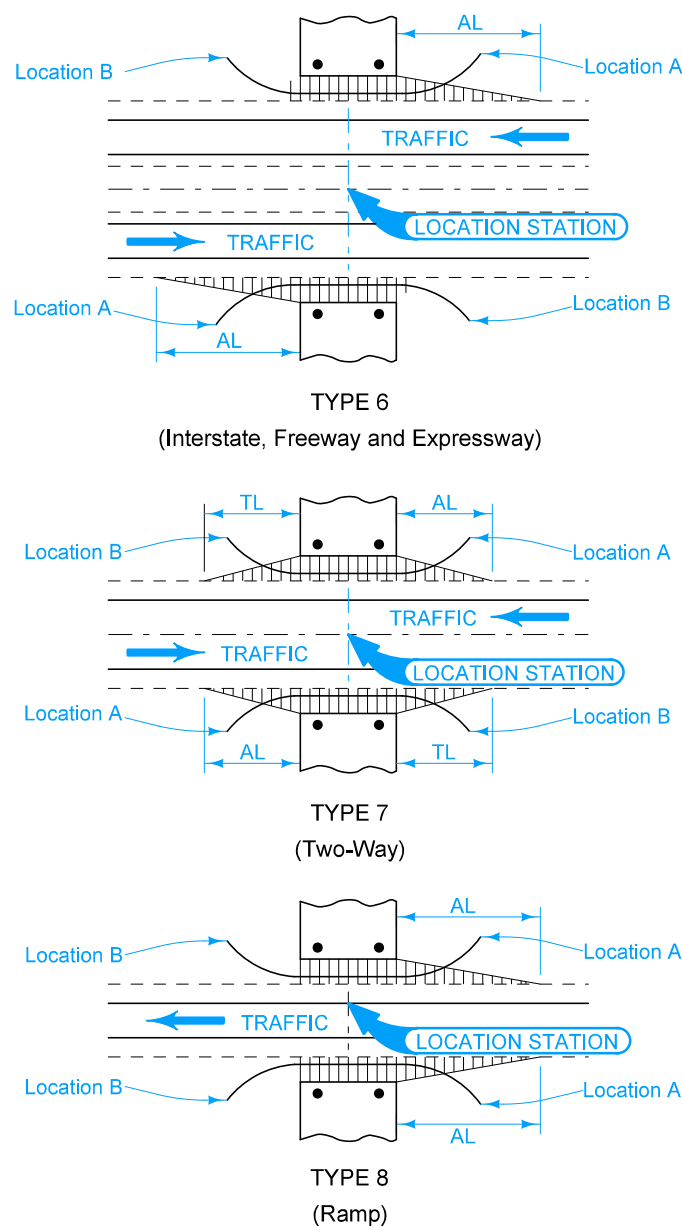
Earthwork for construction of the grading at side piers has been included in the tabulation of earthwork quantities. Drainage structure requirements in conjunction with the grading at side piers have also tabulated elsewhere in the plans.

When a subdrain installation does not have a subdrain outlet on the end, cap that end with methods approved by the Engineer.

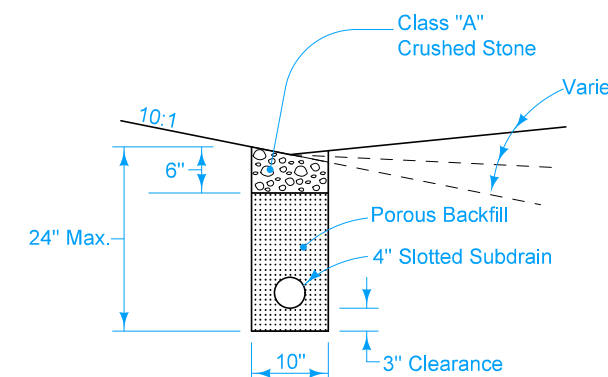
- ① (AL) or (TL) is the length measured from the edge of the bridge slope protection to a point on the shoulder edge.
- ② See typical section on Standard Road Plan DR-306.
- ③ (W) is the length measured from the shoulder edge to the toe of the berm in the area of bridge slope protection.



SITUATION PLAN



TYPICAL SECTIONS



SECTION E-E

Possible Contract Items:
Longitudinal Subdrain (Shoulder), 4-inch Subdrain Outlet (DR-306)

Possible Tabulation:
104-12

IOWA DOT	REVISION	
	2	10-17-17
STANDARD ROAD PLAN		EW-211
		SHEET 1 of 1

REVISIONS: Clarified dimensions of Class "A" Crushed Stone and Porous Backfill in Section E-E. Modified general notes and Possible Contract Items.

Shawn Miller
APPROVED BY DESIGN METHODS ENGINEER

SPECIAL GRADING AT SIDE PIERS