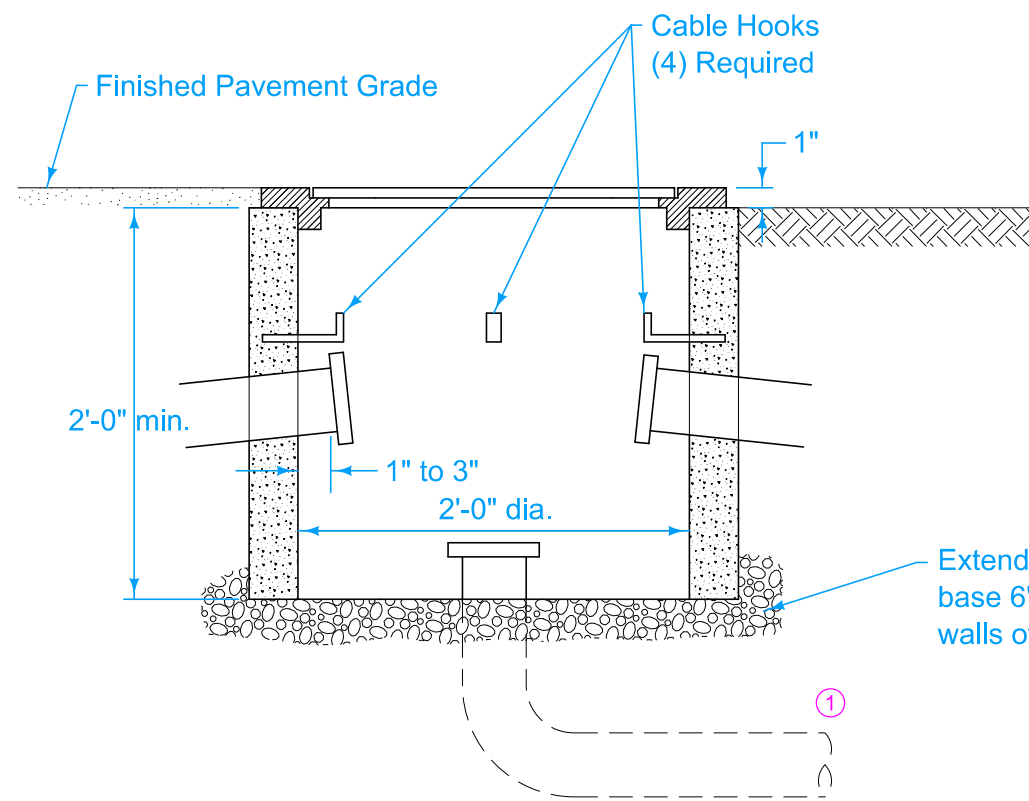
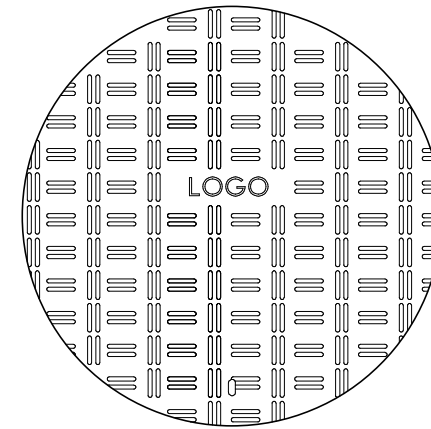
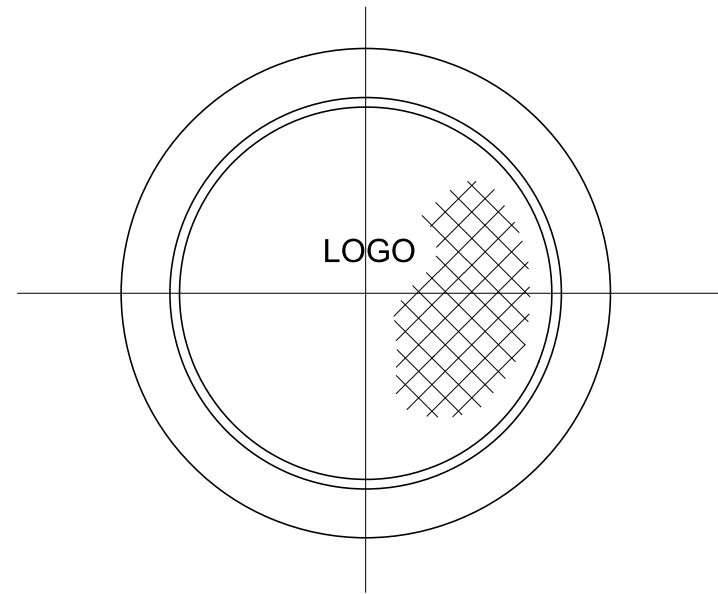
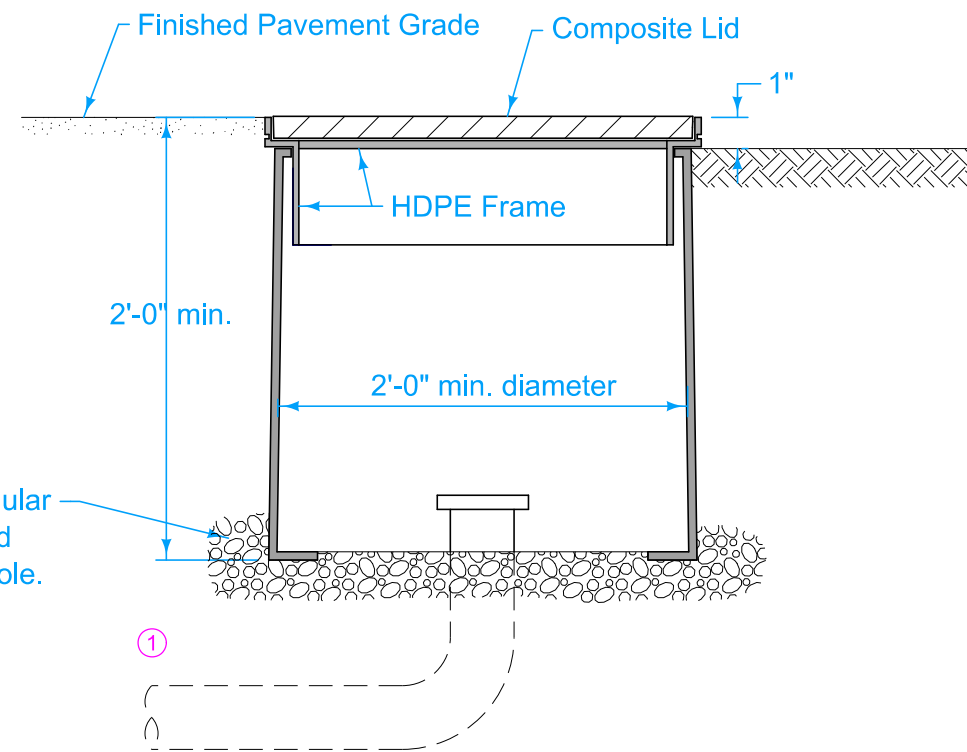


① Potential conduit entry through bottom of handhole.



PRECAST CONCRETE HANDHOLE (TYPE I)



HDPE HANDHOLE (TYPE V)

FIGURE 8010.103 SHEET 1 OF 2

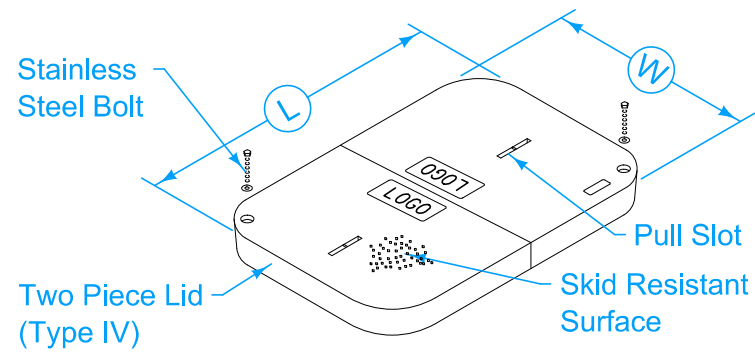
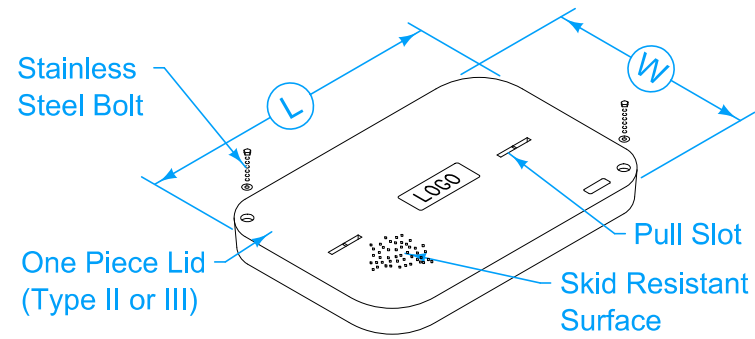
SUDAS	IOWA DOT	REVISION	
		2	04-19-22
FIGURE 8010.103	STANDARD ROAD PLAN	LI-103	
		SHEET 1 of 2	

REVISIONS: Added option for conduit to enter through the bottom of handhole.

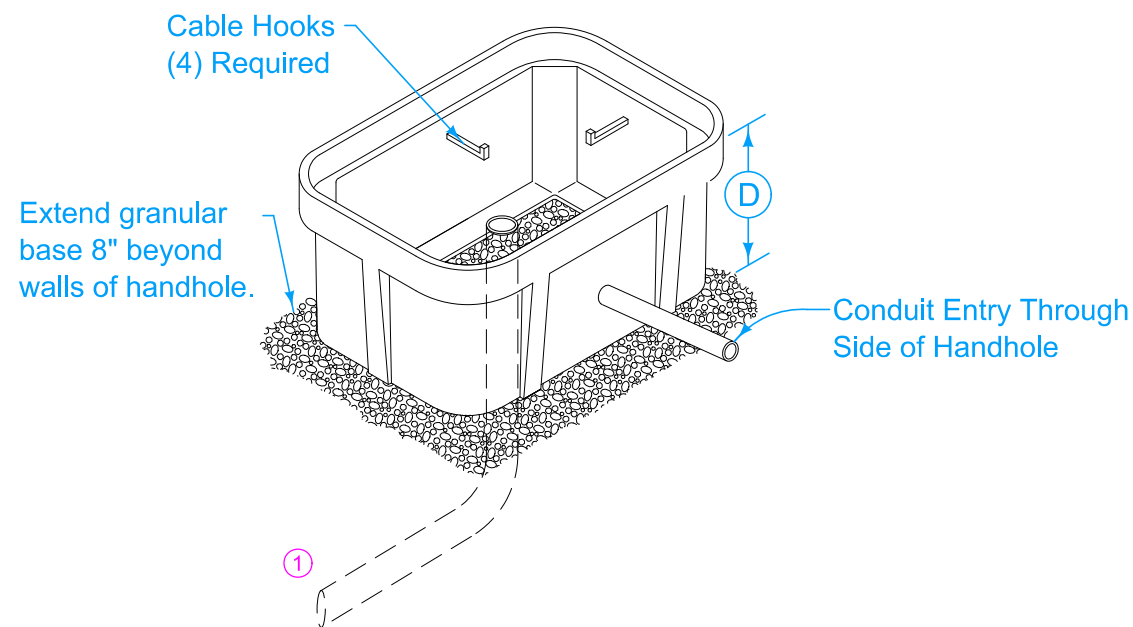
Paul D. Wrigand
 SUDAS DIRECTOR

Stuart Miller
 DESIGN METHODS ENGINEER

CONDUIT AND PRECAST HANDHOLES

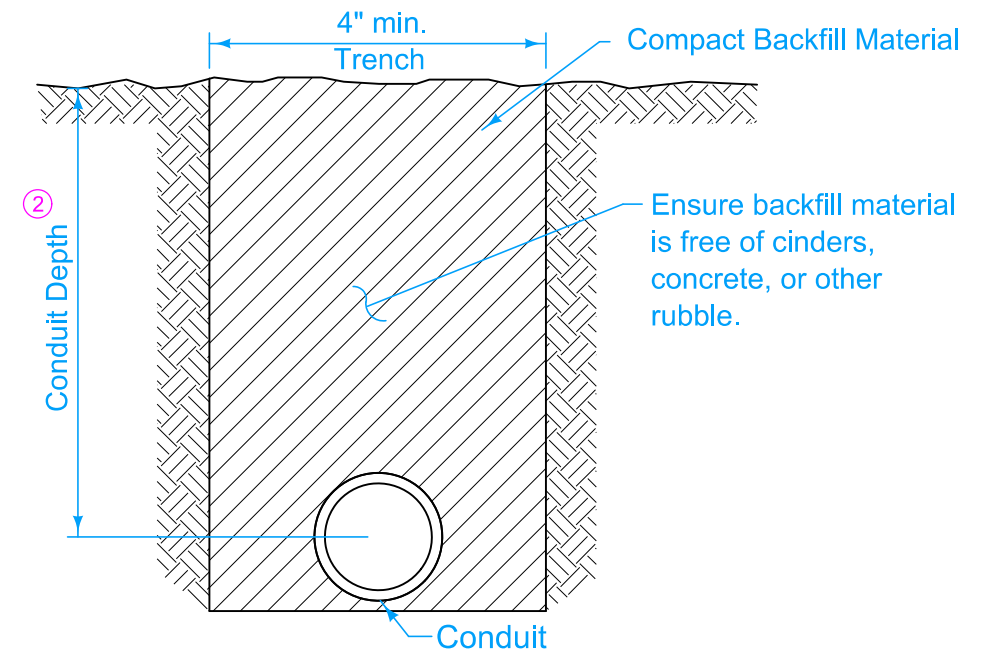


HANDHOLE DIMENSIONS TABLE (NOMINAL)			
TYPE	(L)	(W)	(D)
II	30"	17"	24"
III	36"	24"	30"
IV	48"	30"	36"



PRECAST CONCRETE COMPOSITE HANDHOLE

- ① Potential conduit entry through bottom of handhole.
- ② For conduit behind curb, place 24 to 48 inches below top of curb. For conduit under roadway, place 30 to 60 inches below the gutterline.



CONDUIT IN TRENCH

SUDAS	IOWA DOT	REVISION	
		2	04-19-22
FIGURE 8010.103	STANDARD ROAD PLAN	LI-103	
		SHEET 2 of 2	

REVISIONS: Added option for conduit to enter through the bottom of handhole.

Paul D. Wiegand
 SUDAS DIRECTOR

Stuart Miller
 DESIGN METHODS ENGINEER