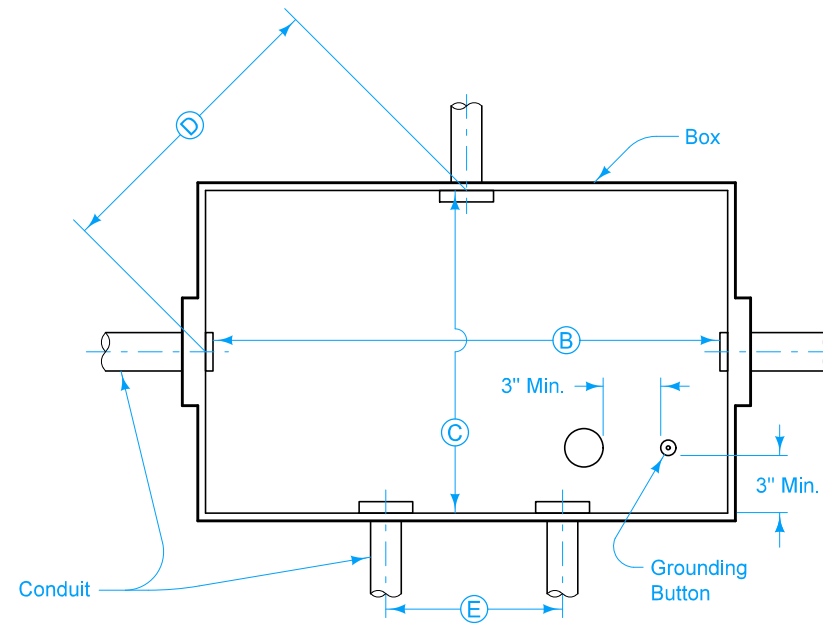
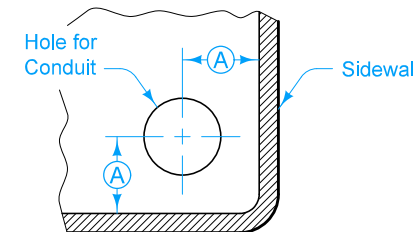


JUNCTION BOX



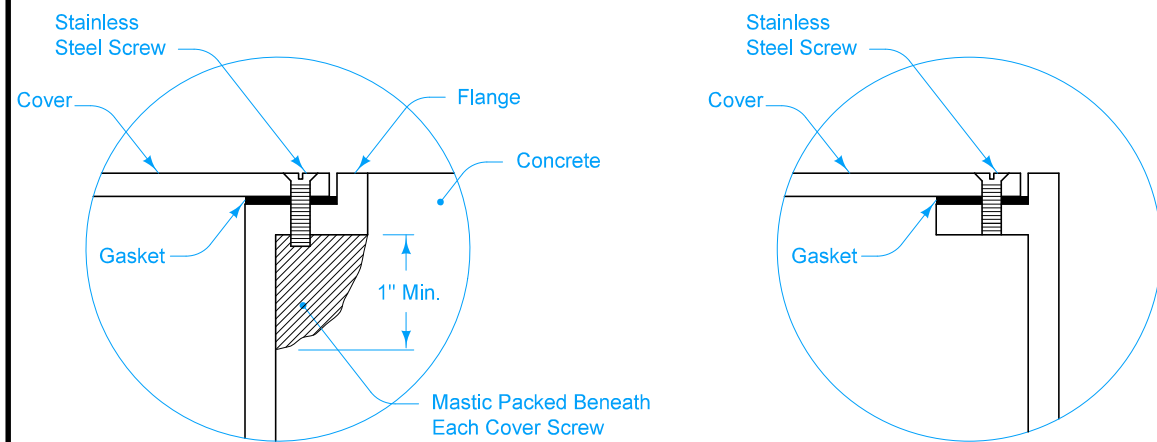
JUNCTION BOX REQUIREMENTS

For straight pulls Min. 'B' = 8 diameters of larger conduit
 For opposite wall Min. 'C' = 6 diameters of larger conduit
 For right angle turns Min. 'D' = 8 diameters of larger conduit



CONDUIT LOCATION FOR LOCK NUT AND BUSHING CLEARANCE - 'A'										
Conduit Size	1/2"	3/4"	1"	1 1/4"	1 1/2"	2"	2 1/2"	3"	3 1/2"	4"
Minimum Clearance	1"	1"	1 1/8"	1 3/8"	1 1/2"	1 3/4"	2 1/8"	2 1/2"	2 7/8"	3 1/8"

MINIMUM SPACING BETWEEN CONDUIT CENTERS - 'E'										
Size	1/2"	3/4"	1"	1 1/4"	1 1/2"	2"	2 1/2"	3"	3 1/2"	4"
1/2"	1 1/4"	1 3/8"	1 5/8"	1 7/8"	2"	2 3/8"	2 5/8"	3"	3 1/4"	3 5/8"
3/4"		1 1/2"	1 3/4"	2"	2 1/8"	2 1/2"	2 3/4"	3 1/8"	3 3/8"	3 3/4"
1"			2"	2 1/4"	2 3/8"	2 3/4"	3"	3 3/8"	3 5/8"	4"
1 1/4"				2 1/2"	2 5/8"	3"	3 1/4"	3 5/8"	3 7/8"	4 1/4"
1 1/2"					2 3/4"	3 1/8"	3 3/8"	3 3/4"	4"	4 3/8"
2"						3 1/2"	3 3/4"	4 1/4"	4 3/8"	4 3/4"
2 1/2"							4"	4 3/8"	4 5/8"	5"
3"								4 3/4"	5"	5 3/8"
3 1/2"									5 1/4"	5 5/8"
4"										6"



CORNER DETAILS OF JUNCTION BOX

Alternate design may be submitted to the Engineer for approval.

Approved galvanized steel covers may be substituted for cast iron.

Fit grounding buttons with 3/8" x 3/4" brass screws unless specified otherwise.

Type, size and location of holes will be shown on the plans.

Use slip holes only for junction box drains unless specified otherwise.

① In locations subject to pedestrian traffic, install junction box covers with approved anti-skid pattern.

Contract Items:

Handholes and Junction Boxes

<p>IOWA DOT</p> <p>STANDARD ROAD PLAN</p> <p>REVISIONS: New. Replaces RM-37.</p> <p><i>Stuart Miller</i> APPROVED BY DESIGN METHODS ENGINEER</p> <p>JUNCTION BOX (CAST IRON)</p>	REVISION	
	New	10-21-14
	<p>LI-104</p> <p>SHEET 1 of 1</p>	