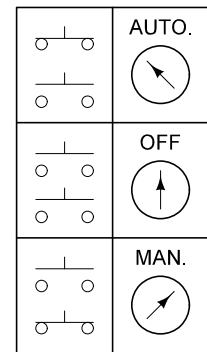
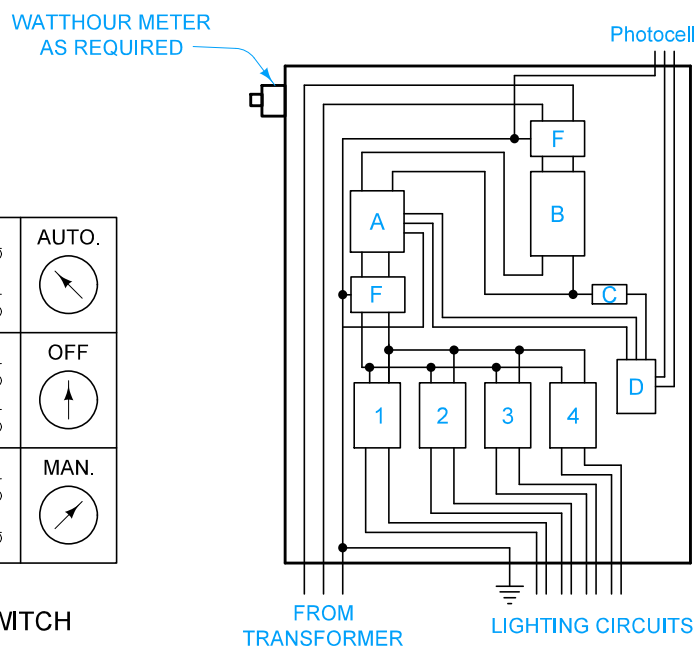


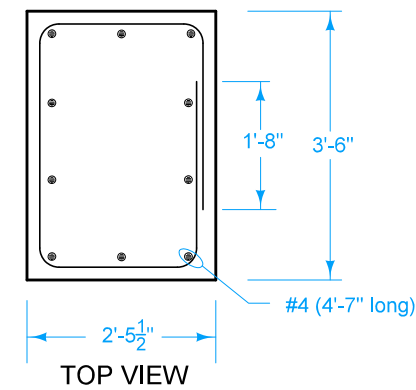
SCHEMATIC DIAGRAM



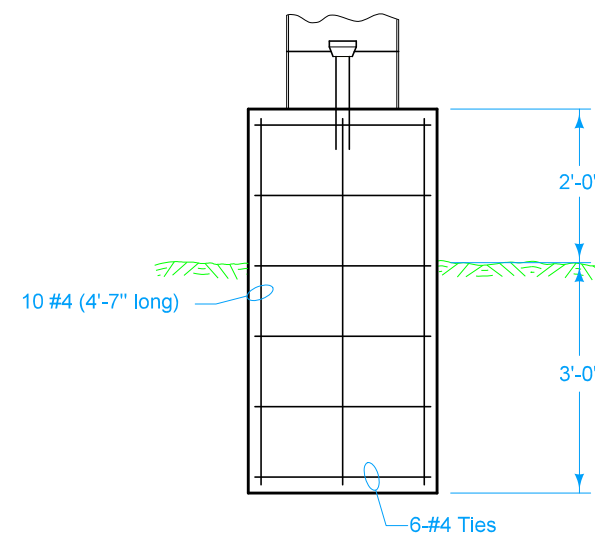
SWITCH OPERATION



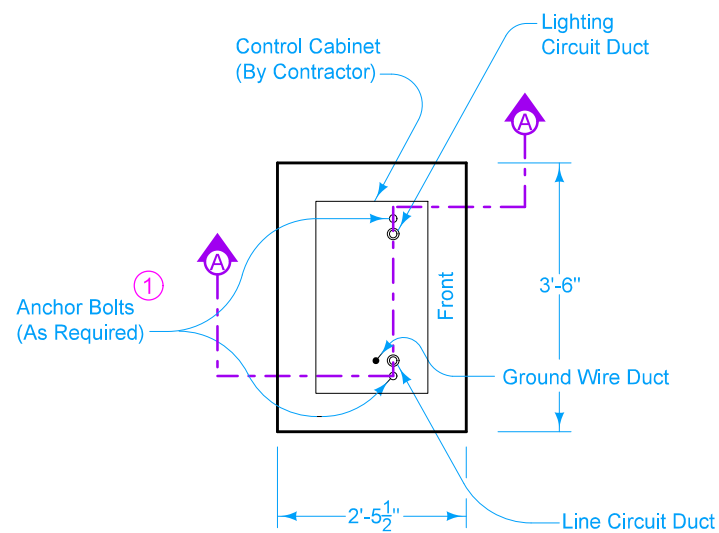
CONTROL PANEL WIRING DIAGRAM



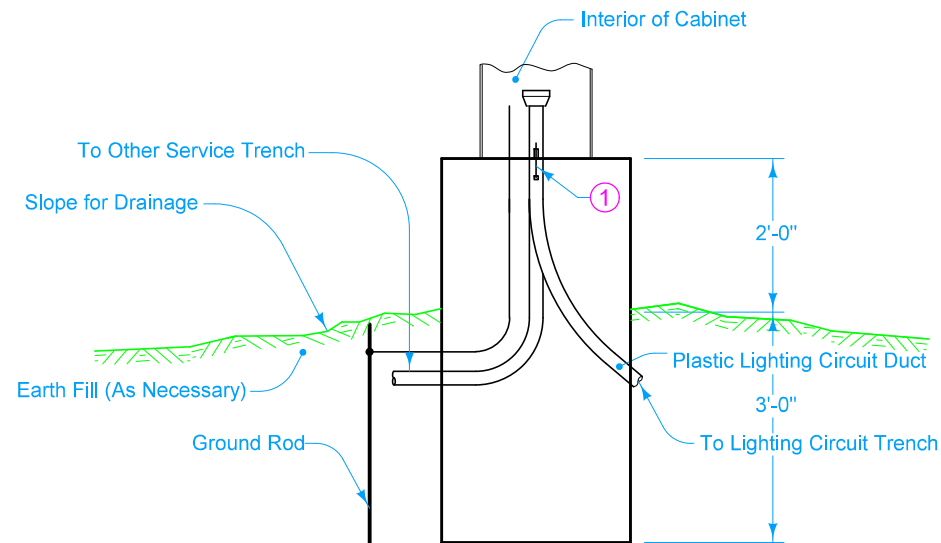
TOP VIEW



SIDE VIEW
CONTROLLER PAD



PLAN VIEW



SECTION A-A

INSTALLATION DETAILS

ESTIMATED QUANTITIES (One Pad)	
Reinforcing Steel	79.5 lbs.
Structural Concrete	1.6 yd 3

LAYOUT LEGEND	
Control Cabinet (Pad-Mounted)	

Alternate design may be submitted to the Engineer for approval.

All circuit ducts shown, including ground wire duct, are included in the estimated quantities for plastic conduit contained in the tabulations.

The estimated quantities for wire and cable contained in the tabulations include connections to the loadside terminals of the branch circuit breakers.

The No. 12, AWG grounding jumper for the photoelectric control is incidental to the length of ground wire.

① 1/2" x 4" long Bolts (2 required)

Possible Contract Item:
Control Cabinet

	REVISION	
	New	10-21-14
STANDARD ROAD PLAN		LI-152
REVISIONS: New, Replaces RM-36.		SHEET 1 of 1
 APPROVED BY DESIGN METHODS ENGINEER		
CONTROL CABINET (PAD-MOUNTED)		