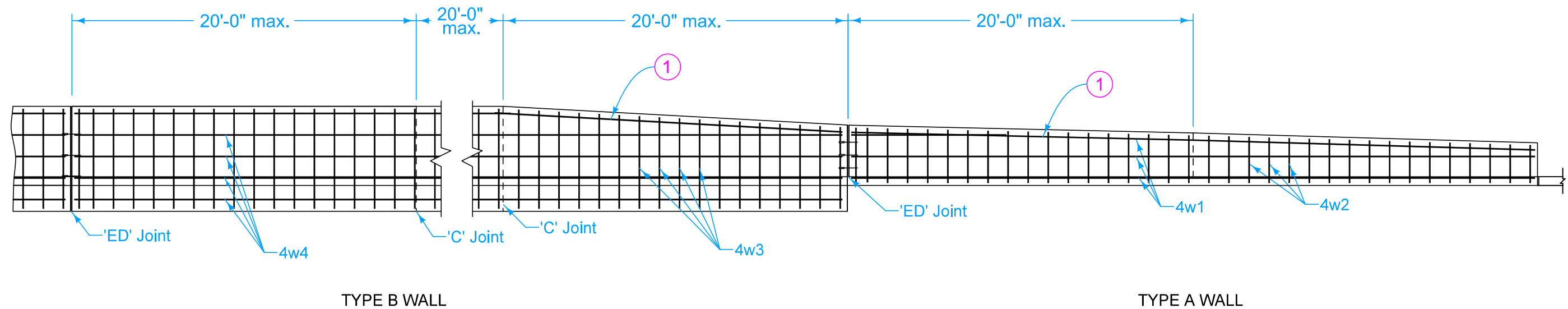
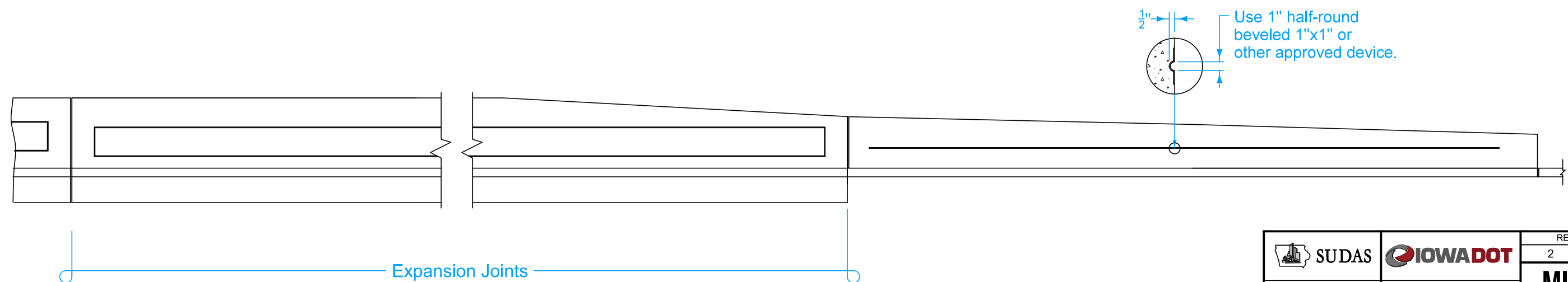


Provide a minimum concrete cover to near reinforcement of 1 1/2 inches. Provide 3 inches minimum cover at the ends of bars.

- ① Top bar parallel to top of wall. Lap 6 inch minimum as necessary. Tie securely.



TYPICAL LONGITUDINAL SECTION OF RETAINING WALL



TYPICAL RUSTICATION DETAIL

FIGURE 9072.221 SHEET 1 OF 2

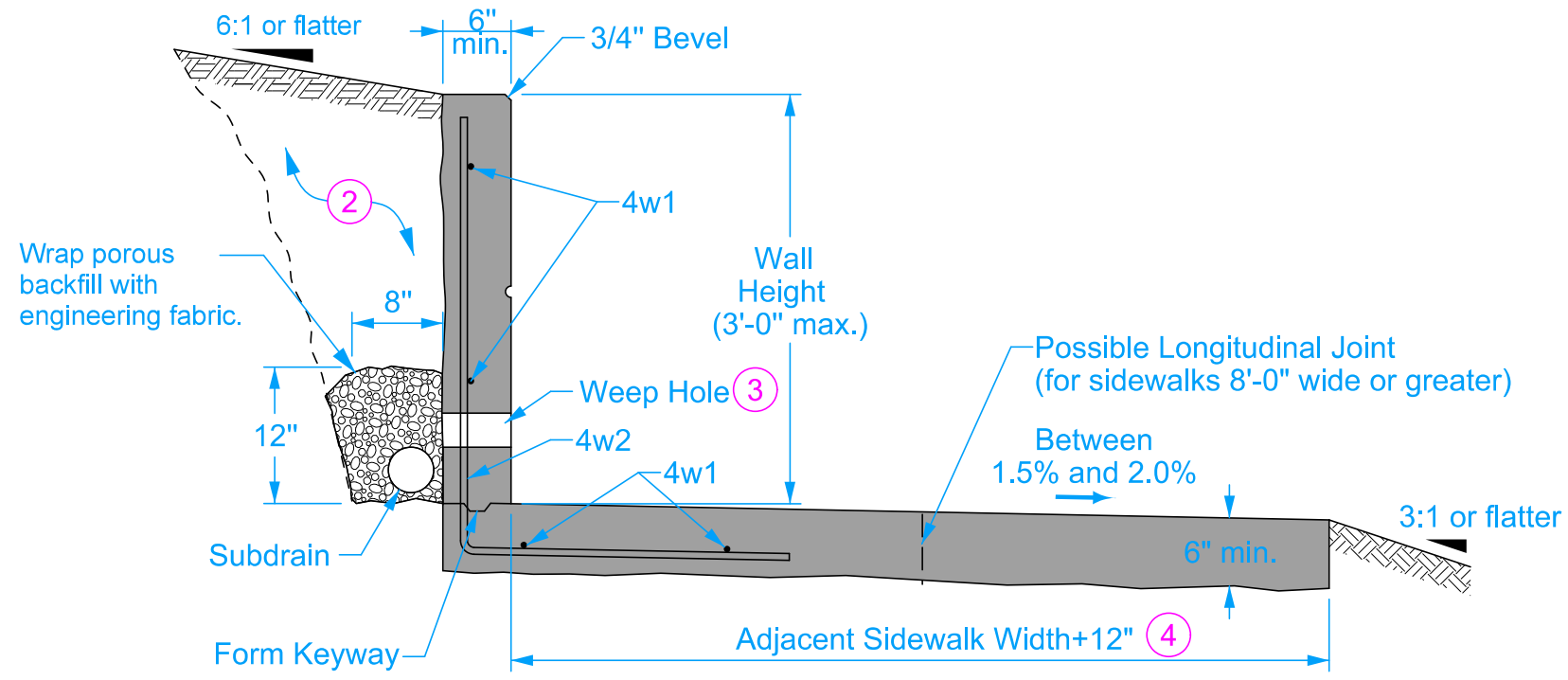
SUDAS	IOWA DOT	REVISION	
		2	10-20-15
FIGURE 9072.221	STANDARD ROAD PLAN	MI-221	
		SHEET 1 of 2	

REVISIONS: Replaced DOT and SUDAS logos with new versions.

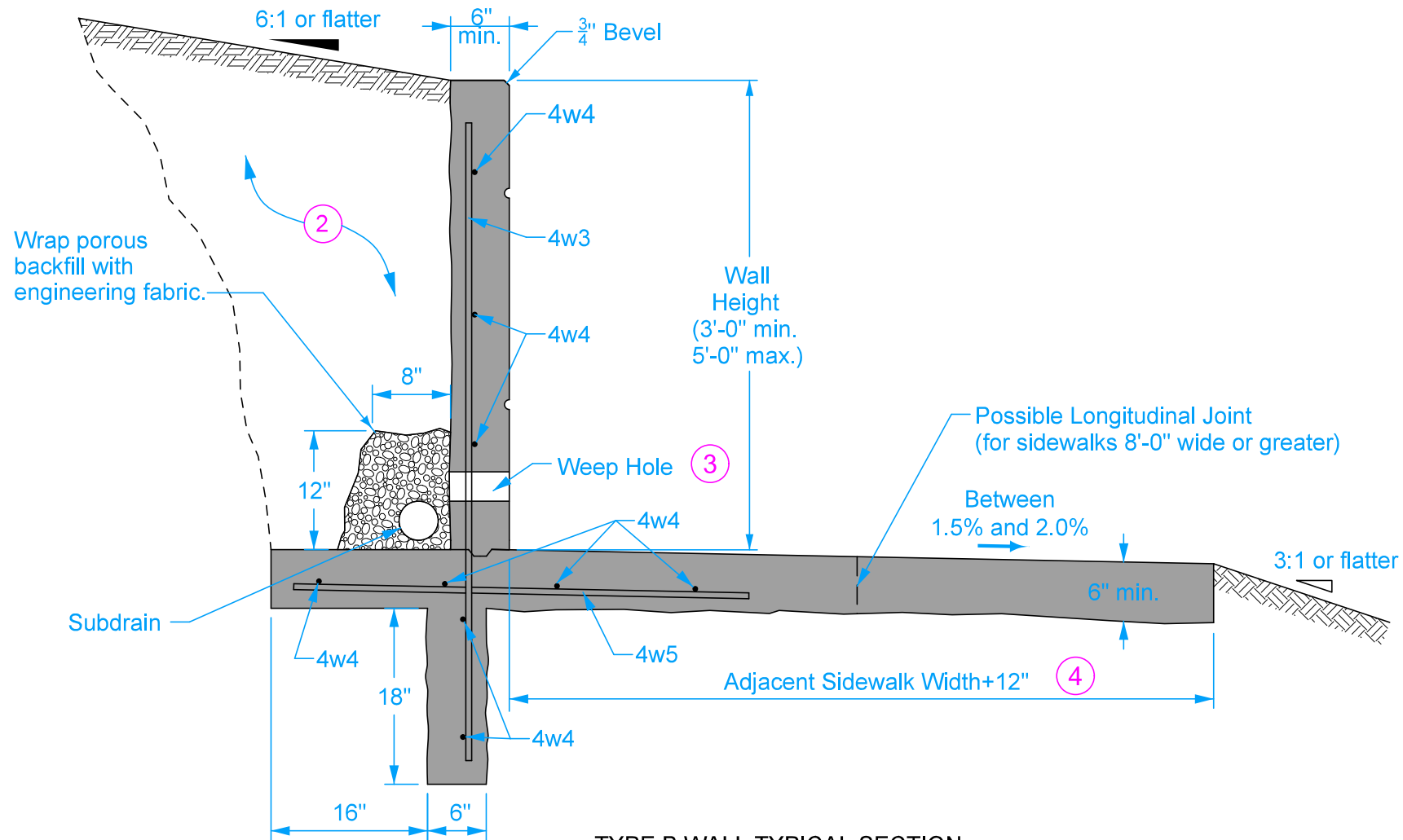
Paul D. Wrigand
 SUDAS DIRECTOR

Stuart Miller
 DESIGN METHODS ENGINEER

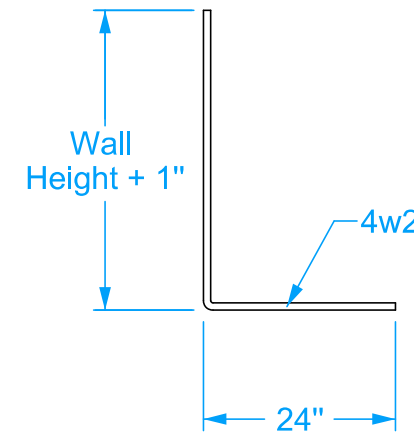
COMBINED RETAINING WALL - SIDEWALK



TYPE A WALL TYPICAL SECTION



TYPE B WALL TYPICAL SECTION



BENT BARS

REINFORCING BAR LIST					
Wall Type	Mark	Size	Shape	Length	Spacing
Type A	4w1	4	—	Variable	15"
	4w2	4	L	Variable	14"
Type B	4w3	4	—	Wall Height + 18"	14"
	4w4	4	—	Variable	15"
	4w5	4	—	3'-10"	14"

Provide a minimum concrete cover to near reinforcement of 1 1/2 inches. Provide 3 inches minimum cover at the ends of bars.

- ② Excavate and place backfill material as necessary.
- ③ Provide 3 inch diameter weep holes at 8 foot intervals. Install rodent guards in weep holes. Align bottom of weep hole with top of subdrain.
- ④ Additional 12 inch width is adjacent to wall.

SUDAS IOWA DOT	REVISION 2 10-20-15
	MI-221 SHEET 1 of 2
REVISIONS: Replaced DOT and SUDAS logos with new versions.	
 SUDAS DIRECTOR	 DESIGN METHODS ENGINEER
COMBINED RETAINING WALL - SIDEWALK	