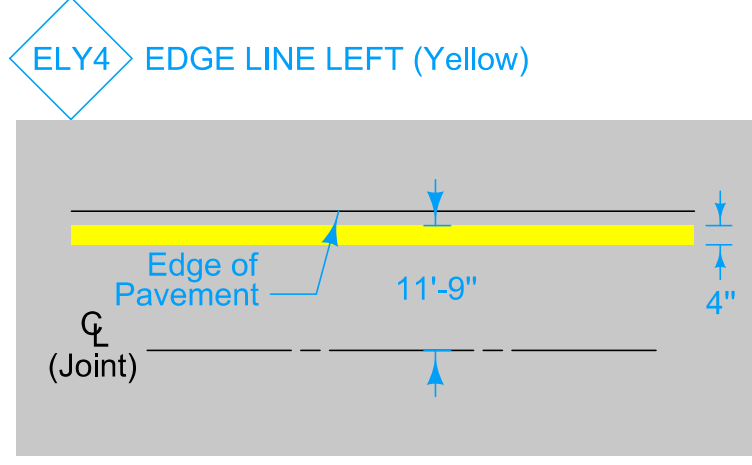
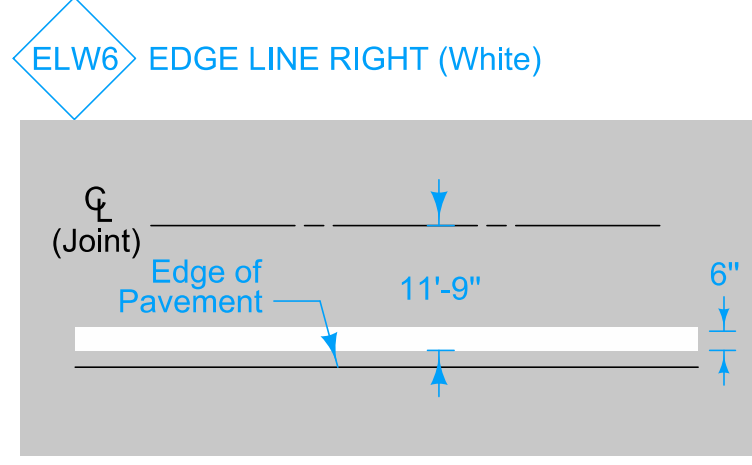
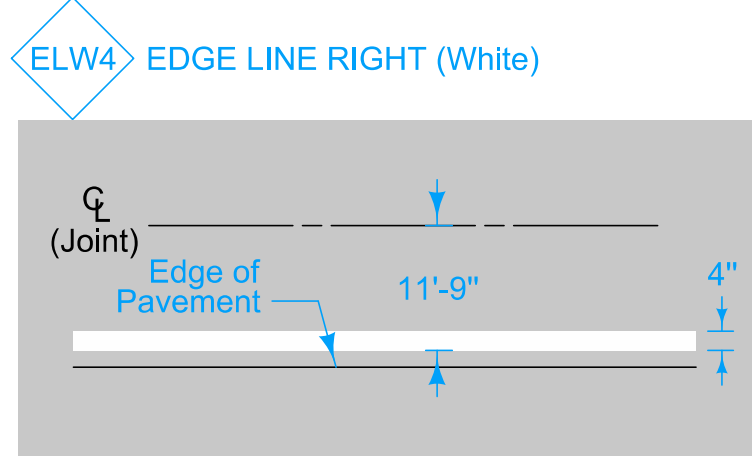
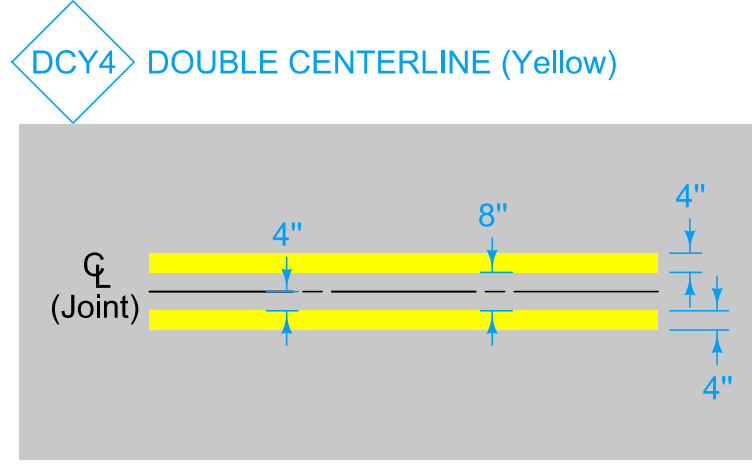
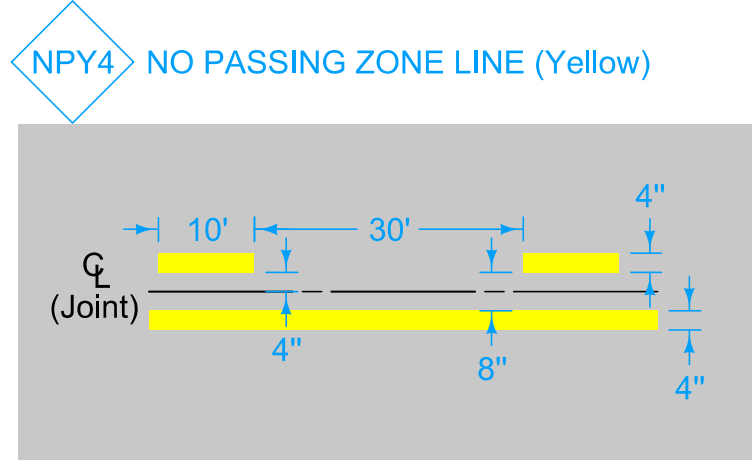


Lane layouts shown are typical.

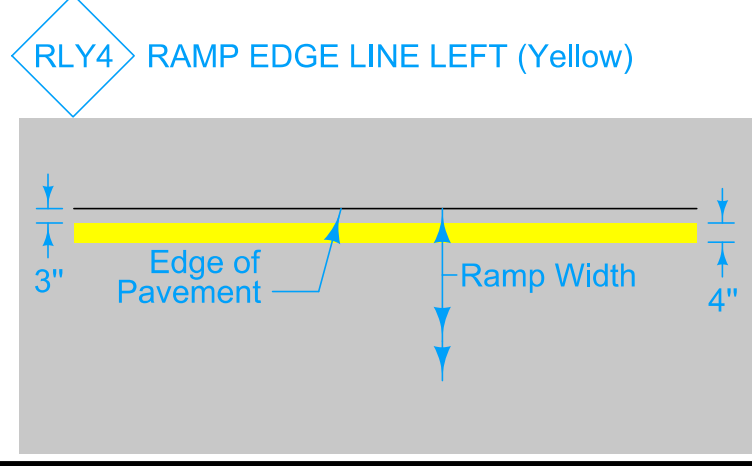
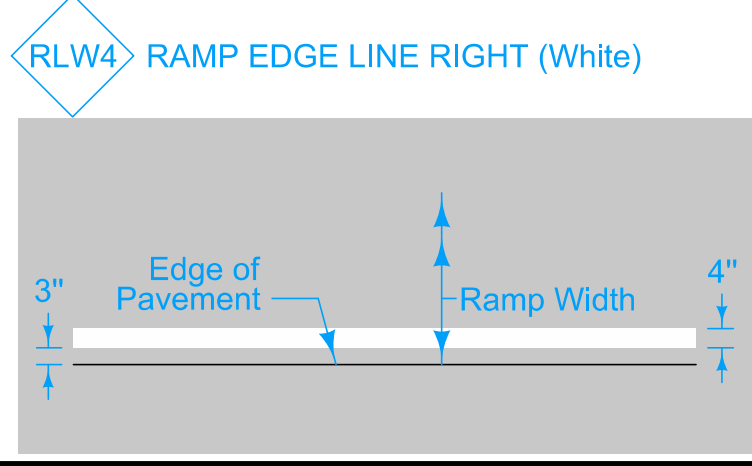
Centerlines and lane lines may be painted either side of centerline.

Drawings on sheets 1 and 2 are oriented to represent direction of traffic moving from left to right.



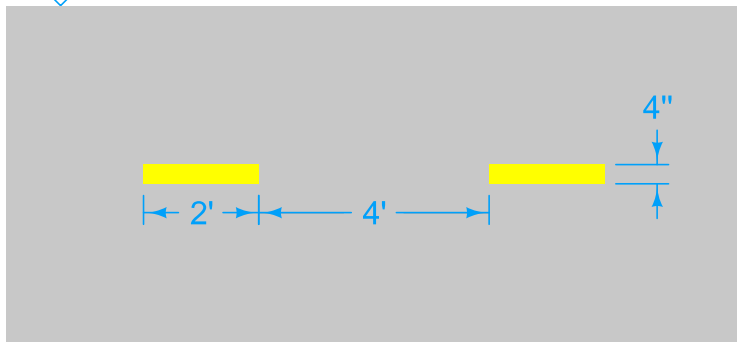
Possible Contract Item:  
Pavement Marking Line Items

Possible Tabulation:  
108-22

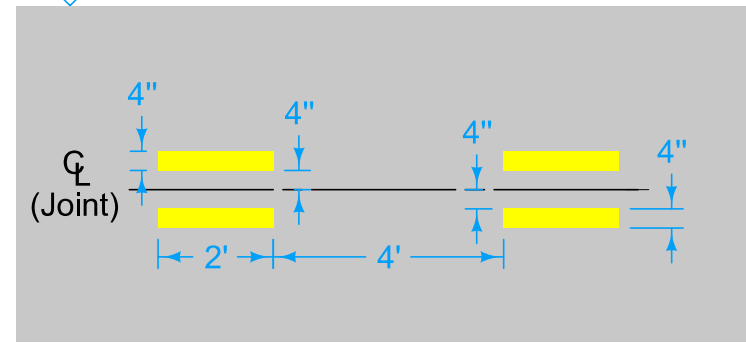


	REVISION	
	3	04-21-20
<b>STANDARD ROAD PLAN</b>		<b>PM-110</b>
REVISIONS: Modified NPY4.		SHEET 1 of 3
 APPROVED BY DESIGN METHODS ENGINEER		
<b>LINE TYPES</b>		

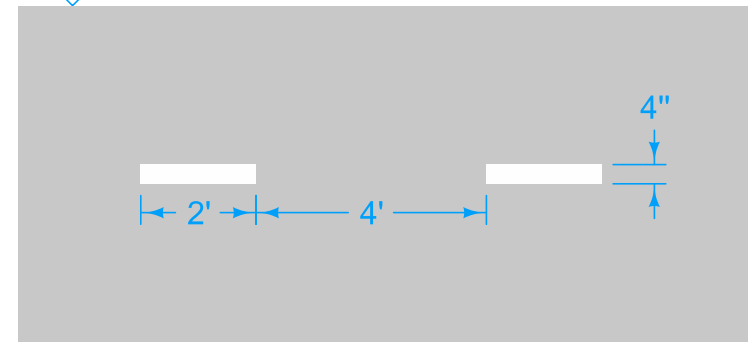
**DLY4** DOTTED LINE (Yellow)



**DDY4** DOUBLE DOTTED LINE (Yellow)



**DLW4** DOTTED LINE (White)



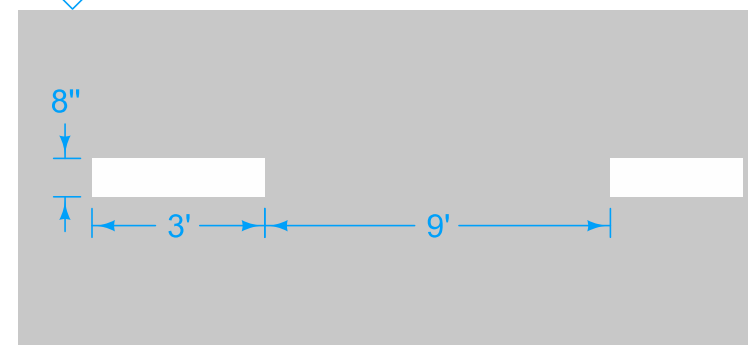
**CHY8** CHANNELIZING LINE (Yellow)



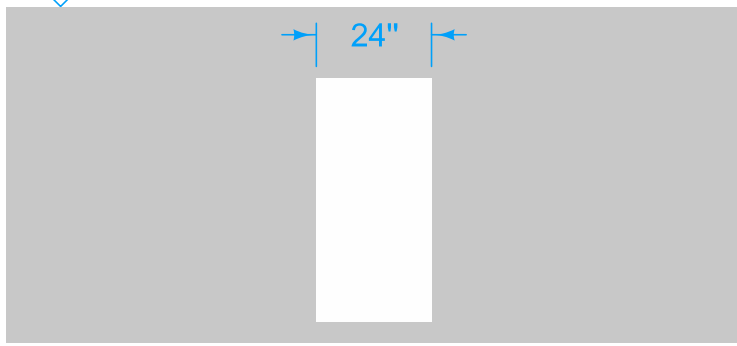
**CHW8** CHANNELIZING LINE (White)



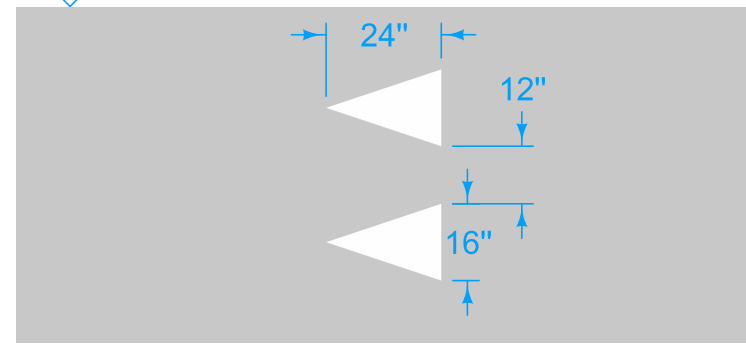
**LDW8** LANE DROP (White)



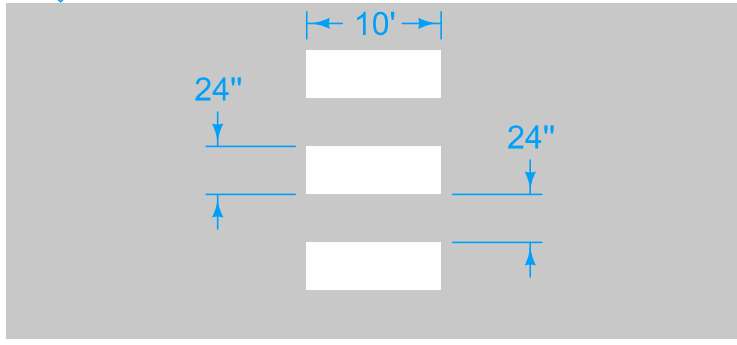
**SLW2** STOP LINE (White)



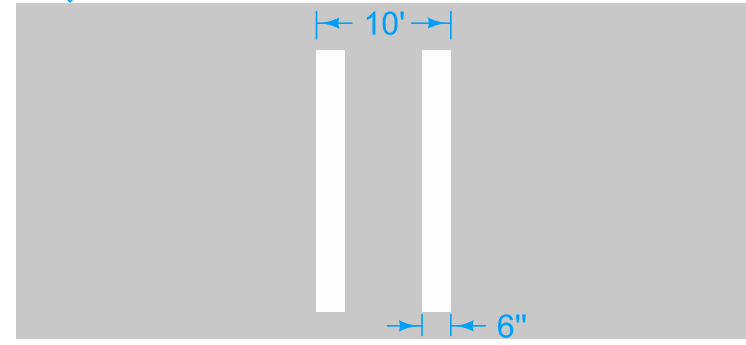
**YLV2** YIELD LINE (White)



**CBW6** CROSSWALK BAR (White)

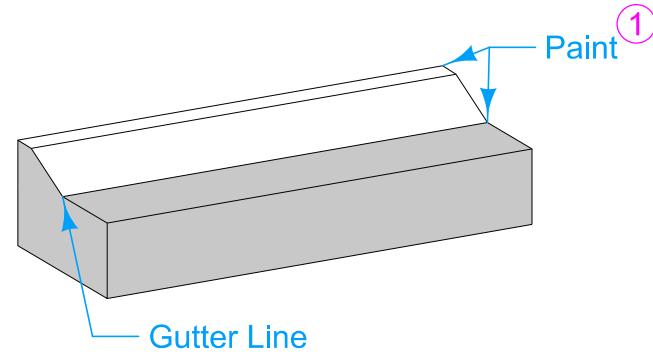


**CLW6** CROSSWALK LINE (White)

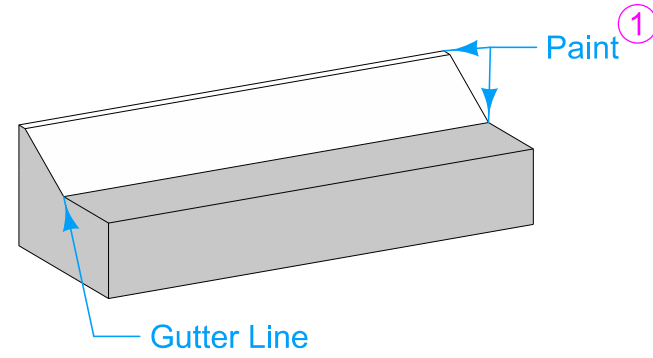


	REVISION	
	3	04-21-20
<b>STANDARD ROAD PLAN</b>		<b>PM-110</b>
REVISIONS: Modified NPY4.		SHEET 2 of 3
APPROVED BY DESIGN METHODS ENGINEER		
<b>LINE TYPES</b>		

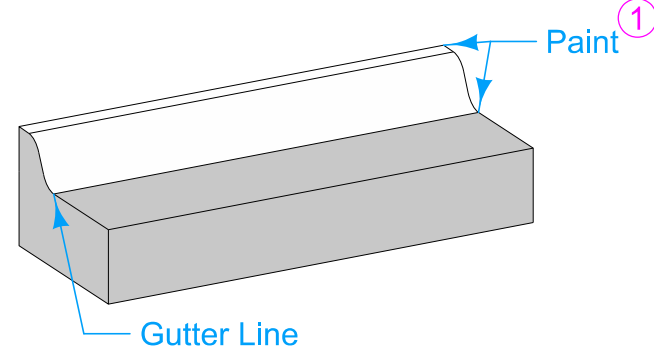
SPW4 SLOPED CURB 4" (White)



SPW6 SLOPED CURB 6" (White)

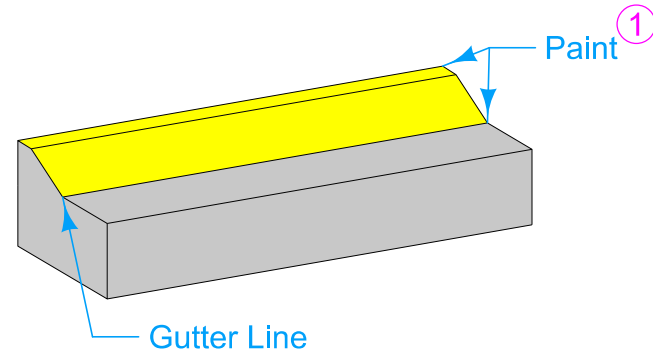


STW6 STANDARD CURB 6" (White)

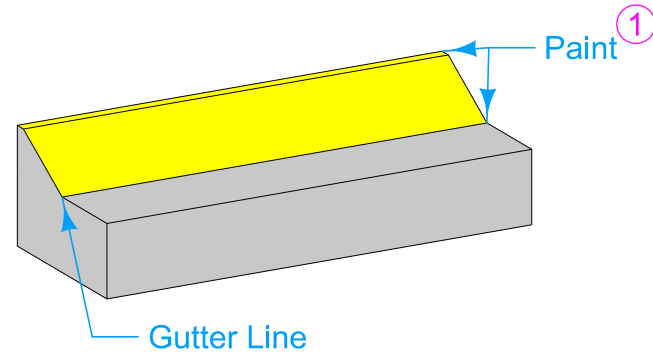


① Apply paint from back of curb to gutter line.

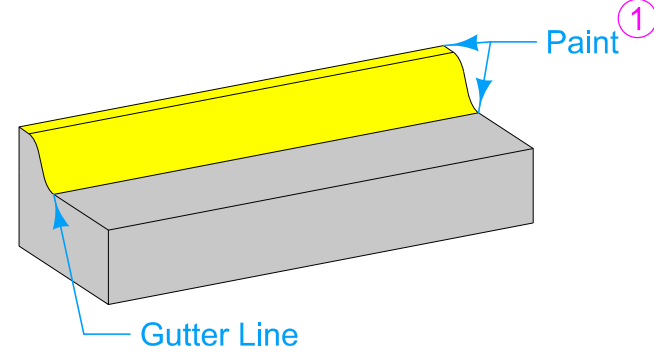
SPY4 SLOPED CURB 4" (Yellow)



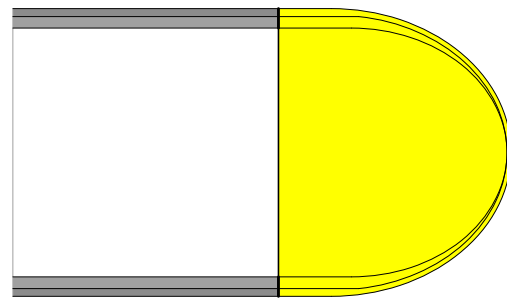
SPY6 SLOPED CURB 6" (Yellow)



STY6 STANDARD CURB 6" (Yellow)



MNY4 MEDIAN NOSE (Yellow)



<b>IOWA DOT</b>	REVISION	
	3	04-21-20
<b>STANDARD ROAD PLAN</b>		<b>PM-110</b>
REVISIONS: Modified NPY4.		SHEET 3 of 3
<i>Steve Miller</i>		
APPROVED BY DESIGN METHODS ENGINEER		

LINE TYPES