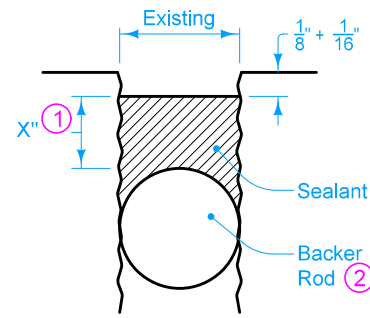
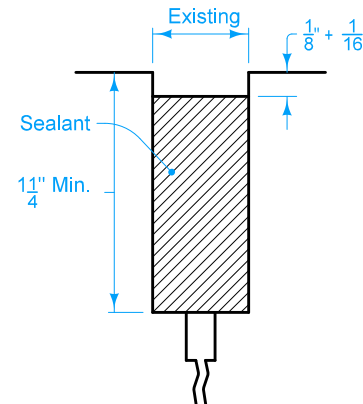


Note: Center $\frac{1}{2}$ " saw cut over the crack

CLASS I CRACK
Random Crack Less Than $\frac{1}{2}$ " In Width

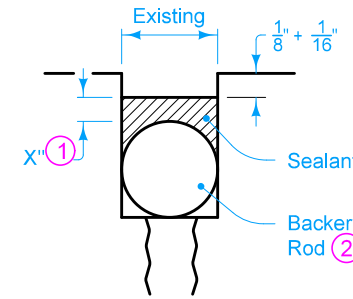


CLASS II CRACK
Random Crack $\frac{1}{2}$ " To $1\frac{1}{2}$ "

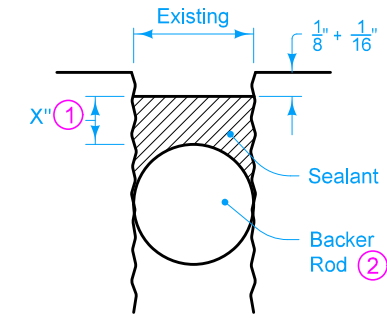


Note: Center saw cut over existing joint

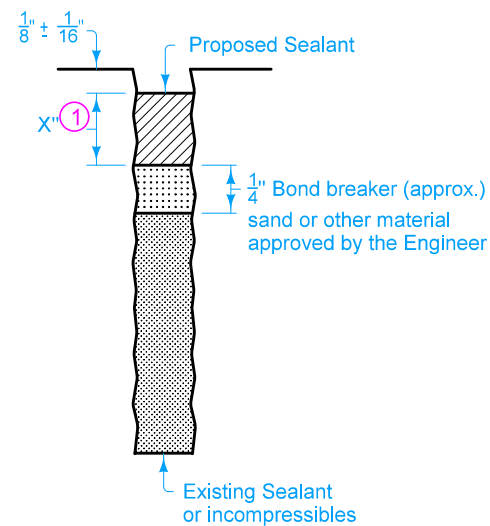
CLASS III JOINT
Existing Joint $\frac{1}{2}$ " Wide Or Less



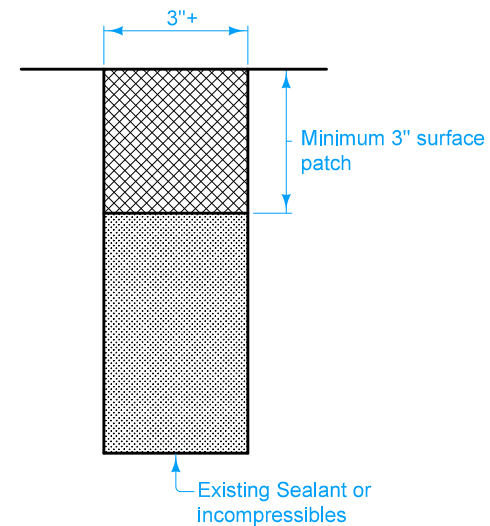
CLASS IV JOINT
Existing Width $>\frac{1}{2}$ " To $1\frac{1}{2}$ "



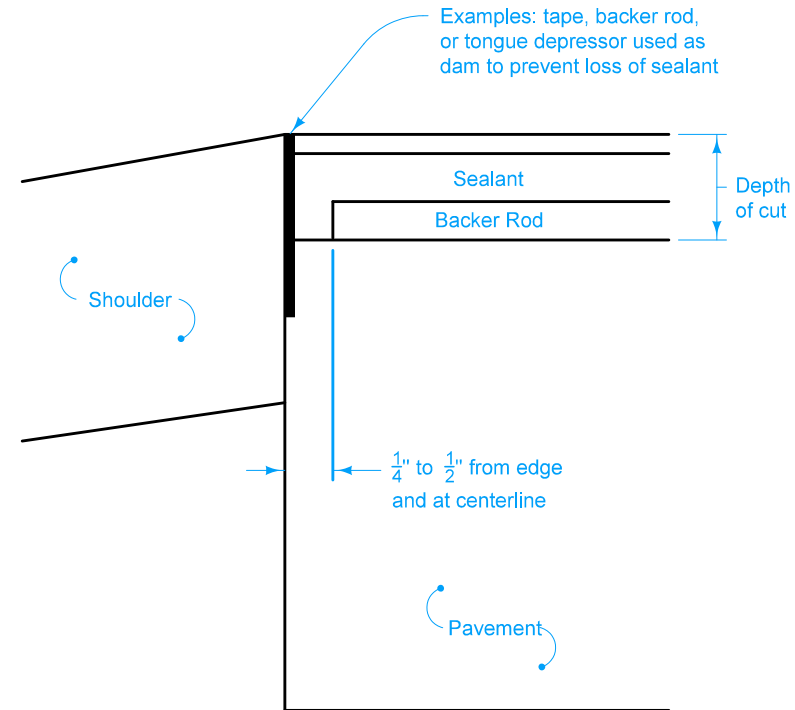
CLASS V CRACK OR JOINT
Existing Width $1\frac{1}{2}$ " To 3"



ALTERNATE BOND BREAKER FOR CLASS II CRACK CLASS IV JOINT CLASS V CRACK OR JOINT



GREATER THAN 3" OPENING



BACKER ROD PLACEMENT DETAIL

- ① X" = $\frac{1}{2}$ " Minimum when width is 1" or less
2:1 (Width:Depth) when width is greater than 1"
- ② Minimum diameter of one nominal size larger than the existing crack or joint

IOWA DOT	REVISION	
	New	10-21-14
STANDARD ROAD PLAN		
PR-110		
SHEET 1 of 1		

REVISIONS: New. Replaces RR-21.

Stuart Miller
APPROVED BY DESIGN METHODS ENGINEER

PCC CRACK AND JOINT CLEANING AND FILLING