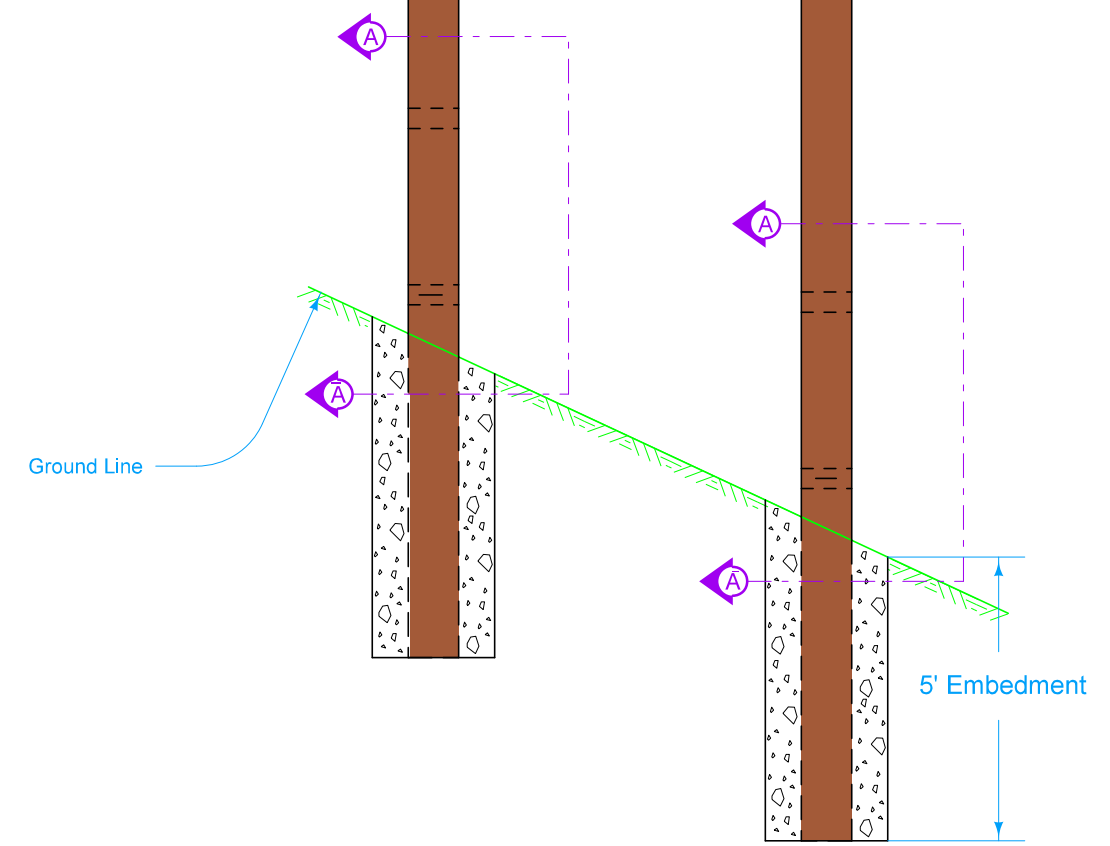
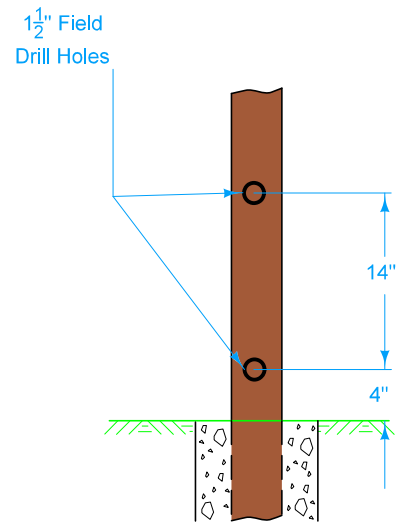


Top View



FRONT VIEW



Section A-A

Possible Contract Item:
Wood Posts for Type A or Type B Signs, 4 in. x 6 in.

Possible Tabulations:

- 190-50
- 190-51

 STANDARD ROAD PLAN	REVISION	
	2	04-19-16
	SI-111	
SHEET 1 of 1		

REVISIONS: Added "nominal" to wood post dimensions. Labeled 5' depth of post embedment. Added possible tabulations and replaced DOT logo in title block.

Steve Miller
APPROVED BY DESIGN METHODS ENGINEER

**SUPPORT STRUCTURES -
WOOD POSTS**