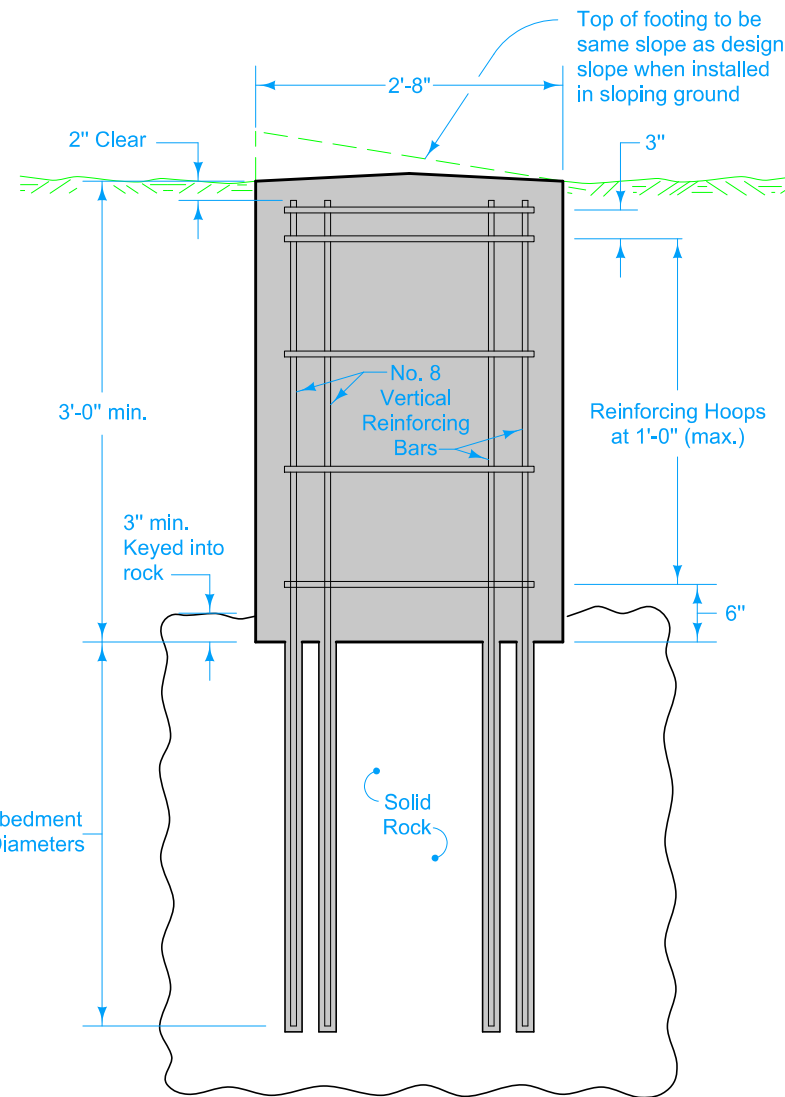
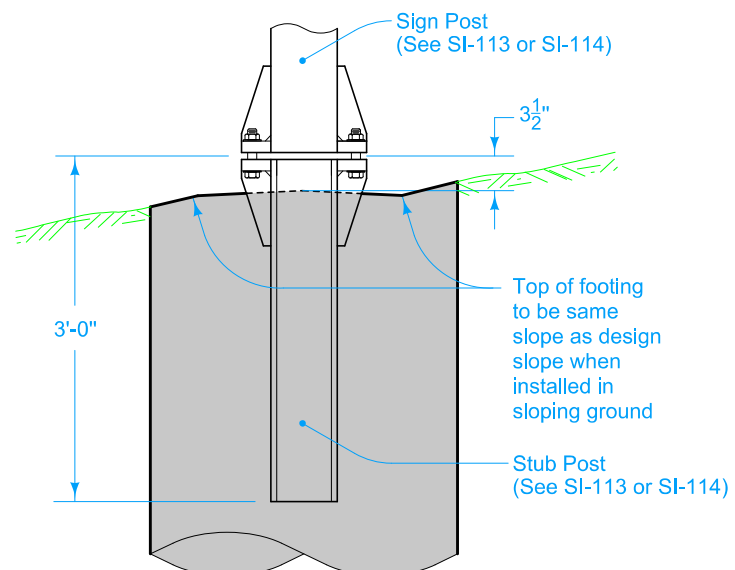


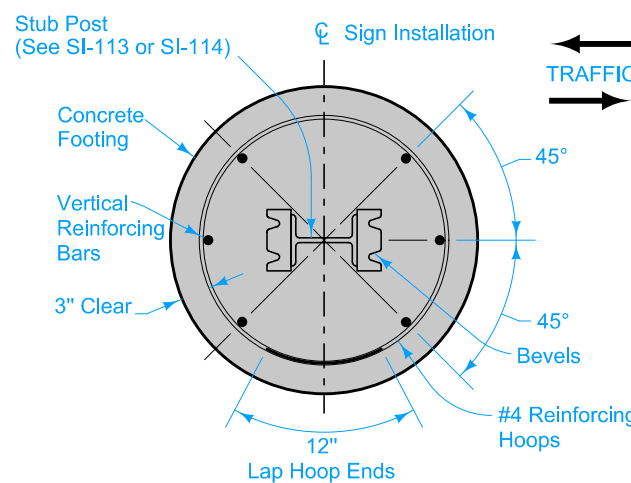
**INSTALLATION
NORMAL FOOTING IN EARTH**



**ALTERNATE DESIGN
FOOTING IN SOLID ROCK** ③



BREAKAWAY POST INSTALLATION



PLAN
(Reinforcing Placement and Sign Orientation)

Construct the footing as shown for normal footing in earth. Where solid rock is encountered, the alternate design for footing in solid rock may be used with the approval of the Engineer.

Dispose of all excavation for the footing in the area adjacent to the footing and shape to normal ground contour, unless directed otherwise by the Engineer.

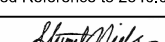
Hold the stub post in proper position by an approved device to ensure that it remains in proper position upon completion of concrete placement.

The contract price for size of footing required is full compensation for footing as detailed hereon, including all necessary excavation. Excavation in Unexpected Rock will be paid for according to Article 2524.05, I, of the Standard Specifications.

- ① Lengths are for normal footings. Required length may vary where alternate rock design is used.
- ② Refer to the contract documents for post size.
- ③ Set vertical bars in solid rock as follows:
 1. Drill holes twice bar diameter and fill with water.
 2. When hole is fully saturated, blow water out and fill two-thirds depth with sand cement mortar.
 3. Insert bar and consolidate mortar.
 4. Fill hole to top with mortar.

Possible Contract Item:
Concrete Footing for Breakaway Sign Post

FOOTING REINFORCING DATA			
Standard	Post Size	Footing Depth	Vertical Rein. Bar Length ①
SI-113 ②	W6x12	6'-0"	5'-8"
	W8x21	7'-6"	7'-2"
SI-114	W12x26	9'-0"	8'-8"
	4"x6"	7'-6"	7'-2"

IOWA DOT	REVISION	
	New	04-19-16
STANDARD ROAD PLAN		SI-112
		SHEET 1 of 1
REVISIONS: New. Combined footing information previously shown on SI-113 and SI-114. Added Reference to 2540.05, I in notes.		
 APPROVED BY DESIGN METHODS ENGINEER		

**FOOTINGS FOR STEEL
BREAKAWAY POSTS**