

* Series 2000 Standard Alphabets.
 ** Optically space numerals about vertical center line.



INTERSTATE ROUTE MARKERS

Sign	Width	Height	Border Thick.	Numeral Top Offset	Numeral Height & Font	Numeral Bottom Offset	Upper Section Height	Top Radius	Side Radius	Text Top Offset	Text Height & Font	Text Length Lt & Rt
	A	B	C	D	E	F	G	H	J	K	L	M
2 Digit Routes	48	48	1	15.375	20 C	12.625	10	30	30	4	5 C	15.307
	36	36	0.75	11.5	15 C	9.5	7.5	22.5	22.5	2.75	4 C	12.246
	24	24	0.5	7.625	10 C	6.375	5	15	15	2	2.5 C	7.658
	15	15	0.3125	4.75	6.35	3.9	3.125	9.375	9.375	1	1.75	5.32
	13	13	0.271	4.125	5.5 C	3.375	2.708	8.125	8.125	0.875	1.5 C	4.6125
	10	10	0.208	3.25	4.25 C	2.5	2.083	6.25	6.25	0.75	1 C	3.075
	6	6	0.125	2	2.5 C	1.5	1.25	3.75	3.75	0.5	0.625C	1.92
3 Digit Routes	60	48	1	15.375	20 B	12.625	10	48	34	4	5 E	21.818
	45	36	0.75	11.5	15 B	9.5	7.5	36	25.5	2.75	4 E	17.455
	30	24	0.5	7.625	10 B	6.375	5	24	17	2	2.5 E	10.911
	18.75	15	0.3125	4.75	6.35	3.9	3.125	15	10.625	1	1.75	7.58
	16.25	13	0.271	4.125	5.5 B	3.375	2.708	13	9.2083	0.875	1.5 E	6.57
	12	10	0.208	3.25	4.25 B	2.5	2.083	10	7.0833	0.75	1 E	4.38
	7.5	6	0.125	2	2.5 B	1.5	1.25	6	4.25	0.5	0.625E	2.74

All dimensions are in inches unless otherwise designated.

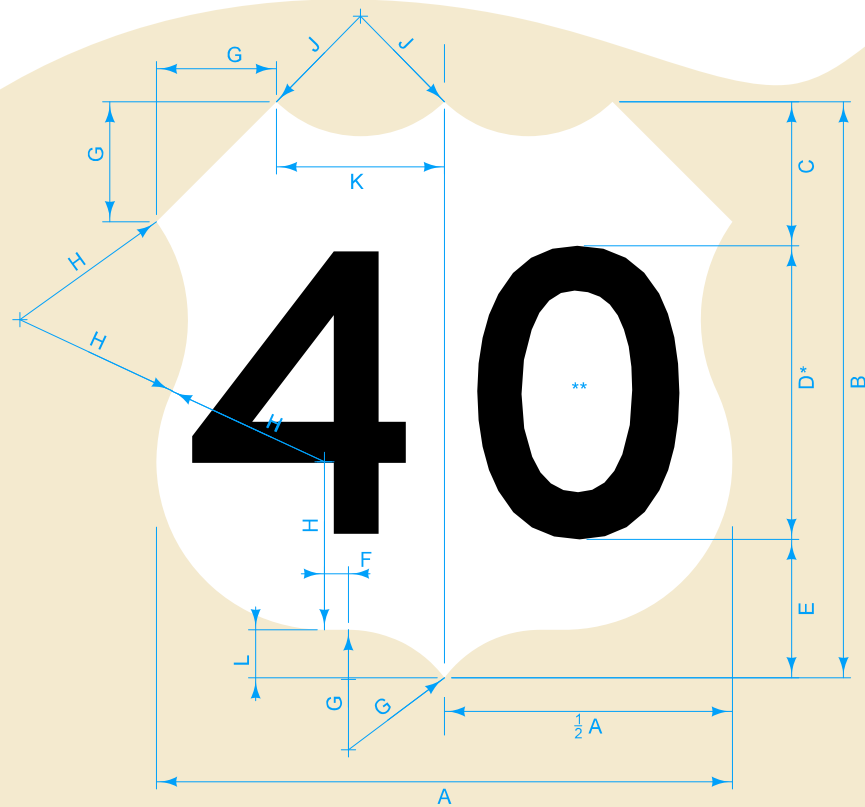
COLORS:
 Text: White
 Border: White
 Background (Interstate): Red
 Background (Route No.): Blue

 STANDARD ROAD PLAN	REVISION	
	4	10-16-18
	SI-121	
SHEET 1 of 5		

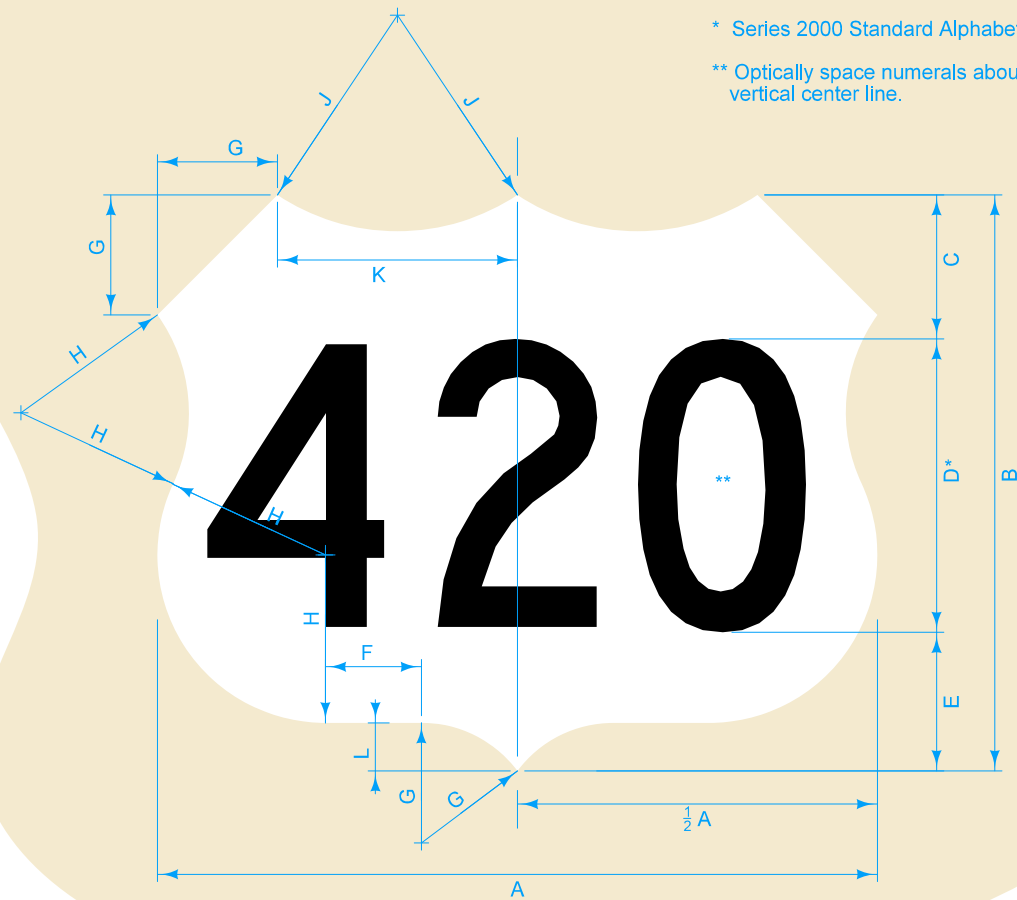
REVISIONS: Added 15" tall route shields for Interstates, U.S. Hwys, & IA Hwys.
 Added Circle Note 2 to Sheet 4.

Shawn Miller
 APPROVED BY DESIGN METHODS ENGINEER

**FABRICATION -
 SIGN LEGEND COMPONENTS**



* Series 2000 Standard Alphabets.
 ** Optically space numerals about vertical center line.



US ROUTE MARKERS



① Black borders added to route shields will not be accepted.

Sign	Width	Height	Numeral Top Offset	Numeral Height & Font	Numeral Bottom Offset	Bottom Tangent Length	Upper Section Height	Corner & Top Radius	Side Radius	Top Radius	Bottom Tangent Offset
	A	B	C	D	E	F	G	H	J	K	L
1 Digit Routes	48	48	11	24 D	13	2	10	14	10	14	4
	36	36	8.25	18 D	9.75	1.5	7.5	10.5	7.5	10.5	3
	24	24	5.5	12 D	6.5	1	5	7	5	7	2
	15	15	3.45	7.5 D	4	0.625	3.125	4.375	3.125	4.375	1.25
	13	13	3	6.5 D	3.5	0.542	2.708	3.792	2.708	3.792	1.083
	10	10	2.25	5 D	2.75	0.417	2.083	2.917	2.083	2.917	0.833
	6	6	1.375	3 D	1.625	0.25	1.25	1.75	1.25	1.75	0.5
2 Digit Routes	48	48	11	24 C	13	2	10	14	10	14	4
	36	36	8.25	18 C	9.75	1.5	7.5	10.5	7.5	10.5	3
	24	24	5.5	12 C	6.5	1	5	7	5	7	2
	15	15	3.45	7.5 C	4	0.625	3.125	4.375	3.125	4.375	1.25
	13	13	3	6.5 C	3.5	0.542	2.708	3.792	2.708	3.792	1.083
	10	10	2.25	5 C	2.75	0.417	2.083	2.917	2.083	2.917	0.833
	6	6	1.375	3 C	1.625	0.25	1.25	1.75	1.25	1.75	0.5
3 Digit Routes	60	48	11	24 B	13	8	10	14	18	20	4
	45	36	8.25	18 B	9.75	5.5	7.5	10.5	13.5	15	3
	30	24	5.5	12 B	6.5	4	5	7	9	10	2
	18.75	15	3.45	7.5 B	4	2.5	3.125	4.375	5.625	6.25	1.25
	16.25	13	3	6.5 B	3.5	2.167	2.708	3.792	4.875	5.416	1.083
	12	10	2.25	5 B	2.75	1.417	2.083	2.917	3.439	3.917	0.833
	7.5	6	1.375	3 B	1.625	1	1.25	1.75	2.25	2.5	0.5

All dimensions are in inches unless otherwise designated.

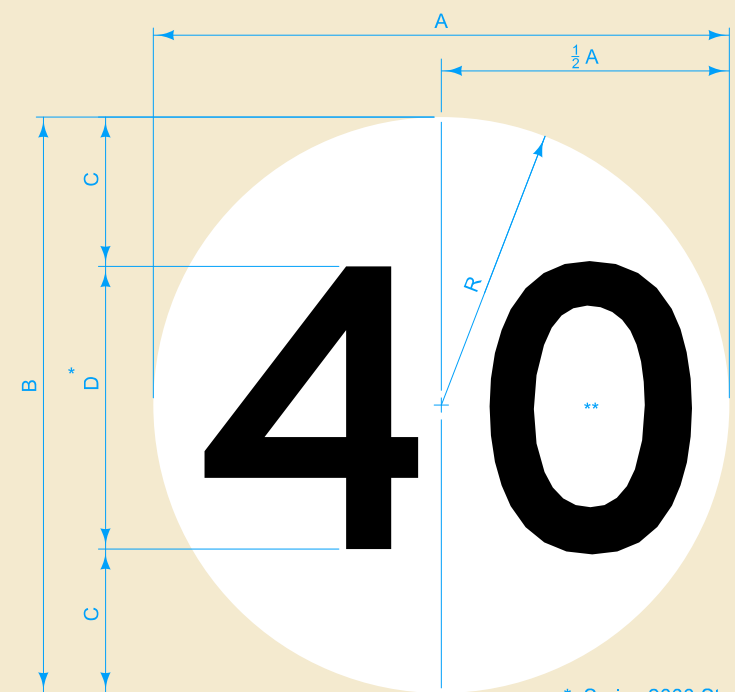
COLORS:
 Text: White
 Shield: White

	REVISION	
	4	10-16-18
	SI-121 SHEET 2 of 5	

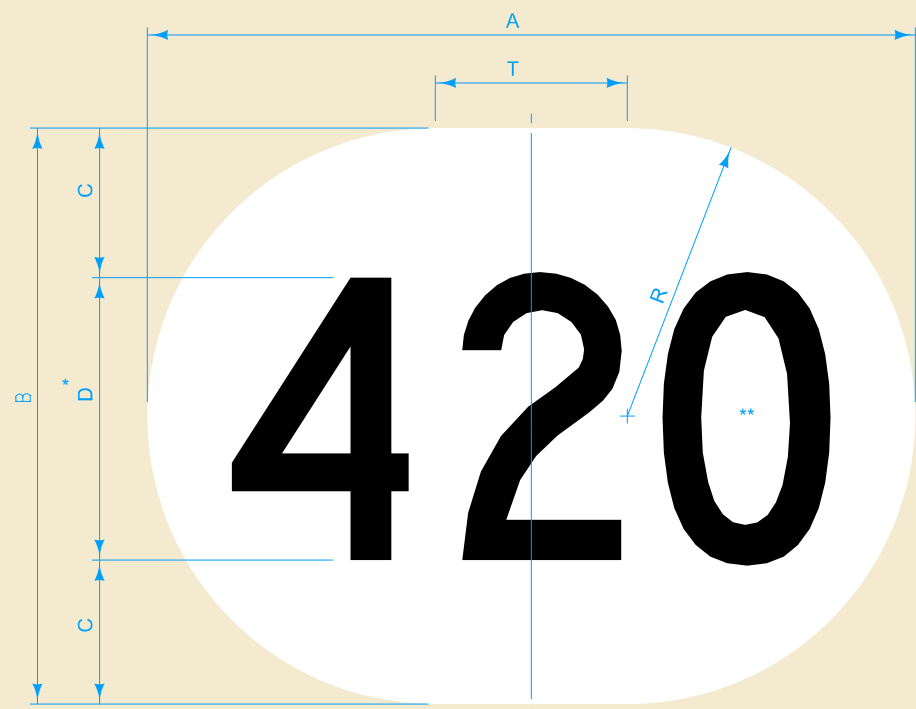
REVISIONS: Added 15" tall route shields for Interstates, U.S. Hwys, & IA Hwys. Added Circle Note 2 to Sheet 4.

Shawn Miller
 APPROVED BY DESIGN METHODS ENGINEER

**FABRICATION -
 SIGN LEGEND COMPONENTS**



* Series 2000 Standard Alphabets.
 ** Optically space numerals about vertical center line.



STATE ROUTE MARKERS



① Black borders added to route shields will not be accepted.

Sign	Width	Height	Numeral Offset	Numeral Height & Font	Radius	Tangent
	A	B	C	D	R	T
1 Digit Routes	48	48	12	24 D	24	-
	36	36	9	18 D	18	-
	24	24	6	12 D	12	-
	15	15	3.75	7.5 D	7.5	-
	13	13	3.25	6.5 D	6.5	-
	10	10	2.5	5 D	5	-
	6	6	1.5	3 D	3	-
2 Digit Routes	48	48	12	24 C	24	-
	36	36	9	18 C	18	-
	24	24	6	12 C	12	-
	15	15	3.75	7.5 C	7.5	-
	13	13	3.25	6.5 C	6.5	-
	10	10	2.5	5 C	5	-
	6	6	1.5	3 C	3	-
3 Digit Routes	60	48	12	24 B	24	12
	45	36	9	18 B	18	9
	30	24	6	12 B	12	6
	18.75	15	3.75	7.5 B	7.5	3.75
	16.25	13	3.25	6.5 B	6.5	3.25
	12	10	2.5	5 B	5	2
	7.5	6	1.5	3 B	3	1.5

All dimensions are in inches unless otherwise designated.

COLORS:
 Text: Black
 Shield: White

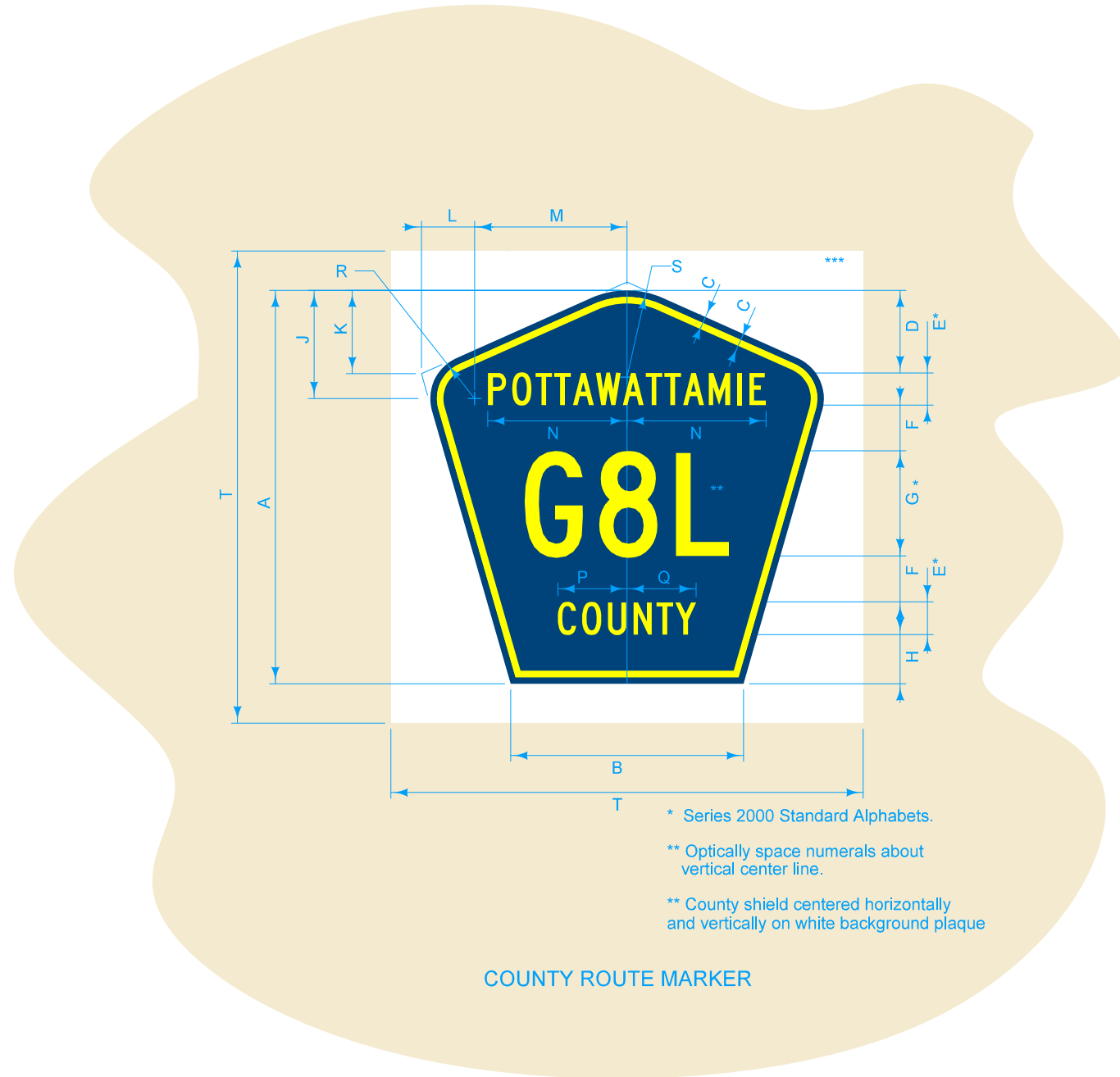
	REVISION	
	4	10-16-18
STANDARD ROAD PLAN		SI-121
		SHEET 3 of 5

REVISIONS: Added 15" tall route shields for Interstates, U.S. Hwys, & IA Hwys.
 Added Circle Note 2 to Sheet 4.

Shawn Miller
 APPROVED BY DESIGN METHODS ENGINEER

**FABRICATION -
 SIGN LEGEND COMPONENTS**

② Yellow sheeted background plaque will not be accepted.



* Series 2000 Standard Alphabets.
 ** Optically space numerals about vertical center line.
 ** County shield centered horizontally and vertically on white background plaque

COUNTY ROUTE MARKER

All dimensions are in inches unless otherwise designated.

COLORS:
 Text: Yellow
 Border: Yellow
 Shield: Blue
 Background: White

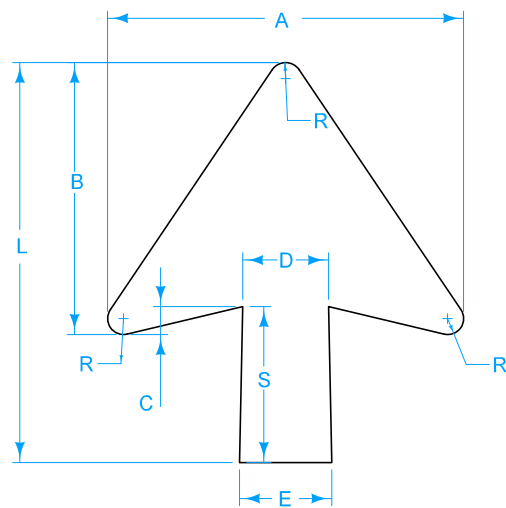
Sign	Height	Bottom Width	Border Thick. & Indent	County Top Offset	County Text Hgt & Font	Numeral Offset	Numeral Height & Font	County Bottom Offset	Radius Vertical Offset	Corner Vertical Offset	Corner Lateral Offset	Radius Lateral Offset	County Name Lt & Rt	County Text Left	County Text Right	Side Radius	Top Radius	Backgrnd Plaque
	A	B	C	D	E	F	G	H	J	K	L	M	N	P	Q	R	S	T
All Routes	36	21.25	0.5	7	3 C	3	12 C	4	10	6.75	4.75	14	VAR	7.5	7.75	4	10	42

	REVISION	
	4	10-16-18
	SI-121 SHEET 4 of 5	

REVISIONS: Added 15" tall route shields for Interstates, U.S. Hwys, & IA Hwys. Added Circle Note 2 to Sheet 4.

Steve Miller
 APPROVED BY DESIGN METHODS ENGINEER

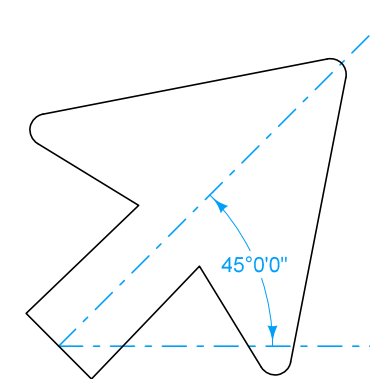
**FABRICATION -
 SIGN LEGEND COMPONENTS**



ID	Length	Head Width	Head Length	Draft	Radius	Tip	Shaft Width at Head	Shaft Width at Tail	Shaft Length	Letter Size
	L	A	B	C	R	G	D	E	S	
I-A	17	15.125	11.5625	1.3125	0.8125	Round	3.75	4.03	6.75	8
I-B	25	15.125	11.5625	1.3125	0.8125	Round	3.75	4.36	14.75	8
I-C	20	18.25	14	1.5	0.75	Round	4.5	4.81	7.5	10-13.3
I-D	30	18.25	14	1.5	0.75	Round	4.5	5.23	17.5	10-13.3
I-E	25	22.25	17	1.75	1	Round	5.375	5.78	9.75	16
I-F	35	22.25	17	1.75	1	Round	5.375	6.2	19.75	16

TYPE I

② Type II-A arrows should be used in all typical "down arrow" applications except where not practical due to size constraints.

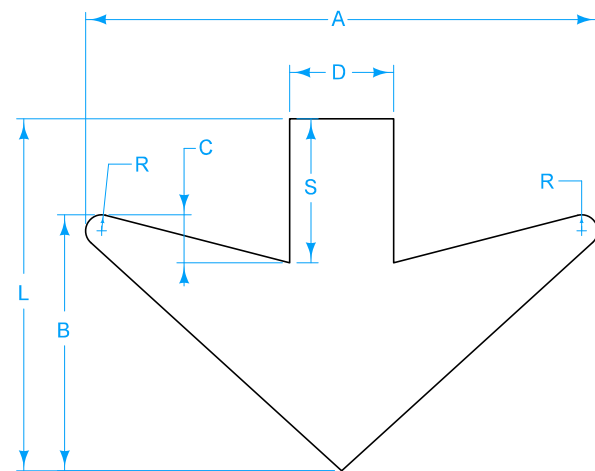


I-E, 45

ARROW DESIGNATION:

Each arrow used on a guide sign is identified by a two part code as follows:

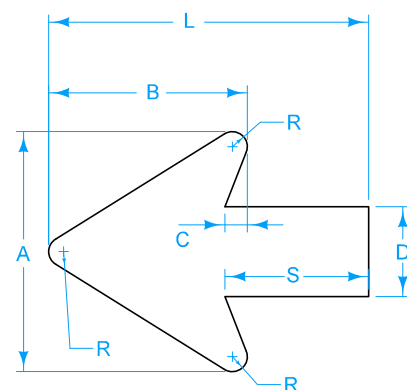
- Part 1 is the arrow ID number
- Part 2 is the angle in degrees between the center line of the arrow and the horizontal



ID	Length	Head Width	Head Length	Draft	Radius	Tip	Shaft Width at Head	Shaft Width at Tail
	L	A	B	C	R	G	D	E
II-B	16	24	12	2.25	0.75	Point	4.875	6.25
II-A	22	32	16	3	1	Point	6.5	9

TYPE II

All dimensions are in inches unless otherwise designated.



ID	Length	Head Width	Head Length	Draft	Radius	Tip	Shaft Width at Head	Shaft Length
	L	A	B	C	R	G	D	S
III-4S	6	4	3.3125	0.375	0.25	Round	1.5	3.0625
III-4L	12	4	3.3125	0.375	0.25	Round	1.5	9.0625
III-5S	8	5	4.140625	0.46875	0.3125	Round	1.875	4.328
III-5L	12	5	4.140625	0.46875	0.3125	Round	1.875	8.328
III-6S	8	6	4.96875	0.5625	0.375	Round	2.25	3.59375
III-6L	14	6	4.96875	0.5625	0.375	Round	2.25	9.59375
III-8S	10.5	8	6.625	0.75	0.5	Round	3.0	4.625
III-8L	14	8	6.625	0.75	0.5	Round	3.0	8.125

TYPE III

	REVISION	
	4	10-16-18
STANDARD ROAD PLAN		SI-121
		SHEET 5 of 5

REVISIONS: Added 15" tall route shields for Interstates, U.S. Hwys, & IA Hwys. Added Circle Note 2 to Sheet 4.

APPROVED BY DESIGN METHODS ENGINEER

FABRICATION -
SIGN LEGEND COMPONENTS