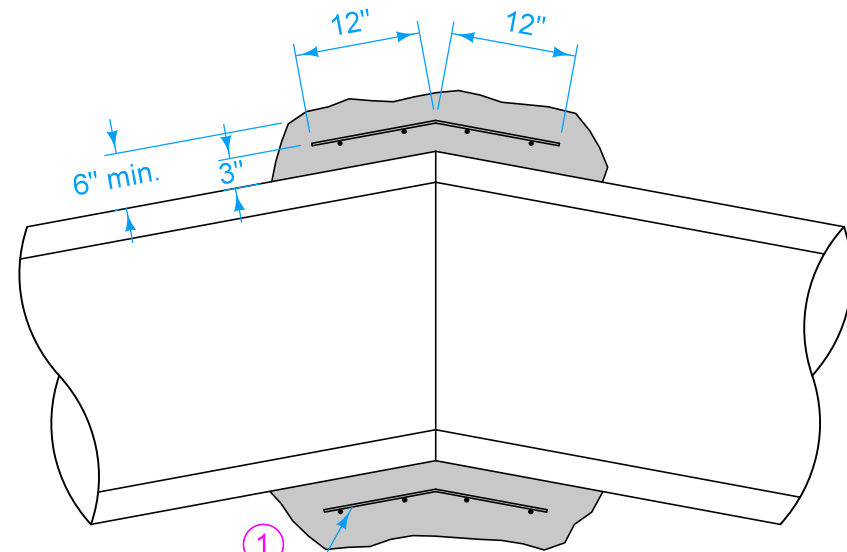


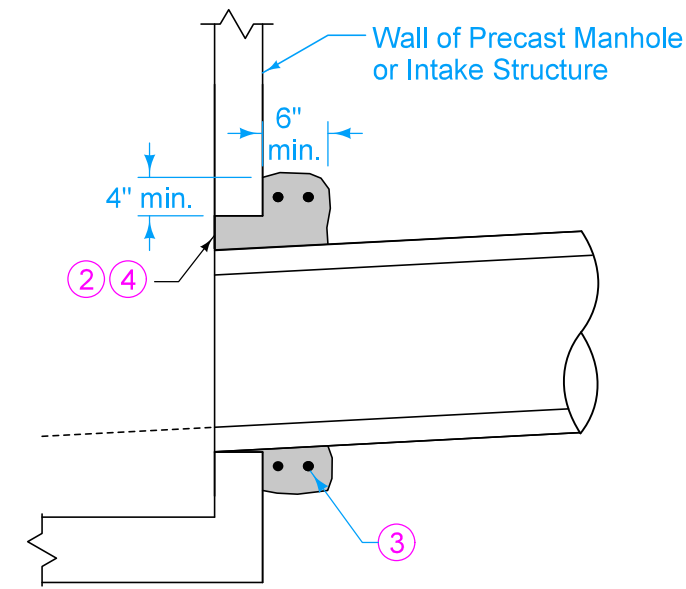
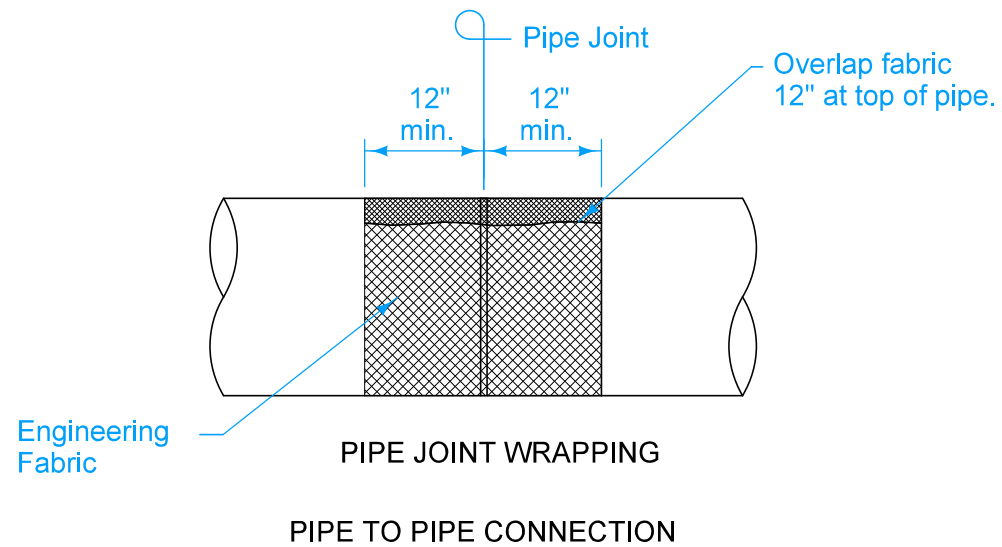
① 6"x6" - w2xw2 (8ga.) Wire Mesh

TYPE PC-1 CONCRETE COLLAR CONNECTION

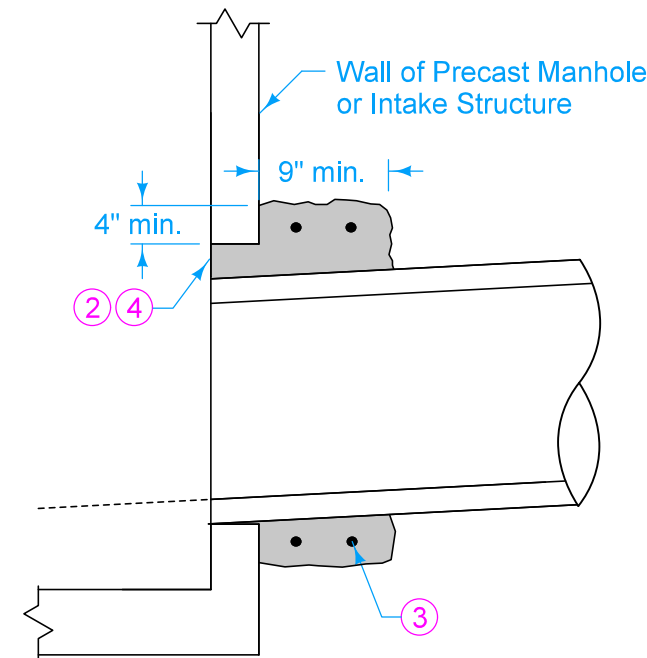


① 6"x6" - w2xw2 (8ga.) Wire Mesh

TYPE PC-2 CONCRETE COLLAR CONNECTION



CONCRETE COLLAR FOR PIPES 12" AND SMALLER



CONCRETE COLLAR FOR PIPES GREATER THAN 12"

PIPE TO STRUCTURE CONNECTION

- ① Lap ends of wire mesh a minimum of 6 inches.
- ② Concrete collar is required when annular space between the outside of the pipe and the wall of the structure is 2 inches or greater.
- ③ Provide two #4 hoop bars in concrete collar. Lap bars a minimum of 6 inches.
- ④ Trowel concrete flush with inside wall of structure.

SUDAS	IOWA DOT	REVISION	
		2	04-17-18
FIGURE 4020.211	STANDARD ROAD PLAN	<b>SW-211</b>	
		SHEET 1 of 1	

REVISIONS: Removed 'Invert' callout on Pipe to Structure View. Retitled and replaced old Iowa DOT and SUDAS logos with new logos.

Paul D. Wiegand  
 SUDAS DIRECTOR

Stuart Miller  
 DESIGN METHODS ENGINEER

**STORM SEWER PIPE CONNECTIONS**