

If manhole depth exceeds 20 feet, install steps.

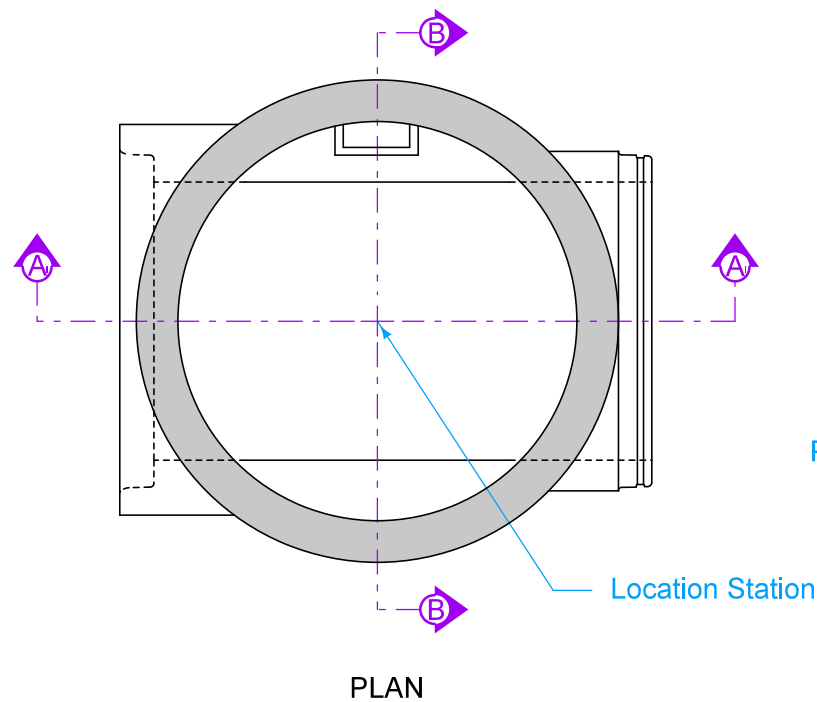
① For sewer pipes less than 48 inch diameter, install eccentric reducers/increasers with a standard tee or utilize a composite tee.

TYPICAL SECTION

STANDARD TEE ①

FIGURE 6010.405 SHEET 1 OF 2

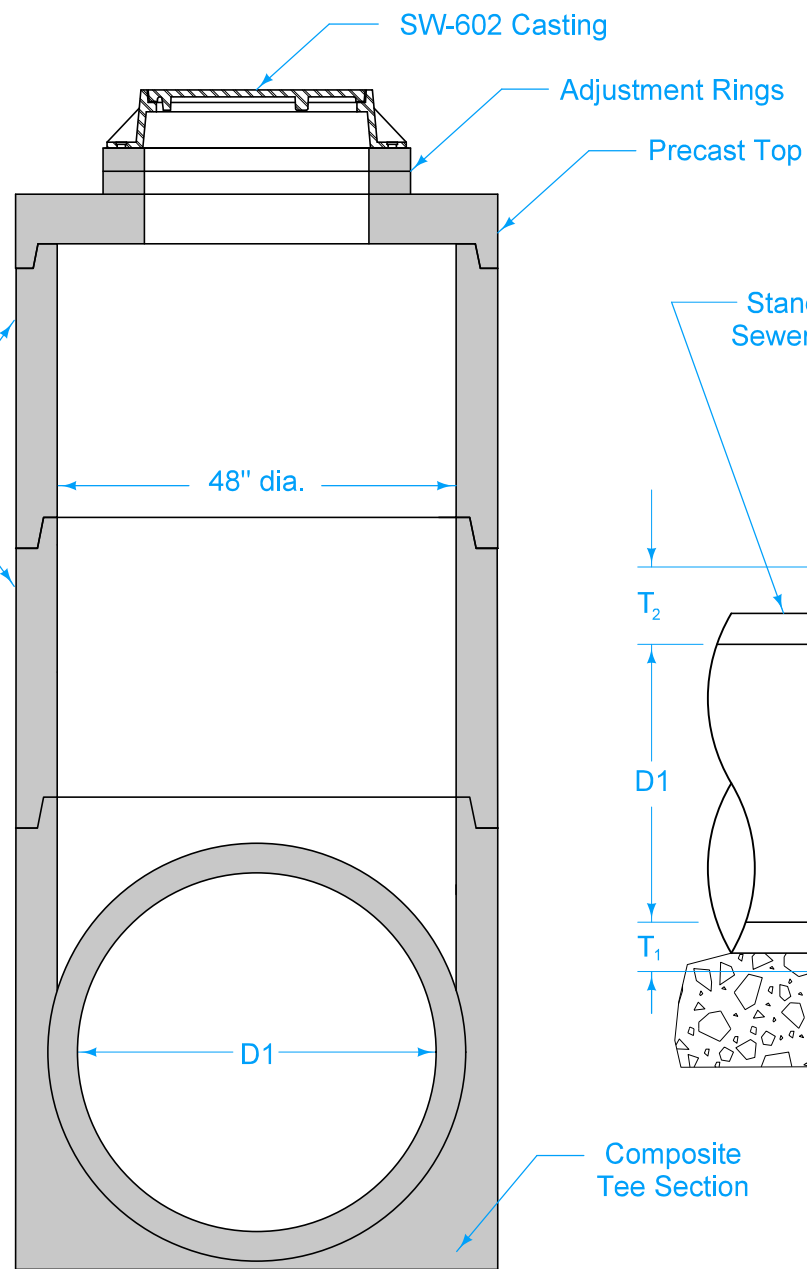
		REVISION	
		4	04-20-21
FIGURE 6010.405	STANDARD ROAD PLAN	SW-405	
		SHEET 1 of 2	
REVISIONS: Added manhole depth note.			
 SUDAS DIRECTOR		 DESIGN METHODS ENGINEER	
TEE-SECTION STORM SEWER MANHOLE			



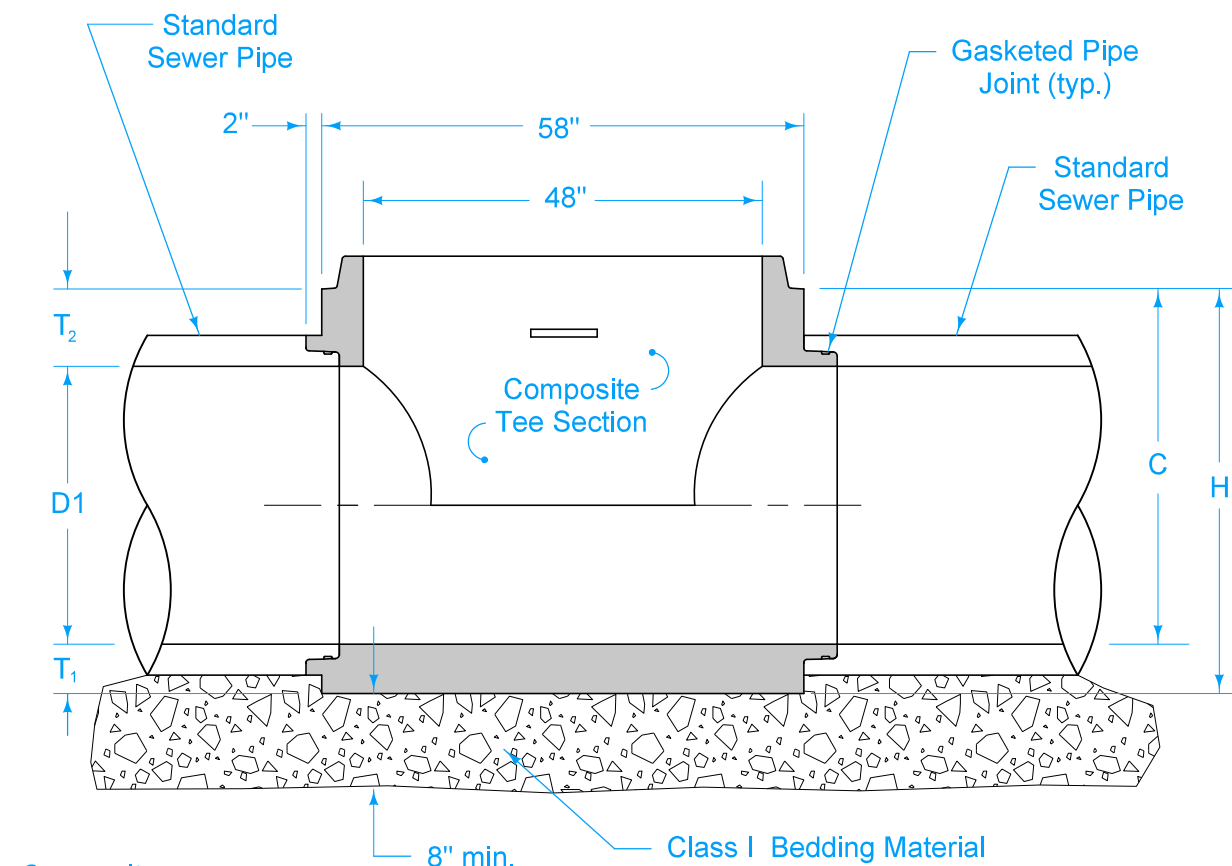
Precast Riser Sections

Location Station

PLAN



SECTION B-B



SECTION A-A

COMPOSITE TEE DIMENSIONS						
Size	D1	H	T ₁	T ₂	C	Weight
48" on 12"	12"	50"	8½"	29½"	41½"	5600 lbs.
48" on 15"	15"	50"	7"	28"	43"	5400 lbs.
48" on 18"	18"	50"	5½"	26½"	44½"	5200 lbs.
48" on 21"	21"	48"	9½"	17½"	38½"	5800 lbs.
48" on 24"	24"	48"	8"	16"	40"	5600 lbs.
48" on 27"	27"	48"	9½"	11½"	38½"	5900 lbs.
48" on 30"	30"	48"	8"	10"	40"	5300 lbs.
48" on 33"	33"	54"	9½"	11½"	44½"	6600 lbs.
48" on 36"	36"	54"	8"	10"	46"	6100 lbs.

COMPOSITE TEE

Alternate to standard tee with eccentric reducer (for pipes 36" and smaller).

FIGURE 6010.405 SHEET 2 OF 2

SUDAS IOWA DOT	REVISION
	4 04-20-21
FIGURE 6010.405 STANDARD ROAD PLAN	SW-405 SHEET 2 of 2
REVISIONS: Added manhole depth note.	
<i>Paul D. Wiegand</i> SUDAS DIRECTOR	<i>Stuart Miller</i> DESIGN METHODS ENGINEER
TEE-SECTION STORM SEWER MANHOLE	