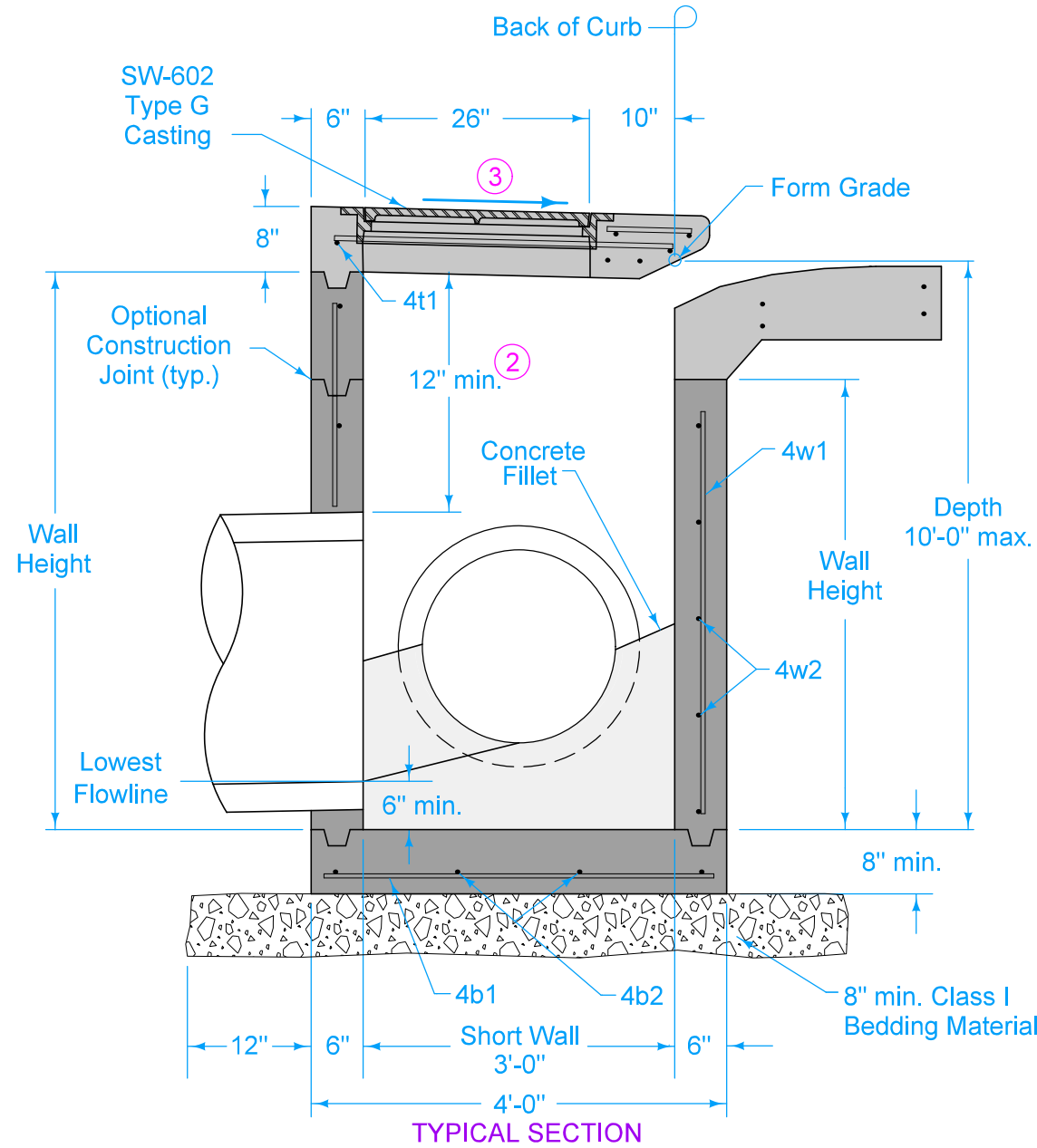


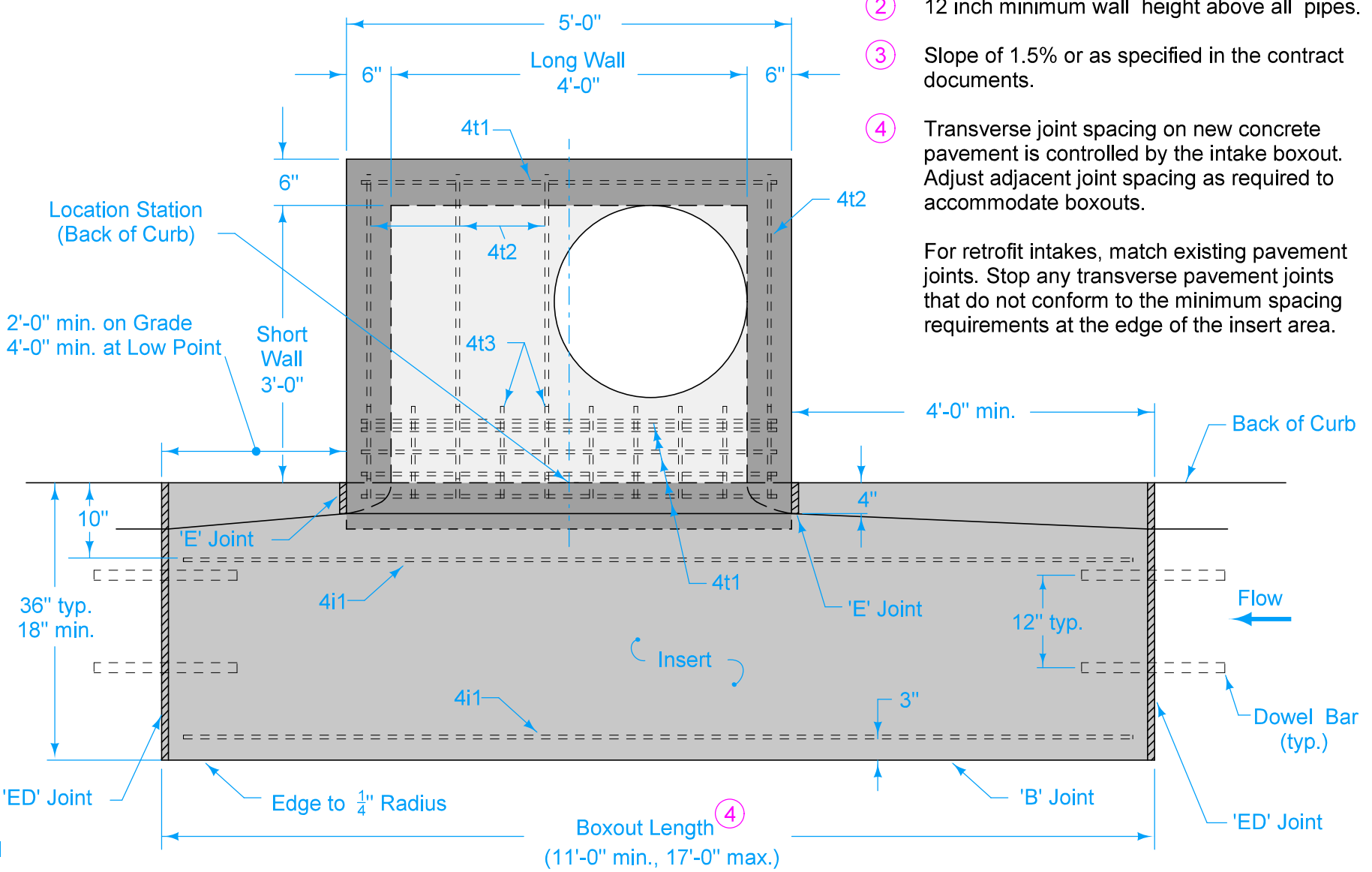
① Insert shaping may be modified for insert widths less than 36 inches. For an 18 inch insert, reduce dimensions indicated by 1/2 inch.

FIGURE 6010.507 SHEET 1 OF 2

|  |                    |  |          |
|--|--------------------|--|----------|
| SUDAS  | IOWA DOT           | REVISION                                 |          |
|  |                    | 4  | 04-21-20 |
| FIGURE 6010.507  | STANDARD ROAD PLAN | <b>SW-507</b>                            |          |
|  |                    | SHEET 1 of 2                             |          |
| REVISIONS: Added Class 1 Bedding Material and changed maximum box out length to 17'. |                    |  |          |
| Paul D. Wrigand<br>SUDAS DIRECTOR  |                    | Stuart Miller<br>DESIGN METHODS ENGINEER |          |
| <b>SINGLE OPEN-THROAT CURB<br/>INTAKE, SMALL BOX</b>                                 |                    |  |          |



TYPICAL SECTION



PLAN

- ② 12 inch minimum wall height above all pipes.
  - ③ Slope of 1.5% or as specified in the contract documents.
  - ④ Transverse joint spacing on new concrete pavement is controlled by the intake boxout. Adjust adjacent joint spacing as required to accommodate boxouts.
- For retrofit intakes, match existing pavement joints. Stop any transverse pavement joints that do not conform to the minimum spacing requirements at the edge of the insert area.

| REINFORCING BAR LIST |      |             |       |        |                        |            |
|----------------------|------|-------------|-------|--------|------------------------|------------|
| Mark                 | Size | Location    | Shape | Count  | Length                 | Spacing    |
| 4t1                  | 4    | Top         | —     | 6      | 4'-8"                  | See Insert |
| 4t2                  | 4    | Top         | —     | 4      | 3'-6"                  | 12"        |
| 4t3                  | 4    | Top         | —     | 10     | 10"                    | 6"         |
| 4b1                  | 4    | Base        | —     | 6      | 3'-6"                  | 1 1"       |
| 4b2                  | 4    | Base        | —     | 5      | 4'-6"                  | 10"        |
| 4i1                  | 4    | Insert      | —     | 4      | Boxout Length minus 8" | See Plan   |
| 4w1                  | 4    | Walls       | —     | 14     | Wall Height minus 4"   | 14"        |
| 4w2                  | 4    | Long Walls  | —     | Varies | 4'-8"                  | 12"        |
| 4w3                  | 4    | Short Walls | —     | Varies | 3'-8"                  | 12"        |

| MAXIMUM PIPE DIAMETERS |                   |                         |
|------------------------|-------------------|-------------------------|
| Pipe Location          | Precast Structure | Cast-in-place Structure |
| Short Wall             | 24"               | 30"                     |
| Long Wall              | 30"               | 36"                     |

|  |  |                             |          |
|--|--|-----------------------------|----------|
|  |  | REVISION                    |          |
|  |  | 4                           | 04-21-20 |
| <b>FIGURE 6010.507</b>   |  | <b>STANDARD ROAD PLAN</b>   |          |
|  |  | <b>SW-507</b>               |          |
|  |  | SHEET 2 of 2                |          |
| REVISIONS: Added Class I Bedding Material and changed maximum box out length to 17". |  |                             |          |
| <br>SUDAS DIRECTOR   |  | <br>DESIGN METHODS ENGINEER |          |

**SINGLE OPEN-THROAT CURB INTAKE, SMALL BOX**

FIGURE 6010.507 SHEET 2 OF 2