

① Insert shaping may be modified for insert widths less than 36 inches. For an 18 inch insert, reduce dimensions indicated by 1/4 inch.

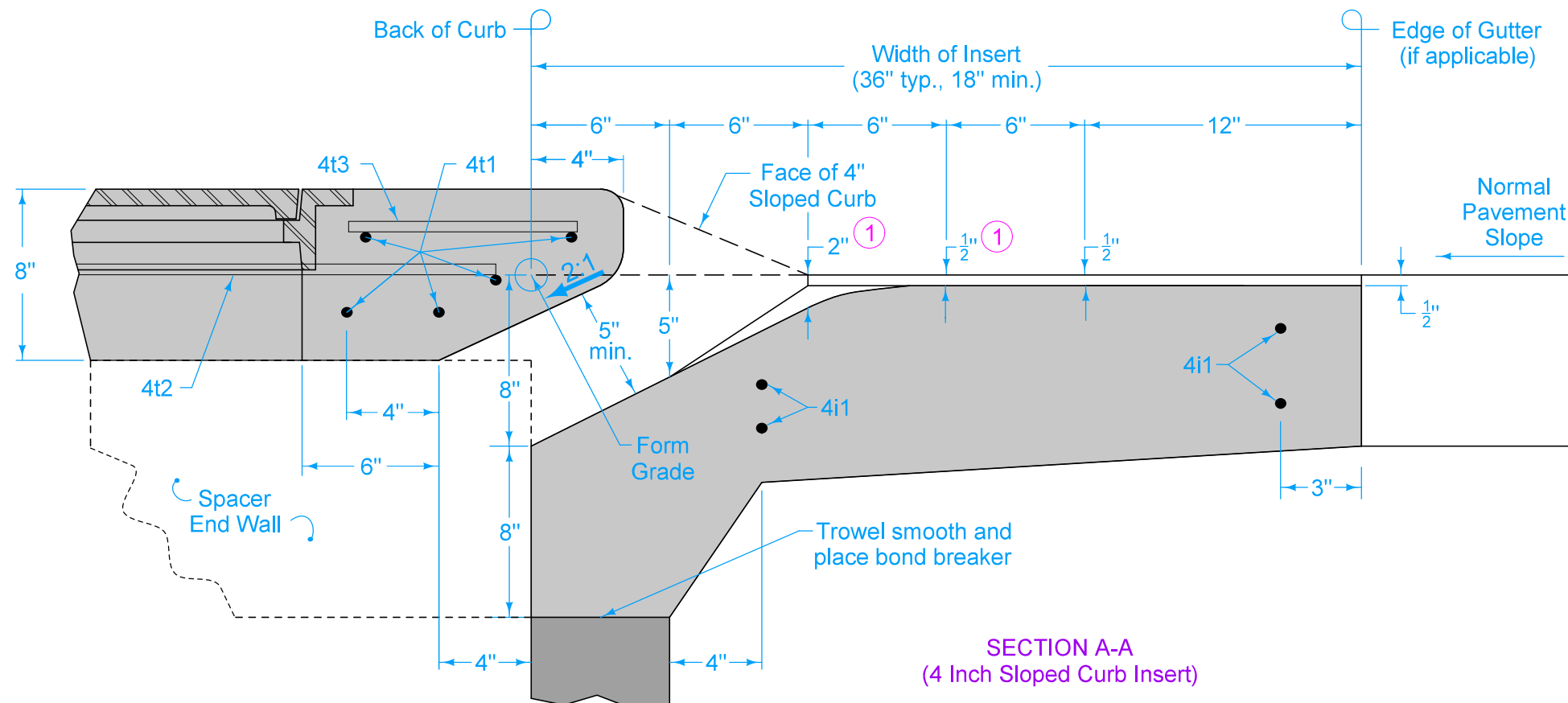
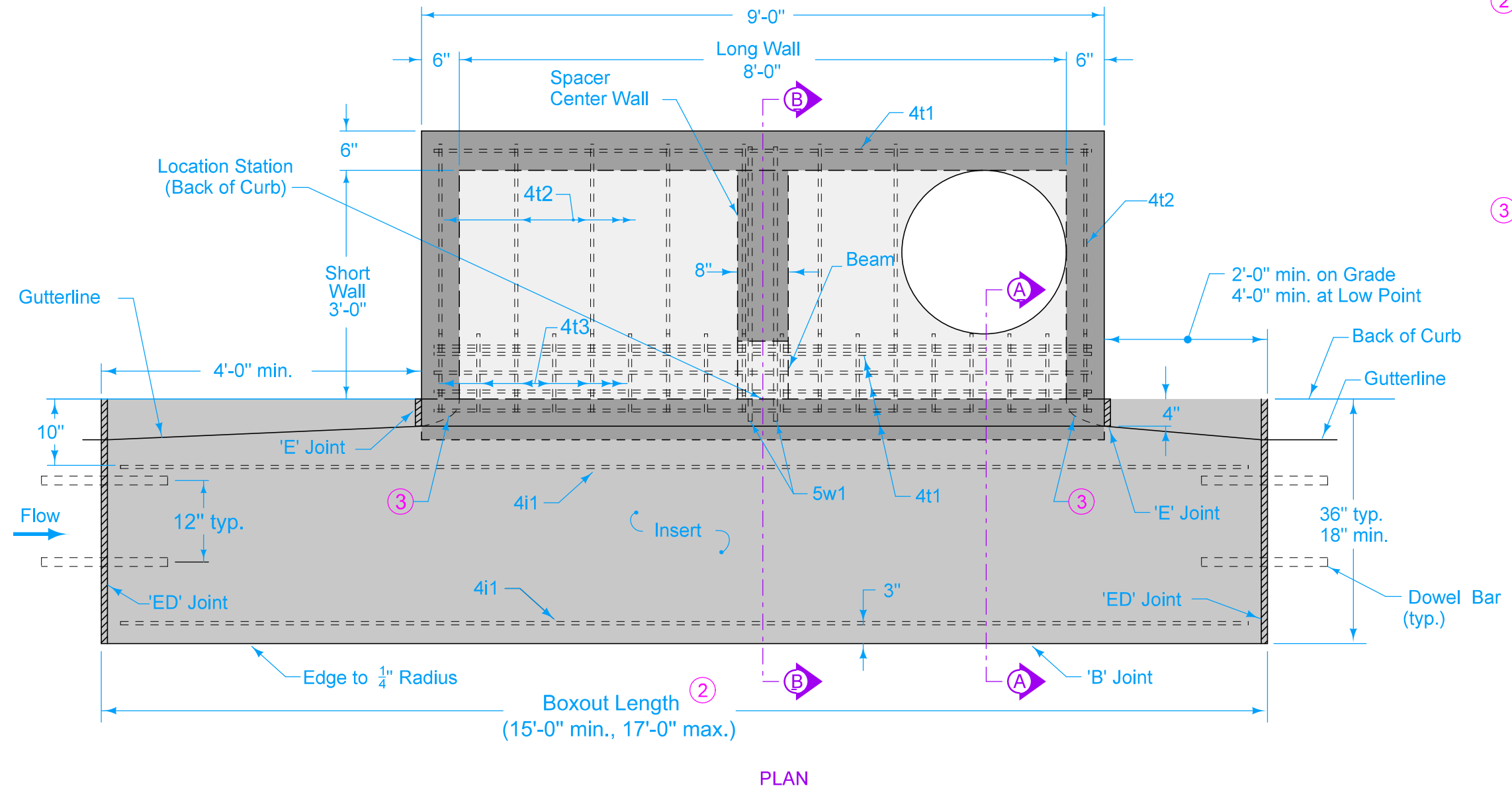


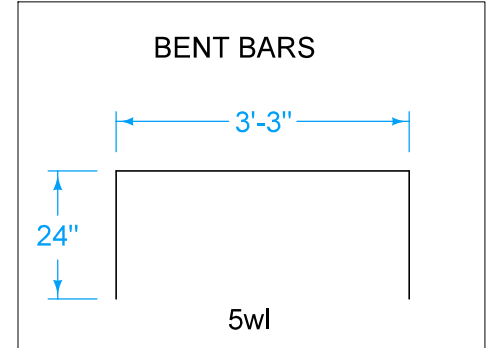
FIGURE 6010.509 SHEET 1 OF 3

SUDAS	IOWA DOT	REVISION
		6   04-21-20
FIGURE 6010.509	STANDARD ROAD PLAN	<b>SW-509</b>
REVISIONS: Added Class 1 Bedding Material and changed maximum box out length to 17'.		SHEET 1 of 3
Paul D. Wiegand SUDAS DIRECTOR		Stuart Miller DESIGN METHODS ENGINEER
<b>DOUBLE OPEN-THROAT CURB INTAKE, SMALL BOX</b>		



- ② Transverse joint spacing on new concrete pavement is controlled by the intake boxout. Adjust adjacent joint spacing as required to accommodate boxouts.
- ③ Rounded shaping at inlet.

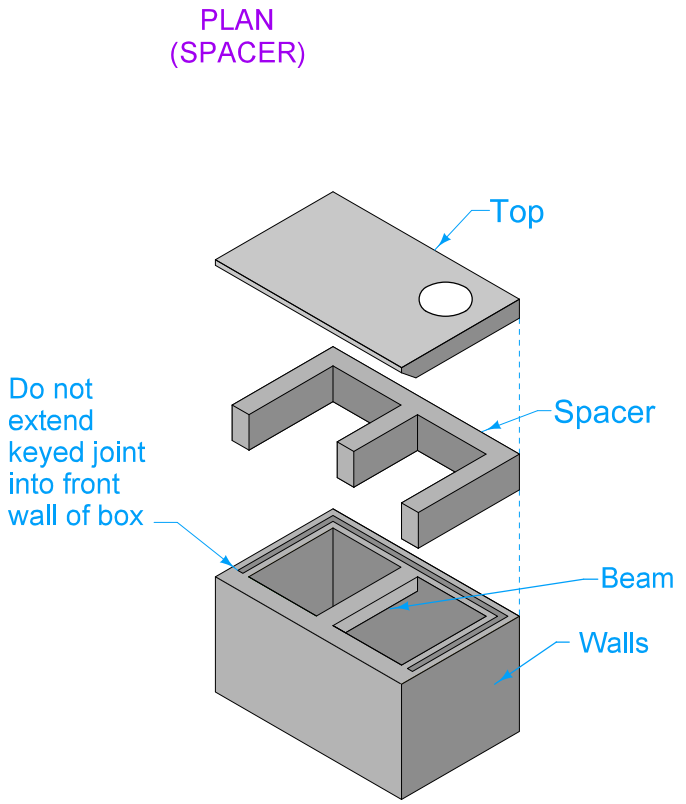
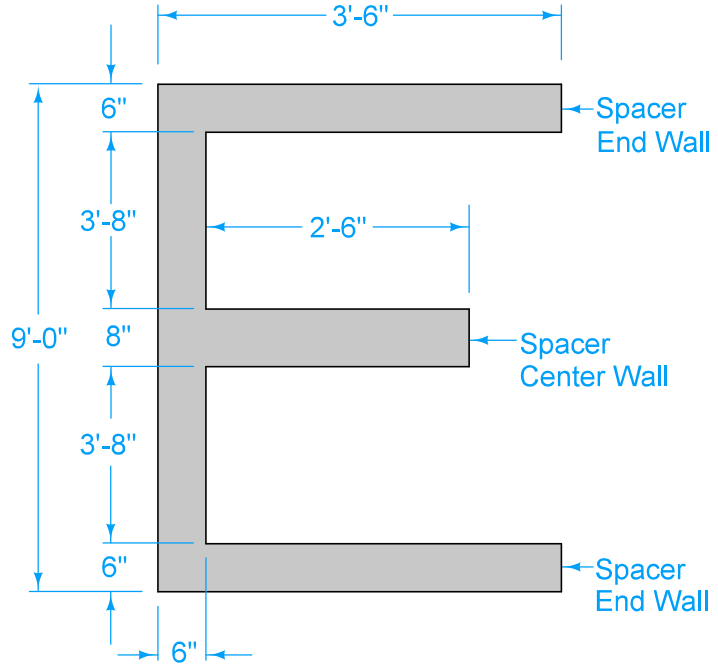
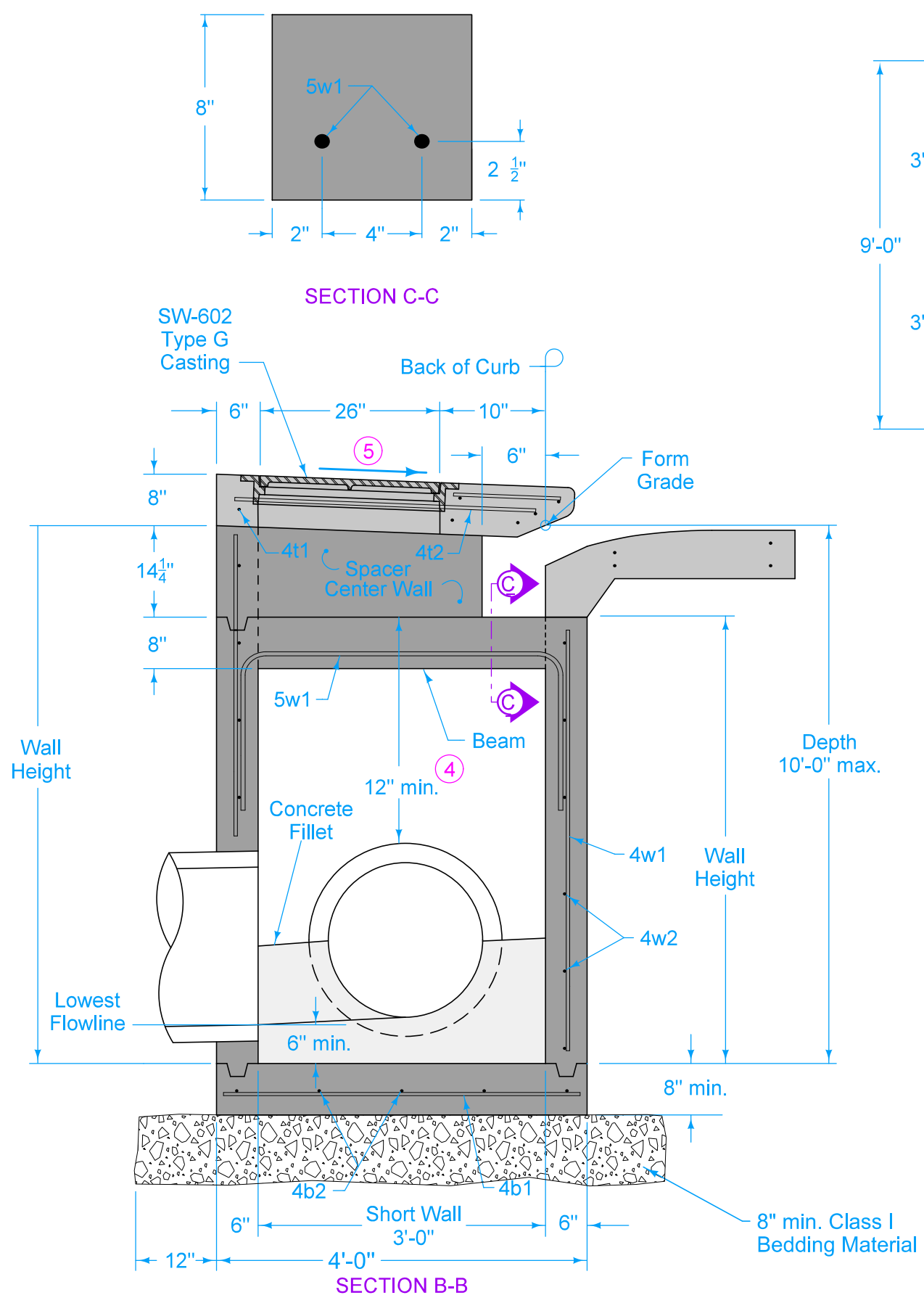
REINFORCING BAR LIST						
Mark	Size	Location	Shape	Count	Length	Spacing
4b1	4	Base	—	9	3'-6"	12"
4b2	4	Base	—	5	8'-6"	10"
4i1	4	Insert	—	4	Boxout Length minus 8"	See Insert
4t1	4	Top	—	6	8'-6"	See Plan
4t2	4	Top	—	8	3'-6"	12"
4t3	4	Top	—	18	10"	6"
4w1	4	Walls	—	22	Wall Height minus 4"	13"
4w2	4	Long Walls	—	Varies	4'-8"	12"
4w3	4	Short Walls	—	Varies	3'-8"	12"
5w1	5	Beam	┌┐	2	7'-3"	4"



SUDAS IOWA DOT	REVISION 6   04-21-20
	<b>SW-509</b> SHEET 2 of 3
REVISIONS: Added Class 1 Bedding Material and changed maximum box out length to 17'.	Paul D. Wiegand SUDAS DIRECTOR
Shawn Miller DESIGN METHODS ENGINEER	<b>DOUBLE OPEN-THROAT CURB INTAKE, SMALL BOX</b>

FIGURE 6010.509 SHEET 2 OF 3

- ④ 12 inch minimum wall height above all pipes.
- ⑤ Slope of 1.5% or as specified in the contract documents.



ISOMETRIC  
(Refer to SECTION B-B for alignment of Top with Spacer)

MAXIMUM PIPE DIAMETERS		
Pipe Location	Precast Structure	Cast-in-place Structure
Short Wall	24"	30"
Long Wall	60"	66"

FIGURE 6010.509 SHEET 3 OF 3

SUDAS IOWA DOT	REVISION 6 04-21-20
	<b>SW-509</b> SHEET 3 of 3
<b>FIGURE 6010.509</b> STANDARD ROAD PLAN	REVISIONS: Added Class I Bedding Material and changed maximum box out length to 17'.
<i>Paul D. Wiegand</i> SUDAS DIRECTOR	<i>Stuart Miller</i> DESIGN METHODS ENGINEER

**DOUBLE OPEN-THROAT CURB INTAKE, SMALL BOX**