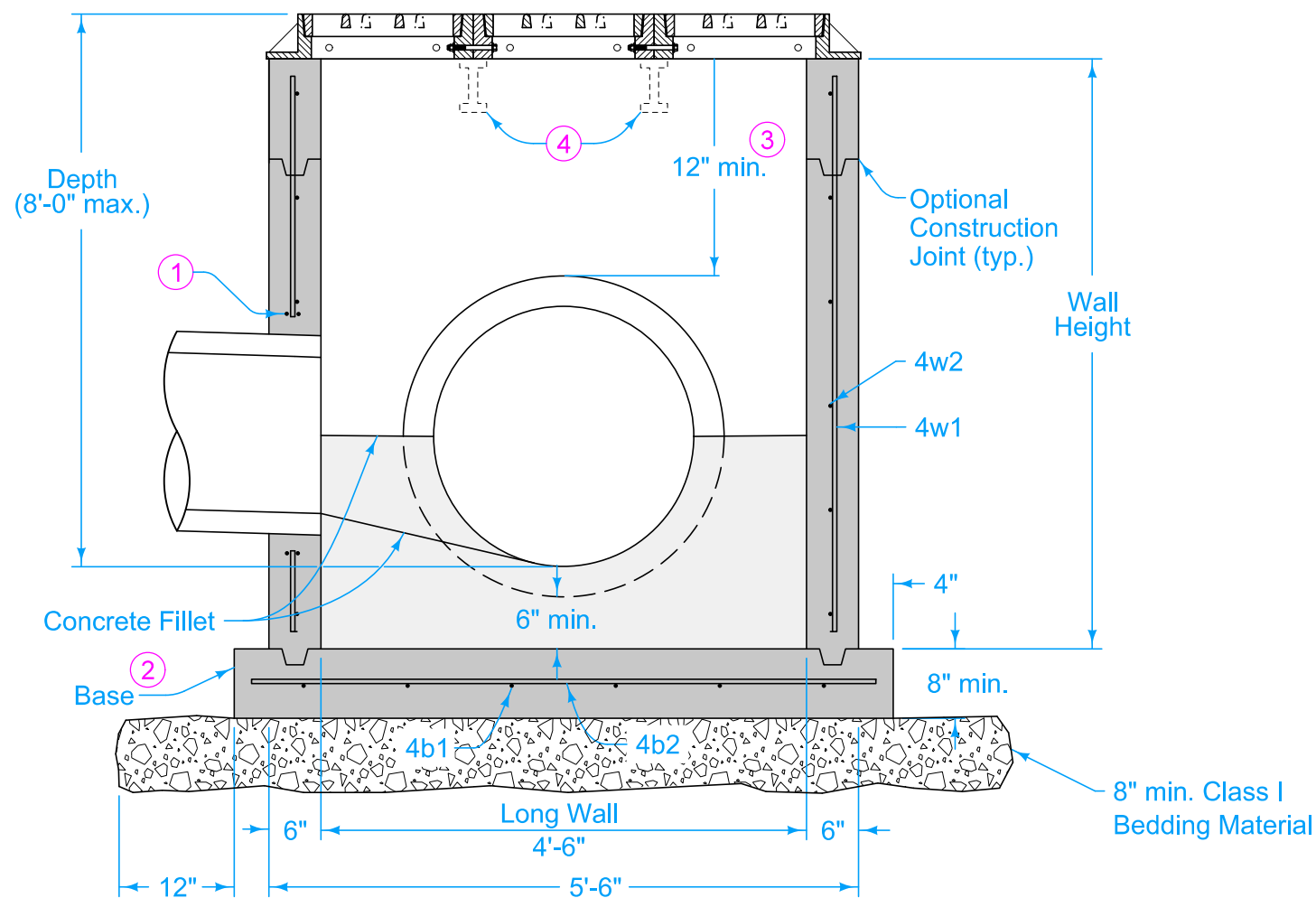


- ① Provide two #4 hoop bars at all pipe openings.
- ② Cast-in-place base shown. If base is precast integral with walls, the footprint of the base is not required to extend beyond the outer edge of the walls.
- ③ 12 inch minimum wall height above all pipes.
- ④ If required by casting manufacturer, provide support beam under all frame joints. Modify structure walls as required to provide pocket for beam.

SUDAS	IOWA DOT	REVISION	
		1	04-19-22
FIGURE 6010.515	STANDARD ROAD PLAN	<b>SW-515</b>	
		SHEET 1 of 2	
REVISIONS: Modified Type 7 Grate to SW-604 Type 7 Casting.			
Paul D. Wiegand SUDAS DIRECTOR		Stuart Miller DESIGN METHODS ENGINEER	
<b>TRIPLE RECTANGULAR AREA INTAKE</b>			



SECTION B-B

- ① Provide two #4 hoop bars at all pipe openings.
- ② Cast-in-place base shown. If base is precast integral with walls, the footprint of the base is not required to extend beyond the outer edge of the walls.
- ③ 12 inch minimum wall height above all pipes.
- ④ If required by casting manufacturer, provide support beam under all frame joints. Modify structure walls as required to provide pocket for beam.

REINFORCING BAR LIST						
Mark	Size	Location	Shape	Count	Length	Spacing
4b1	4	Base	—	6	3'-6"	12"
4b2	4	Base	—	4	5'-8"	12"
4w1	4	Walls	—	20	Wall Height minus 4"	12"
4w2	4	Short Wall	—	Varies	3'-0"	12"
4w3	4	Long Wall	—	Varies	5'-2"	12"

MAXIMUM PIPE DIAMETERS		
Pipe Location	Precast Structure	Cast-in-place Structure
Short Wall	18"	21"
Long Wall	36"	42"

SUDAS	IOWA DOT	REVISION	
		1	04-19-22
<b>FIGURE 6010.515</b>	<b>STANDARD ROAD PLAN</b>	<b>SW-515</b>	
		SHEET 2 of 2	

REVISIONS: Modified Type 7 Grate to SW-604 Type 7 Casting.

Paul D. Wrigand  
 SUDAS DIRECTOR

Stuart Miller  
 DESIGN METHODS ENGINEER

**TRIPLE RECTANGULAR AREA INTAKE**