

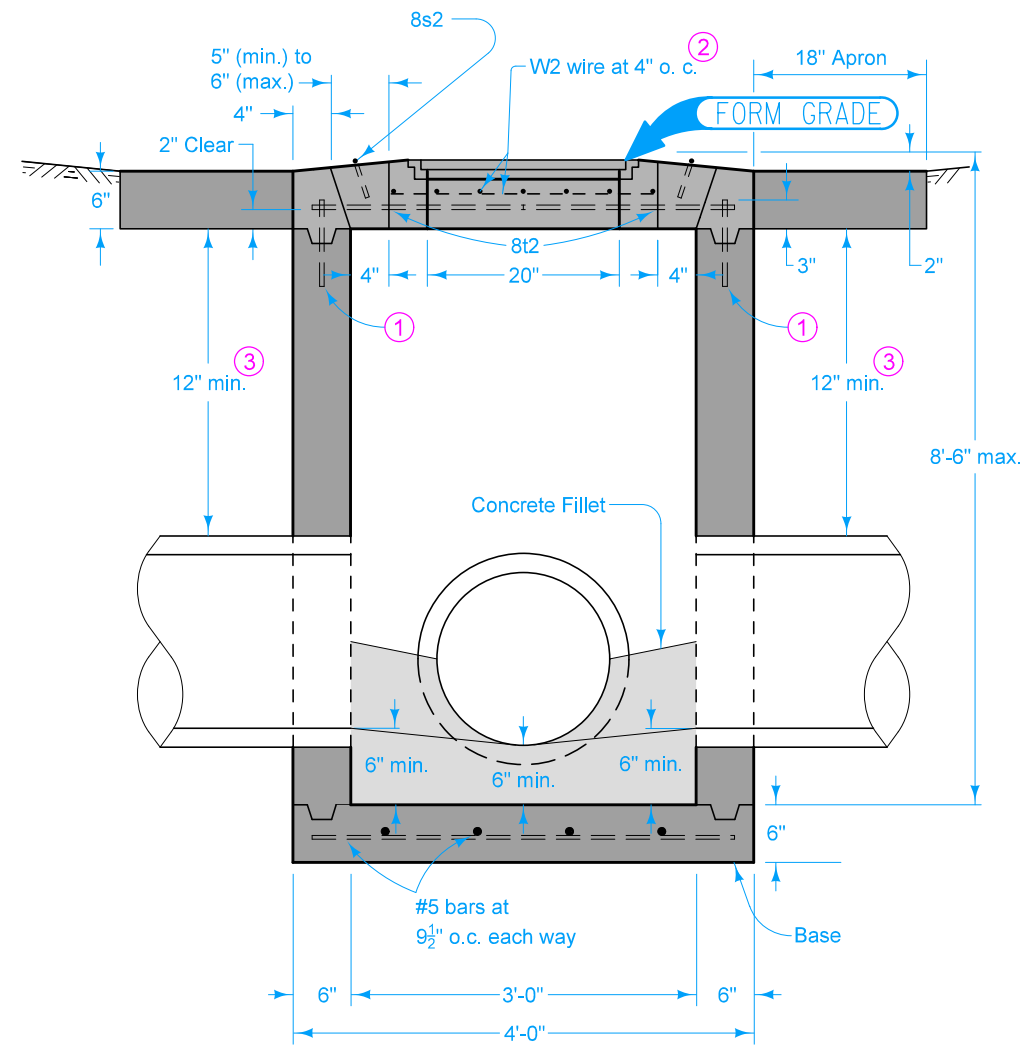
Top of intake may be poured in the field or precast. For precast units, place a 1 inch diameter X 3 inch deep alignment hole 3 inches from each side of the corners of the unit.

- ① Four #6 X 9 inch alignment pins (precast tops only).
- ② Meet the requirements of Article 4151.04 of the Standard Specifications.

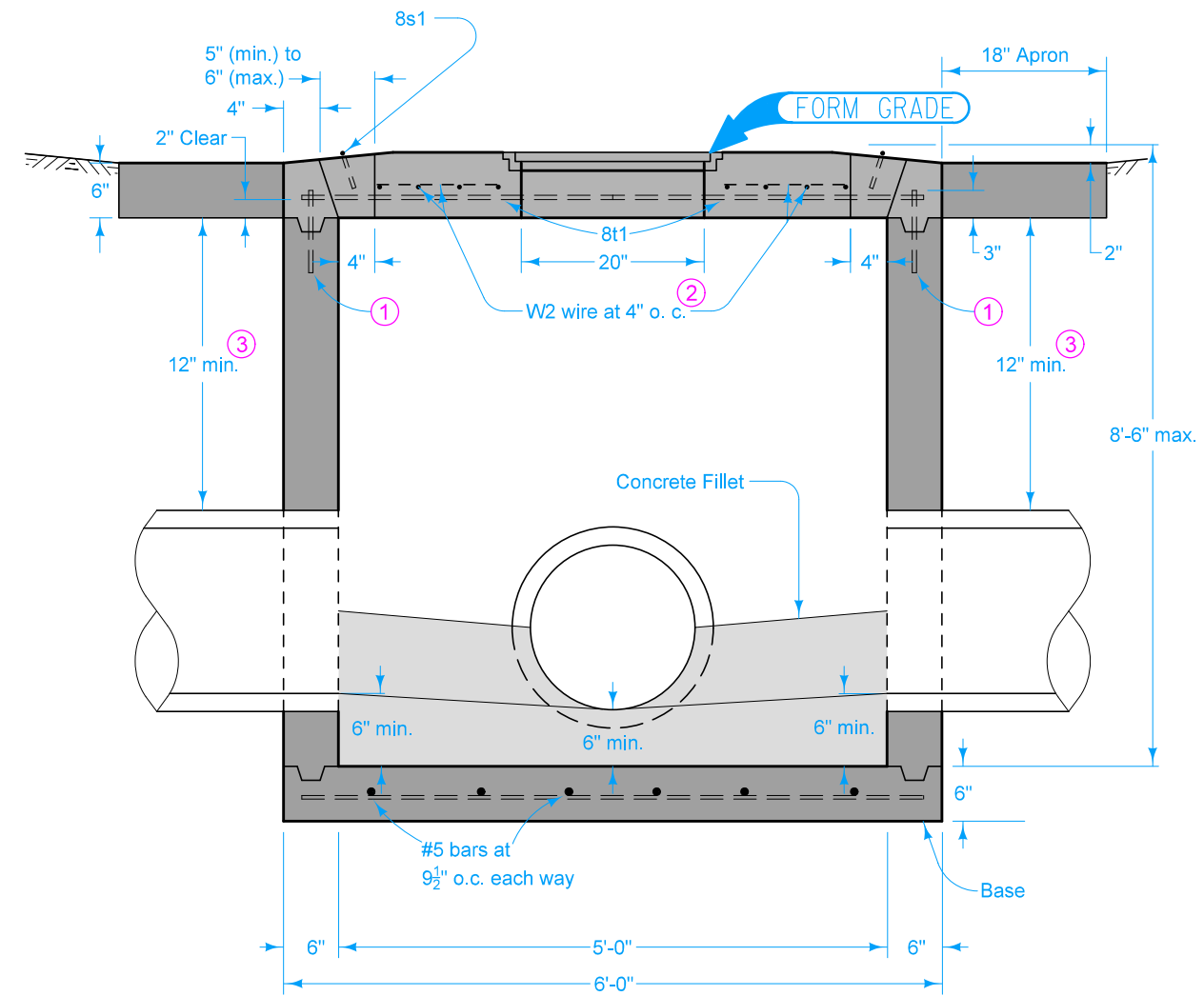
	REVISION	
	New	04-17-18
STANDARD ROAD PLAN		SW-563
REVISIONS: New.		SHEET 1 of 2
 <small>APPROVED BY DESIGN METHODS ENGINEER</small>		
VERTICAL THROAT AREA INTAKE (LARGE BOX)		

Short wall maximum pipe size 18 inches. Long wall maximum pipe size 36 inches.

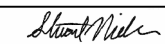
- ① Four #6 X 9 inch alignment pins (precast tops only).
- ② Meet the requirements of Article 4151.04 of the Standard Specifications.
- ③ 12 inch minimum wall height above all pipes.



SECTION A-A
(Short Wall)



SECTION B-B
(Long Wall)

IOWA DOT	REVISION	
	New	04-17-18
STANDARD ROAD PLAN		SW-563
REVISIONS: New.		SHEET 2 of 2
 APPROVED BY DESIGN METHODS ENGINEER		
VERTICAL THROAT AREA INTAKE (LARGE BOX)		