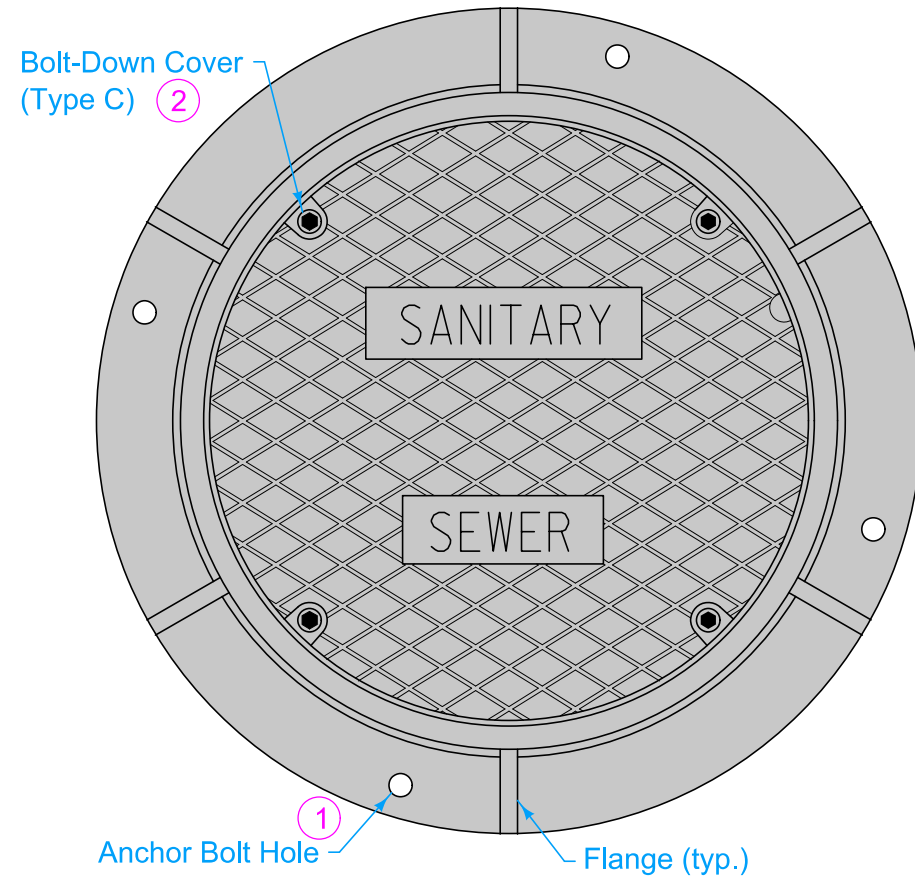
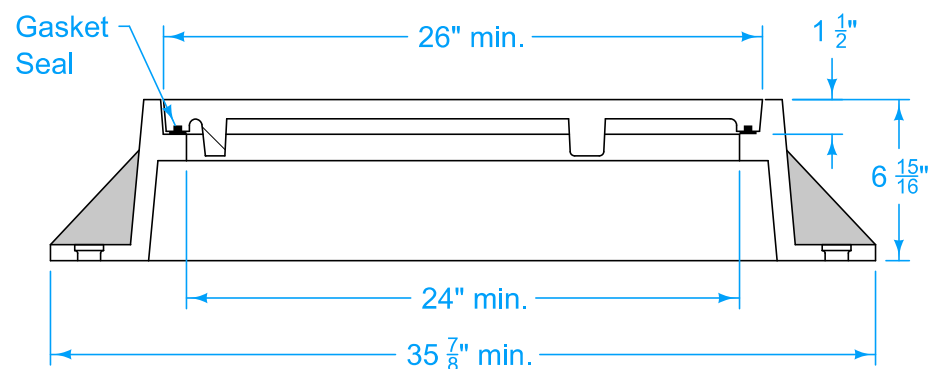


TYPE A
Two-piece fixed casting

TYPE C
Two-piece fixed casting with bolt-down cover (2)



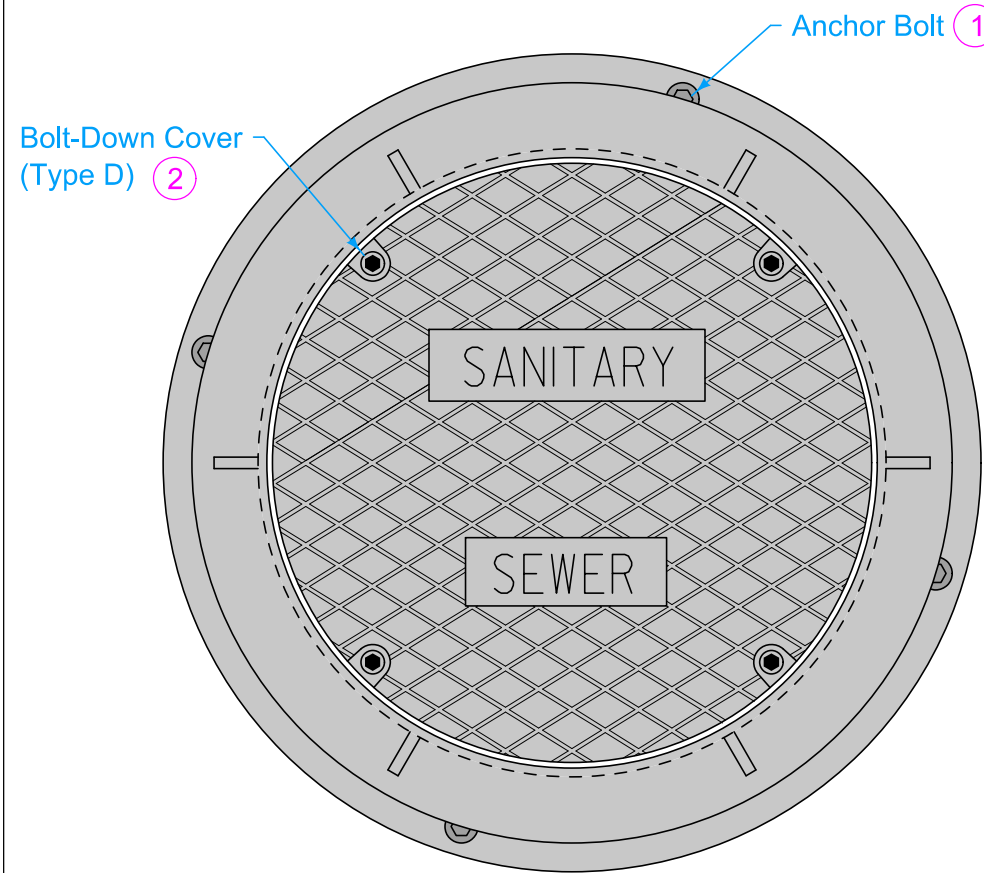
PLAN



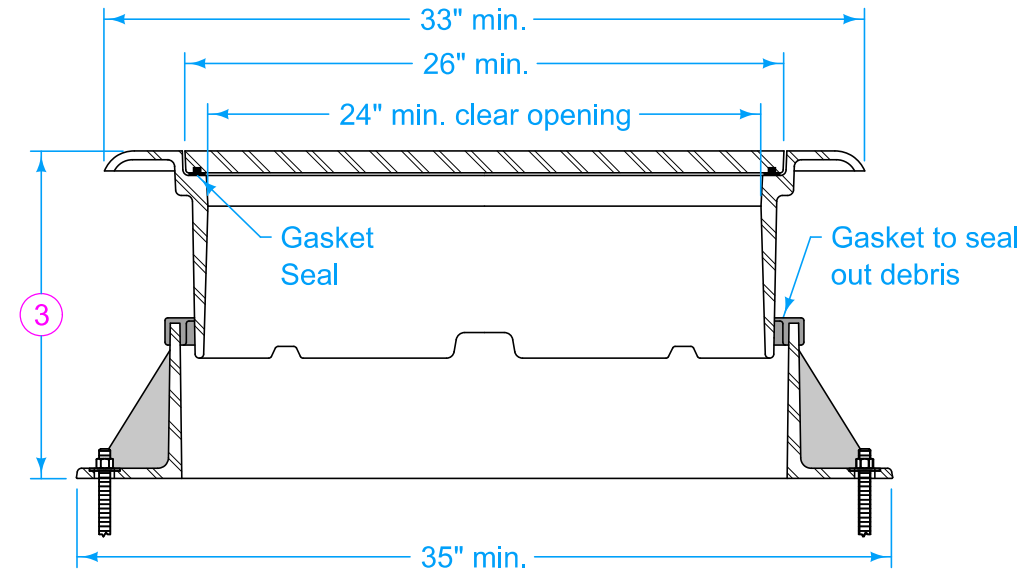
TYPICAL SECTION

TYPE B: HMA
Three-piece floating casting for use in HMA paving

TYPE D: HMA
Three-piece floating casting with bolt-down cover for use in HMA paving (2)



PLAN



TYPICAL SECTION

Frame Notes:
Size, spacing, and number of lugs and flanges may vary.

Cover Notes:
Roughness pattern and text style may vary.
Minimum one concealed pickhole.

- (1) Anchor the lower frame of all three-piece castings to the manhole structure. When specified in the contract documents, anchor the frame of two-piece castings to the manhole structure. If casting frame does not include anchor holes or slots, drill four 7/8 inch diameter holes, equally spaced around the frame.
- (2) If specified, furnish bolt down frame and cover with four 1/2 inch minimum diameter stainless steel, hex nut, recessed cap screws. Secure cover with screws, washers, and rubber gasket seals.
- (3) Casting height varies. Minimum adjustment range of 4 inches.

FIGURE 6010.601 SHEET 1 OF 2

SUDAS	IOWA DOT	REVISION	
		4	04-21-20
FIGURE 6010.601	STANDARD ROAD PLAN	SW-601	
		SHEET 1 of 2	

REVISIONS: Add option for 3-piece HMA casting.

Paul D. Wrigand
SUDAS DIRECTOR
 Stuart Miller
DESIGN METHODS ENGINEER

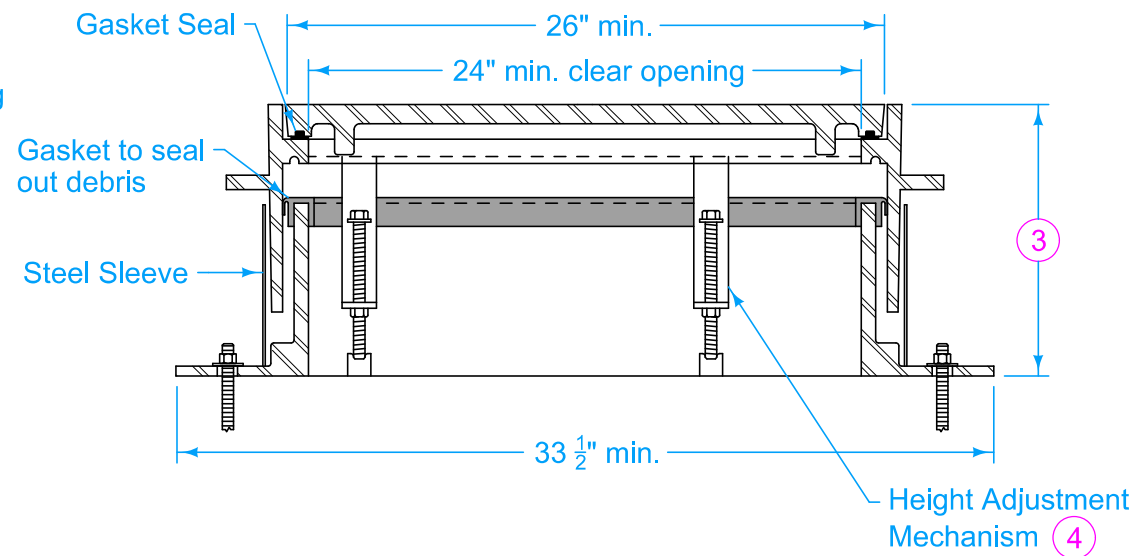
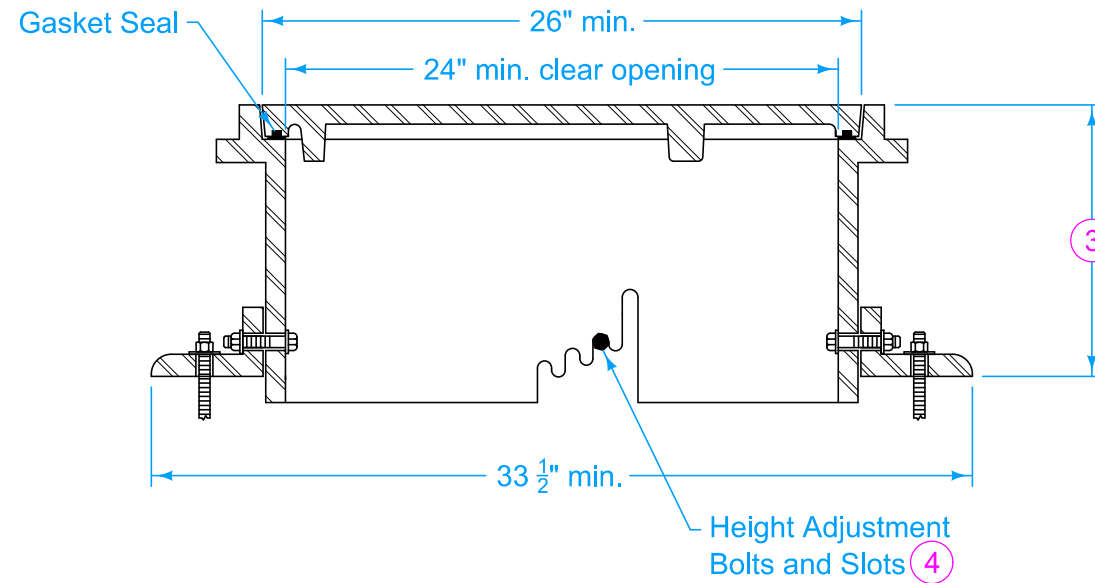
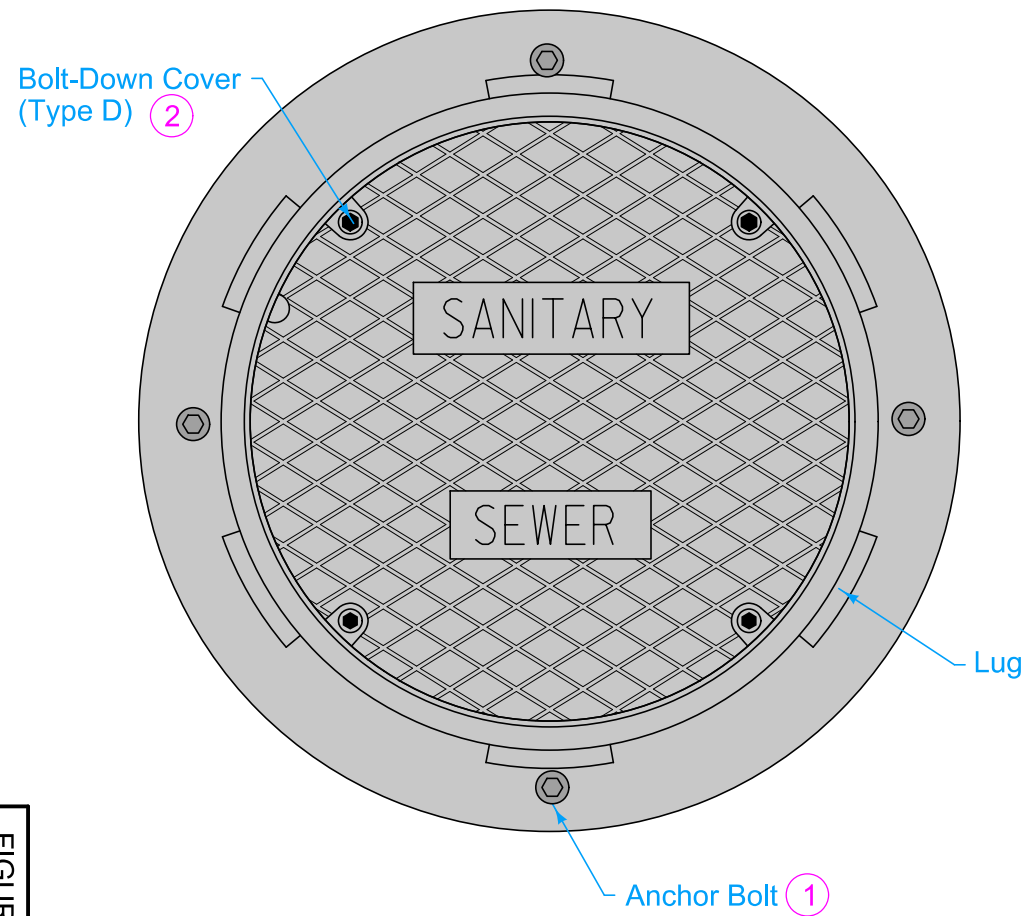
**CASTINGS FOR
SANITARY SEWER MANHOLES**

TYPE B: PCC

Three-piece floating casting for use in PCC paving and PCC boxouts

TYPE D: PCC

Three-piece floating casting with bolt-down cover for use in PCC paving and PCC boxouts



TYPICAL SECTION (5)

Frame Notes:
Size, spacing, and number of lugs and flanges may vary.

Cover Notes:
Roughness pattern and text style may vary.
Minimum one concealed pickhole.

- (1) Anchor the lower frame of all three-piece castings to the manhole structure. When specified in the contract documents, anchor the frame of two-piece castings to the manhole structure. If casting frame does not include anchor holes or slots, drill four 7/8 inch diameter holes, equally spaced around the frame.
- (2) If specified, furnish bolt down frame and cover with four 1/2 inch minimum diameter stainless steel, hex nut, recessed cap screws. Secure cover with screws, washers, and rubber gasket seals.
- (3) Casting height varies. Minimum adjustment range of 4 inches.
- (4) Set casting at proper grade using the adjustment slots or adjustment mechanism. Remove bolts or mechanism upon completion of paving.
- (5) Height adjustment method may vary; two options are shown.

SUDAS	IOWA DOT	REVISION	
		4	04-21-20
FIGURE 6010.601	STANDARD ROAD PLAN	SW-601 SHEET 2 of 2	

REVISIONS: Add option for 3-piece HMA casting.

Paul D. Wrigand
 SUDAS DIRECTOR

Stuart Miller
 DESIGN METHODS ENGINEER

**CASTINGS FOR
SANITARY SEWER MANHOLES**