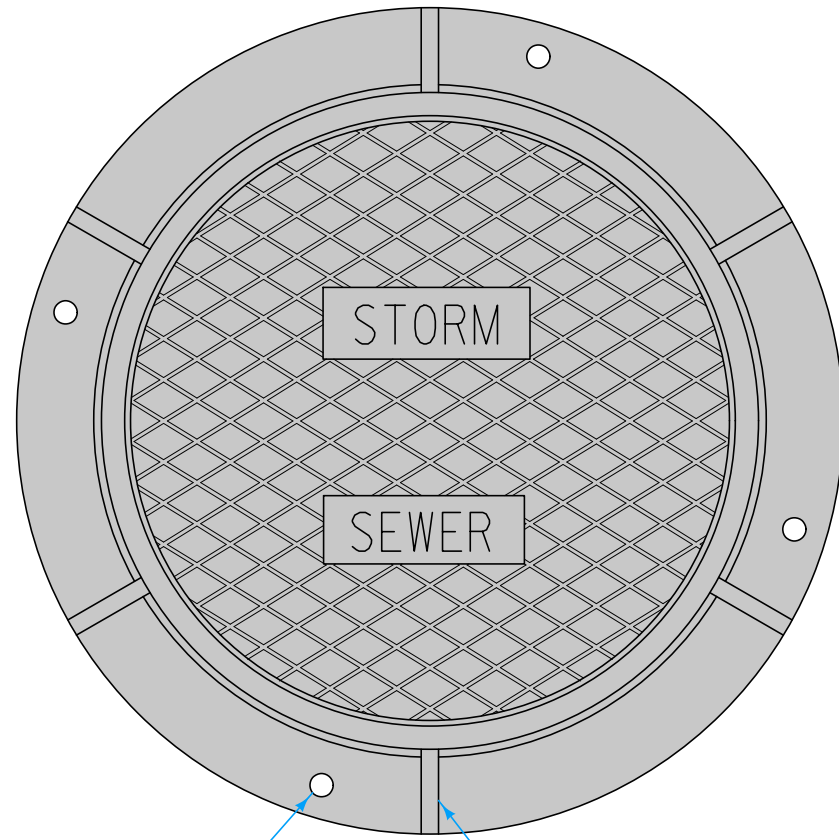
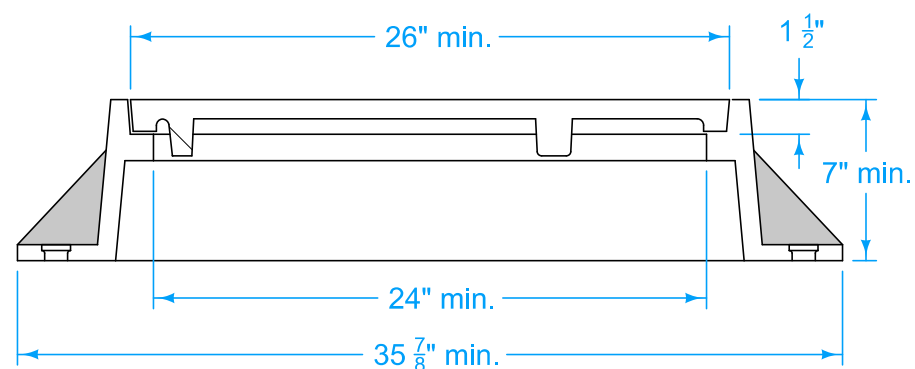


**TYPE E**  
Two-piece fixed casting

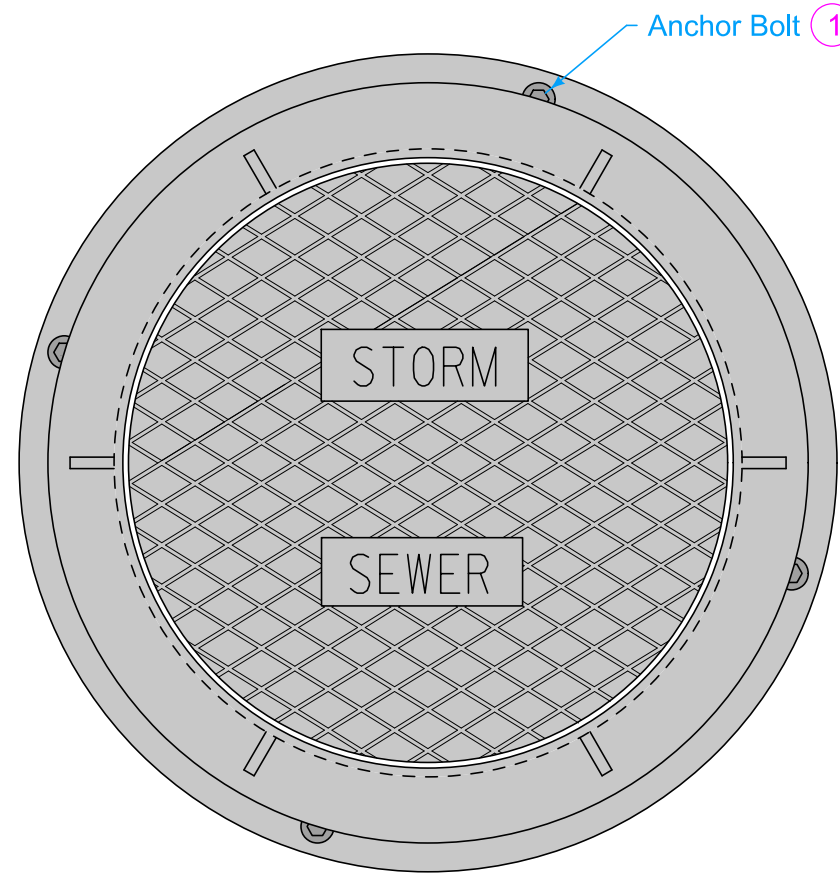


Anchor Bolt Hole ①  
Flange (typ.)  
**PLAN**

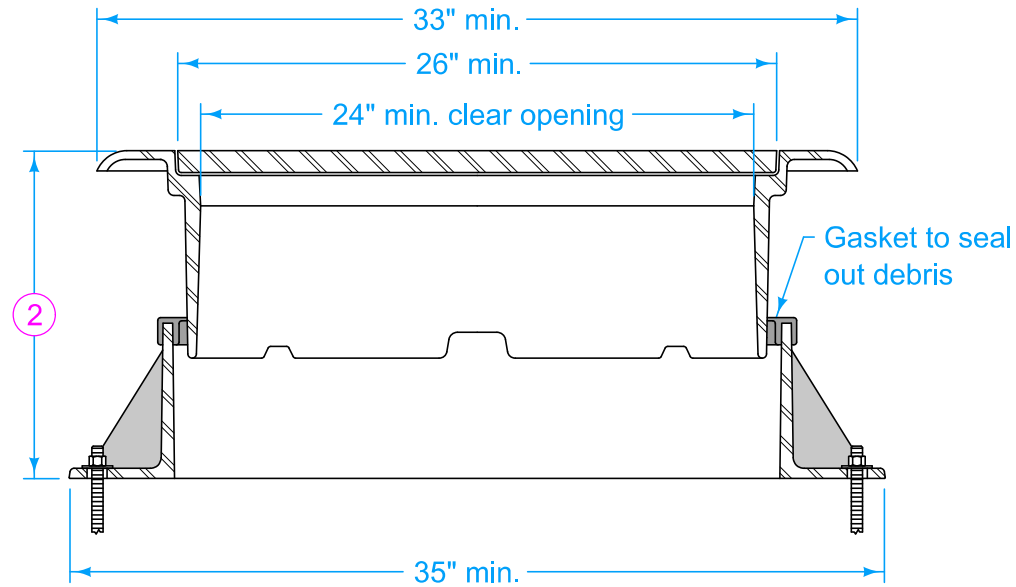


**TYPICAL SECTION**

**TYPE F: HMA**  
Three-piece floating casting for use in HMA paving



**PLAN**



**TYPICAL SECTION**

Frame Notes:  
Size, spacing, and number of lugs and flanges may vary.

Cover Notes:  
Roughness pattern and text style may vary.  
Minimum one pickhole.

- ① Anchor the lower frame of all three-piece castings to the manhole structure. When specified in the contract documents, anchor the frame of two-piece castings to the manhole structure. If casting frame does not include anchor holes or slots, drill four 7/8 inch diameter holes, equally spaced around the frame.
- ② Casting height varies. Minimum adjustment range of 4 inches.

SUDAS	IOWA DOT	REVISION	
		4	04-21-20
FIGURE 6010.602	STANDARD ROAD PLAN	<b>SW-602</b>	
		SHEET 1 of 3	

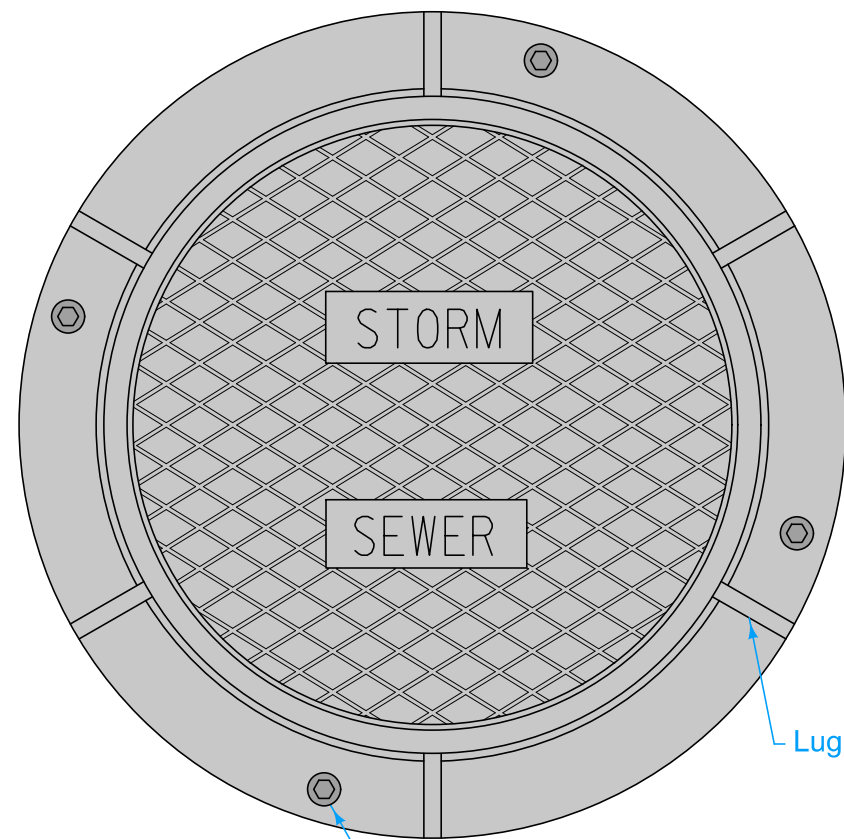
REVISIONS: Add option for 3-piece HMA casting.

Paul D. Wrigand  
SUDAS DIRECTOR

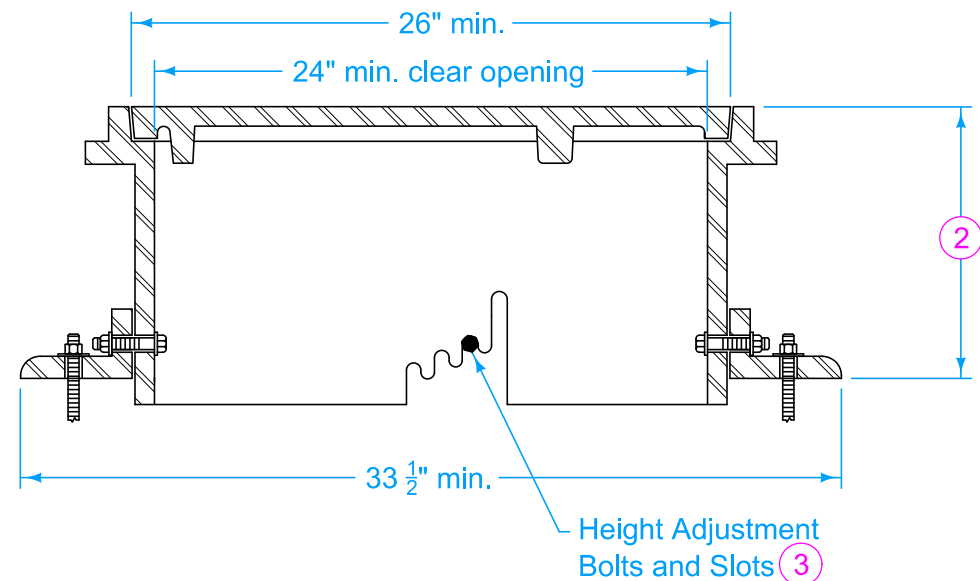
Stuart Miller  
DESIGN METHODS ENGINEER

**CASTINGS FOR  
STORM SEWER MANHOLES**

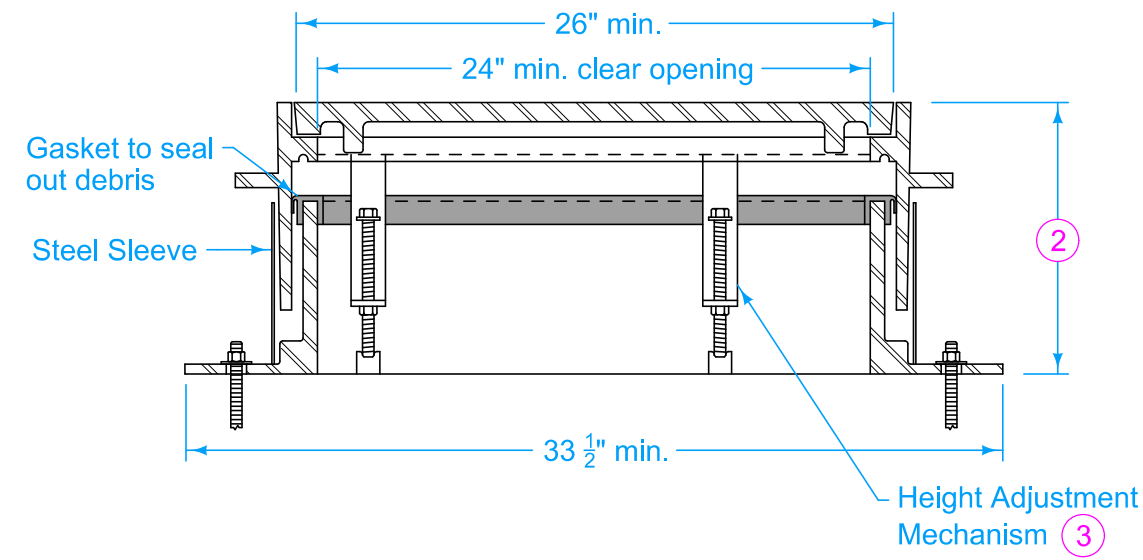
**TYPE F: PCC**  
 Three-piece floating casting for use  
 in PCC paving and PCC boxouts



PLAN



TYPICAL SECTION (4)



Frame Notes:  
 Size, spacing, and number of lugs and flanges may vary.

Cover Notes:  
 Roughness pattern and text style may vary.  
 Minimum one pickhole.

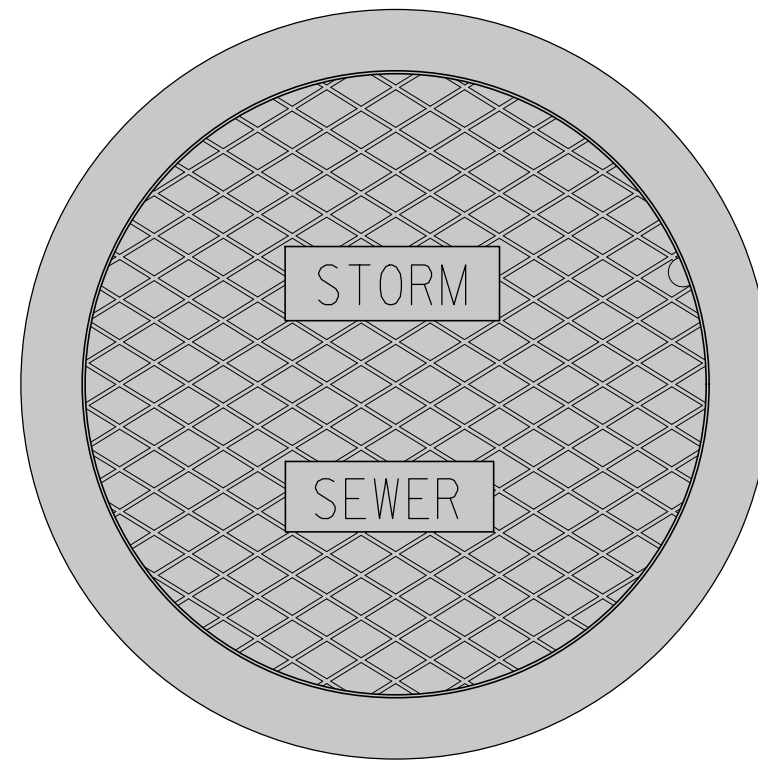
- (1) Anchor the lower frame of all three-piece castings to the manhole structure. When specified in the contract documents, anchor the frame of two-piece castings to the manhole structure. If casting frame does not include anchor holes or slots, drill four 7/8 inch diameter holes, equally spaced around the frame.
- (2) Casting height varies. Minimum adjustment range of 4 inches.
- (3) Set casting at proper grade using the adjustment slots or adjustment mechanism. Remove bolts or mechanism upon completion of paving.
- (4) Height adjustment method may vary; two options are shown.

SUDAS	IOWA DOT	REVISION	
		4	04-21-20
FIGURE 6010.602	STANDARD ROAD PLAN	<b>SW-602</b> SHEET 2 of 3	
REVISIONS: Add option for 3-piece HMA casting.			
<i>Paul D. Wrigand</i> SUDAS DIRECTOR		<i>Stuart Miller</i> DESIGN METHODS ENGINEER	

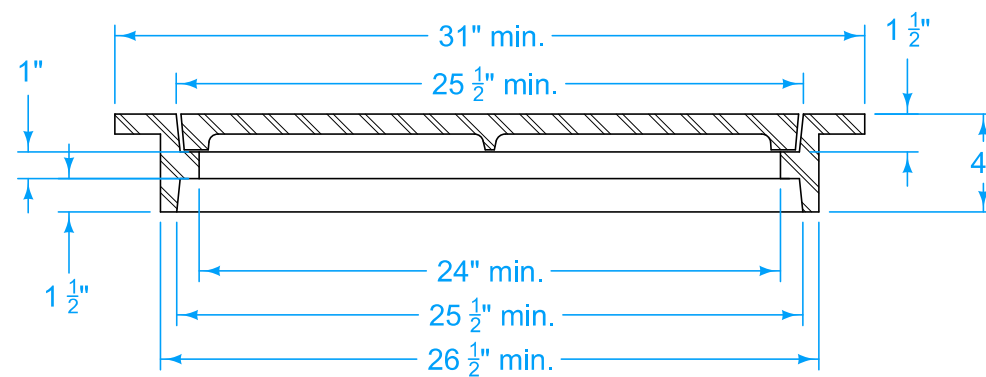
**CASTINGS FOR  
 STORM SEWER MANHOLES**

**TYPE G**  
Two piece fixed casting

Cover Notes:  
Roughness pattern and text style may vary.  
Minimum one pickhole.



PLAN



TYPICAL SECTION

FIGURE 6010.602  
SHEET 3 OF 3

SUDAS	IOWA DOT	REVISION	
		4	04-21-20
FIGURE 6010.602	STANDARD ROAD PLAN	<b>SW-602</b>	
		SHEET 3 of 3	

REVISIONS: Add option for 3-piece HMA casting.

Paul D. Wrigand  
SUDAS DIRECTOR
 Stuart Miller  
DESIGN METHODS ENGINEER

**CASTINGS FOR  
STORM SEWER MANHOLES**