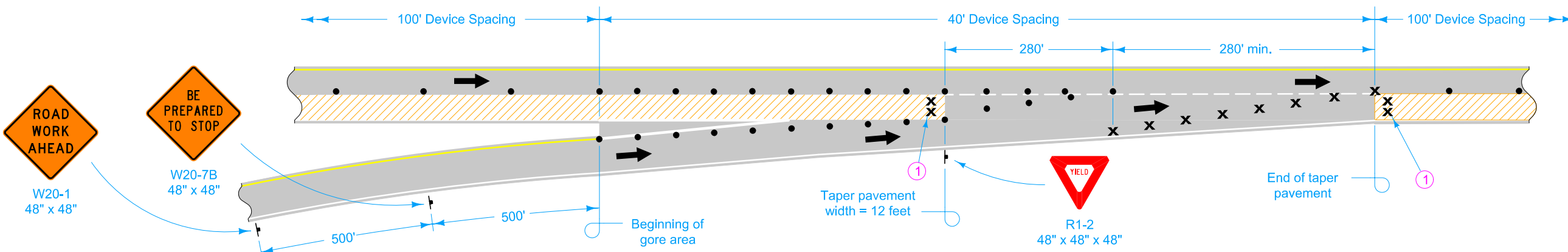
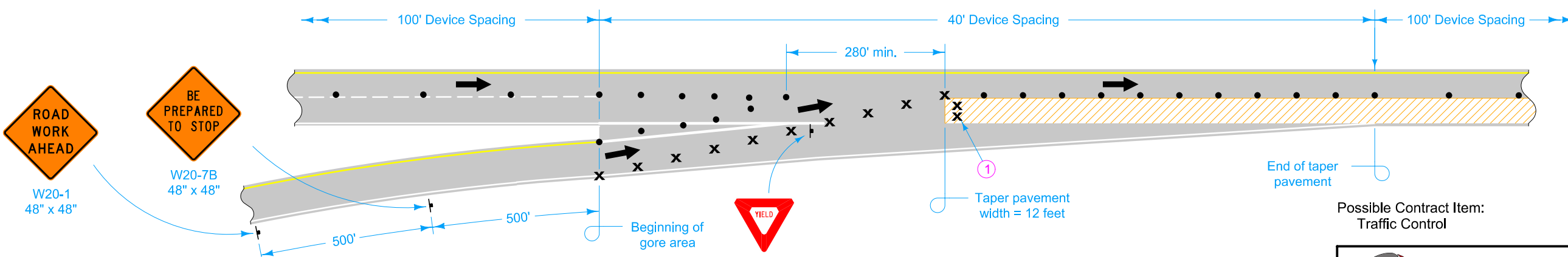


LEFT LANE CLOSURE THROUGH ENTRANCE RAMP



RIGHT LANE CLOSURE THROUGH ENTRANCE RAMP



STAGING THROUGH ENTRANCE RAMP

Possible Contract Item:
Traffic Control

LEGEND

- x Drum
- | Traffic Sign
- 42" Channelizer
- ← Direction of Traffic
- ▨ Work Area

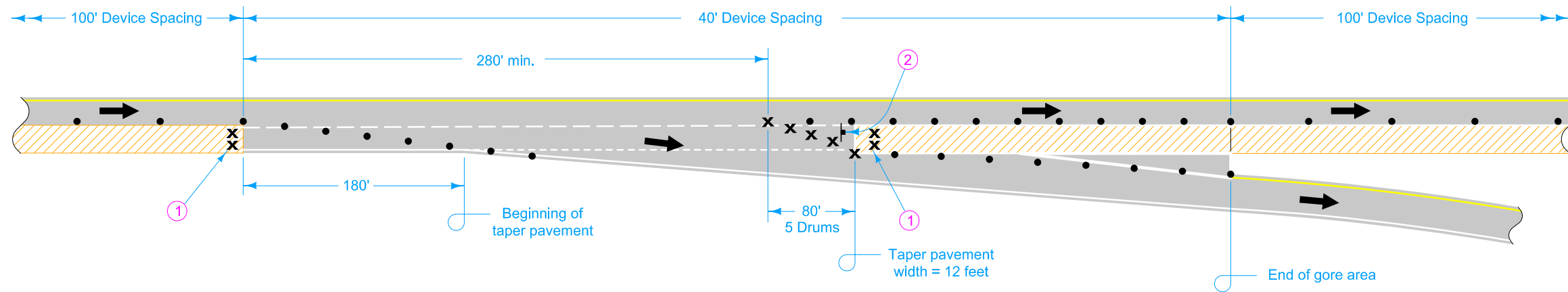
① For lanes closed to traffic, place two drums every 1000 feet. For full depth excavations in a closed lane, place two drums in front of each location. Additional drums need not be placed for full depth excavations spaced closer than 150 feet.

 STANDARD ROAD PLAN	REVISION	
	7	10-16-18
	TC-420	
SHEET 1 of 5		

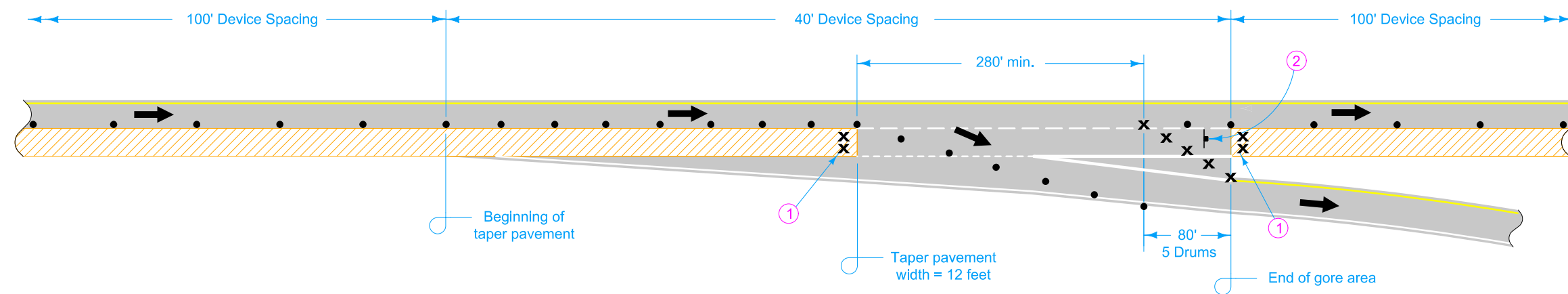
REVISIONS: Added drums in work area and modified circle notes. Added Type III Barricade to Legend on Sheet 4.

Steve Miller
APPROVED BY DESIGN METHODS ENGINEER

LANE CLOSURE AT RAMPS



RIGHT LANE CLOSURE THROUGH EXIT RAMP



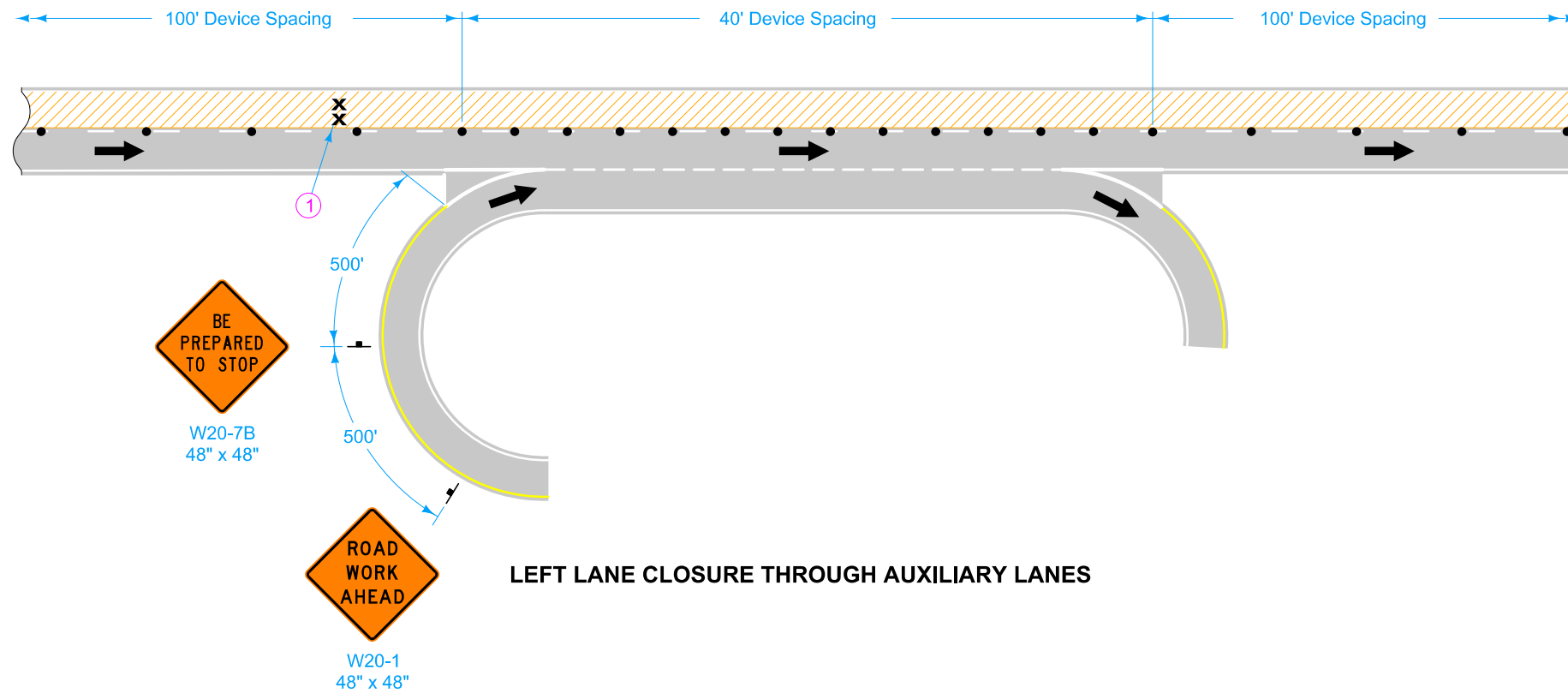
STAGING THROUGH EXIT RAMP

LEGEND	
x	Drum
↑	Traffic Sign
•	42" Channelizer
←	Direction of Traffic
▨	Work Area

① For lanes closed to traffic, place two drums every 1000 feet. For full depth excavations in a closed lane, place two drums in front of each location. Additional drums need not be placed for full depth excavations spaced closer than 150 feet.

② Temporary EXIT sign, mounted so that bottom of sign is a minimum of 3 feet above pavement surface. If in place for more than one day, mount an Exit Number Panel with the proper exit number above the temporary EXIT sign. See SI-881 for details.

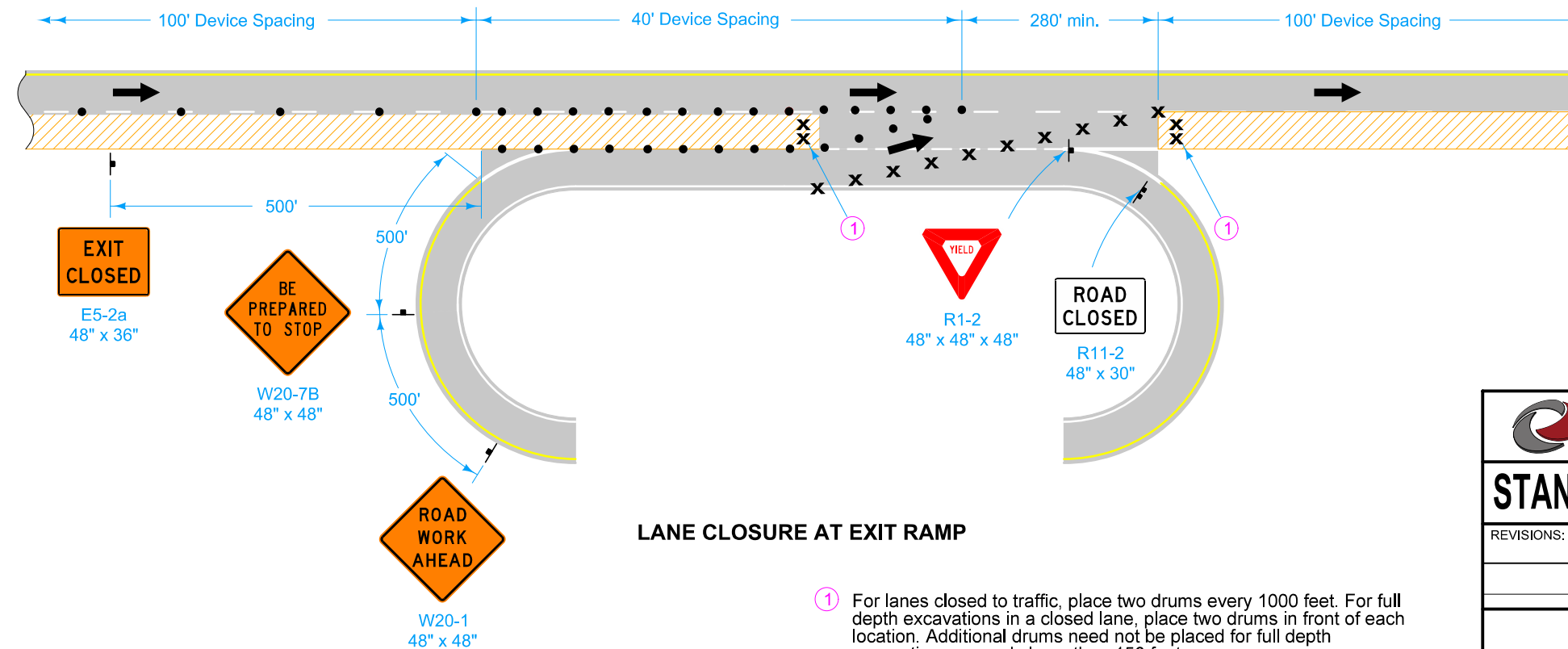
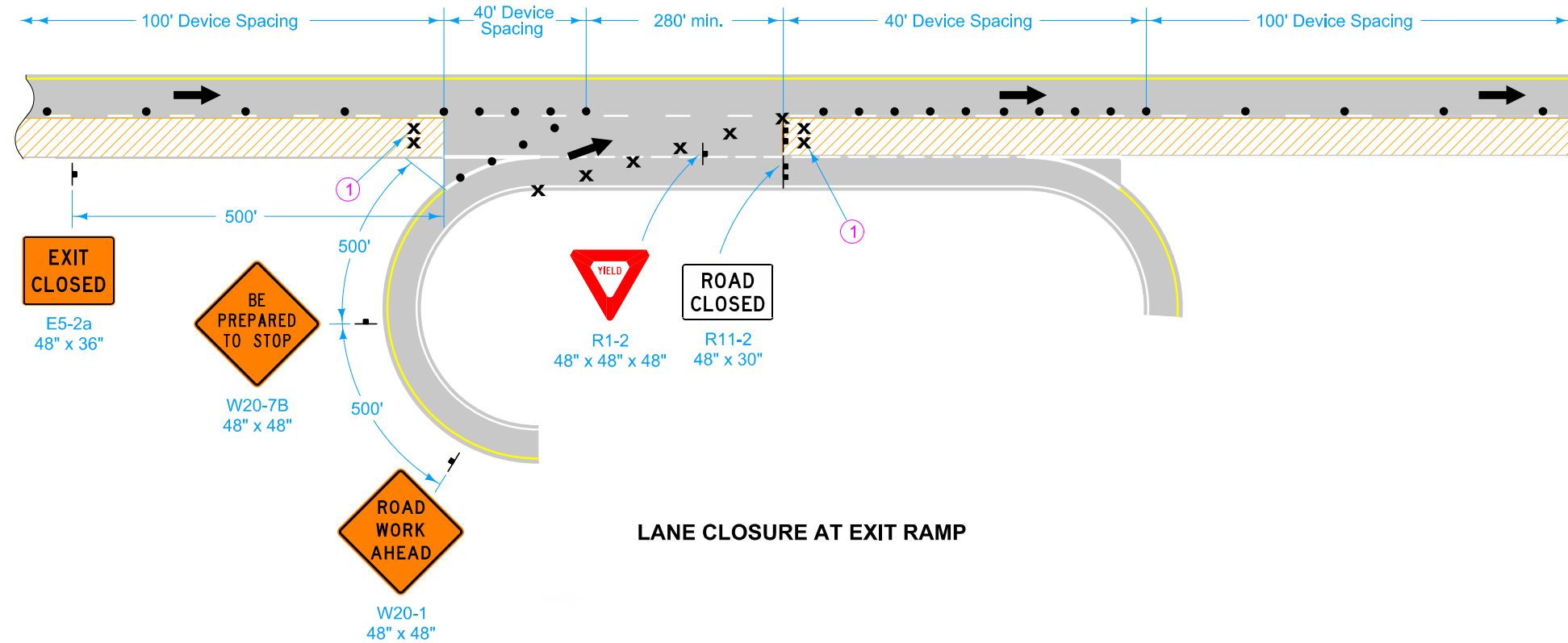
	REVISION	
	7	10-16-18
STANDARD ROAD PLAN		TC-420
		SHEET 2 of 5
REVISIONS: Added drums in work area and modified circle notes. Added Type III Barricade to Legend on Sheet 4.		
APPROVED BY DESIGN METHODS ENGINEER		
LANE CLOSURE AT RAMPS		



① For lanes closed to traffic, place two drums every 1000 feet. For full depth excavations in a closed lane, place two drums in front of each location. Additional drums need not be placed for full depth excavations spaced closer than 150 feet.

LEGEND	
x	Drum
⊣	Traffic Sign
•	42" Channelizer
←	Direction of Traffic
▨	Work Area

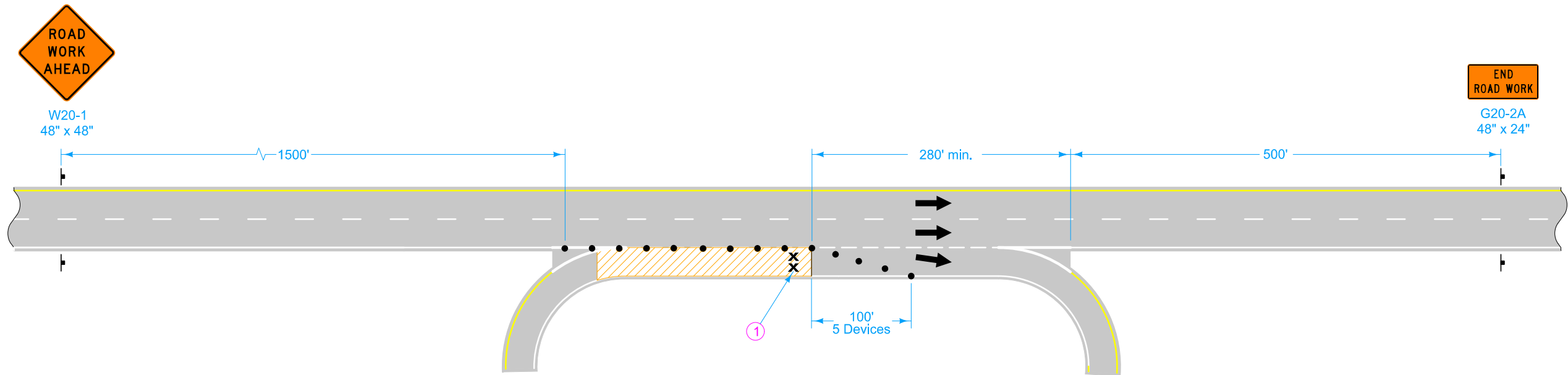
	REVISION	
	7	10-16-18
STANDARD ROAD PLAN		TC-420
		SHEET 3 of 5
REVISIONS: Added drums in work area and modified circle notes. Added Type III Barricade to Legend on Sheet 4.		
APPROVED BY DESIGN METHODS ENGINEER		
LANE CLOSURE AT RAMPS		



① For lanes closed to traffic, place two drums every 1000 feet. For full depth excavations in a closed lane, place two drums in front of each location. Additional drums need not be placed for full depth excavations spaced closer than 150 feet.

LEGEND	
	Type III Barricade
	Drum
	Traffic Sign
	42" Channelizer
	Direction of Traffic
	Work Area

	REVISION	
	7	10-16-18
STANDARD ROAD PLAN		TC-420
		SHEET 4 of 5
REVISIONS: Added drums in work area and modified circle notes. Added Type III Barricade to Legend on Sheet 4.		
APPROVED BY DESIGN METHODS ENGINEER		
LANE CLOSURE AT RAMPS		



LANE CLOSURE AT EXIT RAMP

LEGEND	
x	Drum
†	Traffic Sign
•	42" Channelizer
←	Direction of Traffic
	Work Area

① For lanes closed to traffic, place two drums every 1000 feet. For full depth excavations in a closed lane, place two drums in front of each location. Additional drums need not be placed for full depth excavations spaced closer than 150 feet.

	REVISION	
	7	10-16-18
STANDARD ROAD PLAN		TC-420
		SHEET 5 of 5
REVISIONS: Added drums in work area and modified circle notes. Added Type III Barricade to Legend on Sheet 4.		
APPROVED BY DESIGN METHODS ENGINEER		
LANE CLOSURE AT RAMPS		