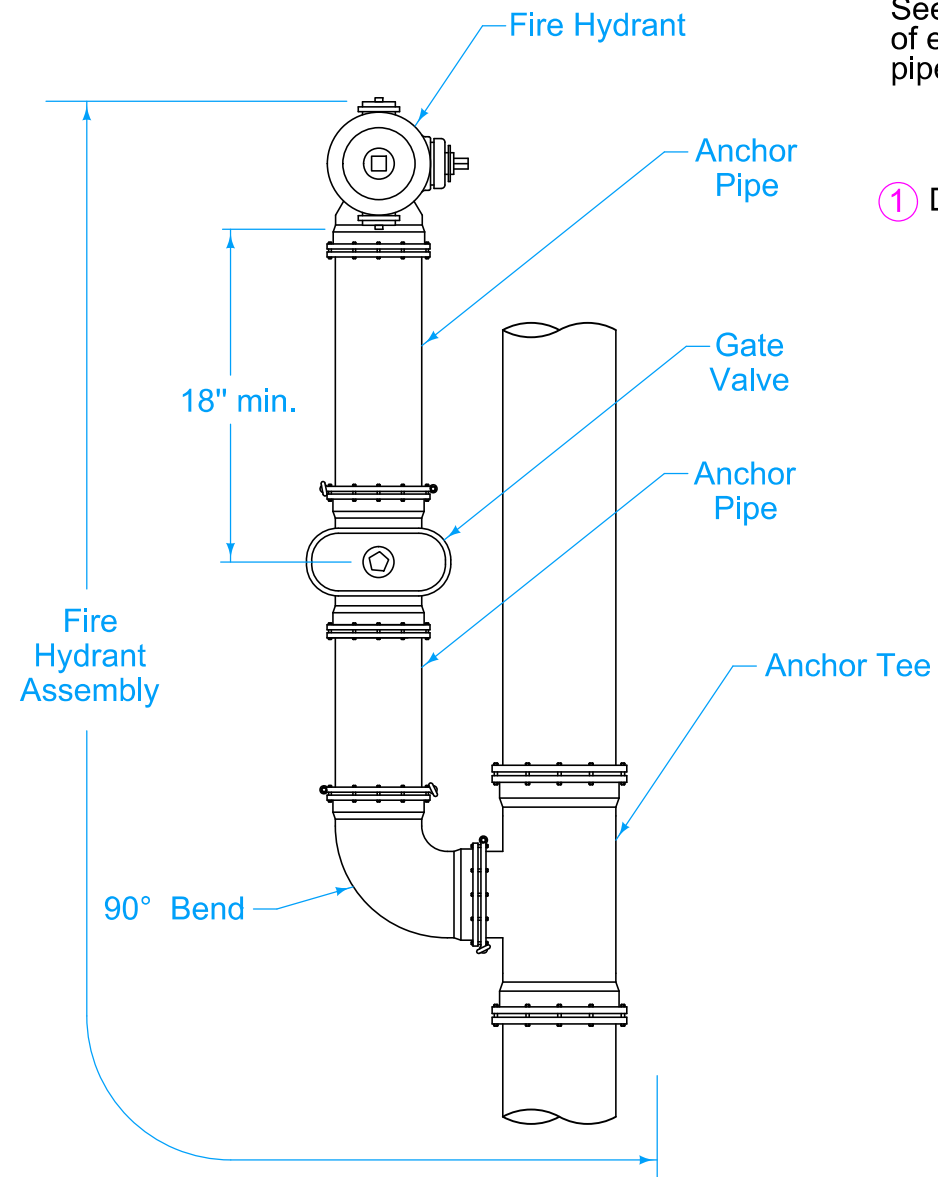
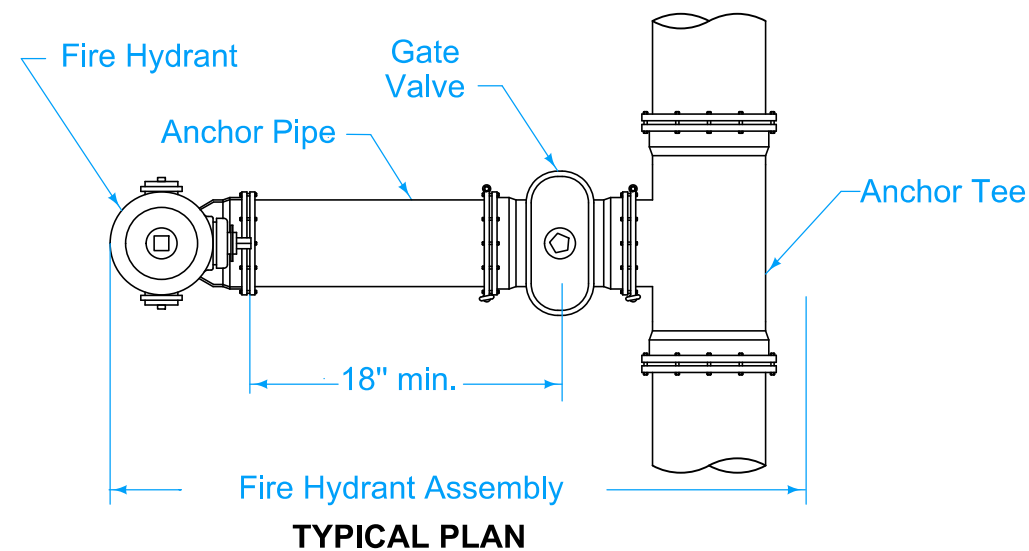


TYPICAL SECTION



ALTERNATE PLAN



TYPICAL PLAN

Use ductile iron pipe with restrained mechanical joints for fire hydrant assembly and anchor tee.

All shaded items are included in the Fire Hydrant Assembly bid item.

See the contract documents for the location of each hydrant and the length of anchoring pipe.

① Do not cover drain holes or tracer wire.

FIGURE 5020.201 SHEET 1 OF 1

SUDAS	IOWA DOT	REVISION	
		4	04-19-22
FIGURE 5020.201	STANDARD ROAD PLAN	WM-201	
		SHEET 1 of 1	

REVISIONS: Added general note for location and length.

Paul D. Wrigand
 SUDAS DIRECTOR

Stuart Miller
 DESIGN METHODS ENGINEER

FIRE HYDRANT ASSEMBLY