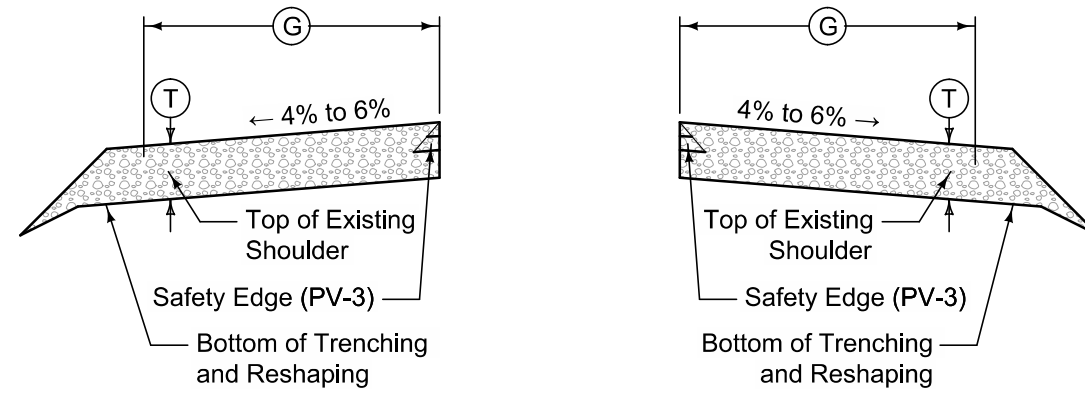


SHOULDERS

3R



Type 'A' Granular Shoulder

3R_Shldr_G_Overlay_A_				
10-18-11				
STATION TO STATION	TONS PER STA.	(T) Feet	(G) Feet	