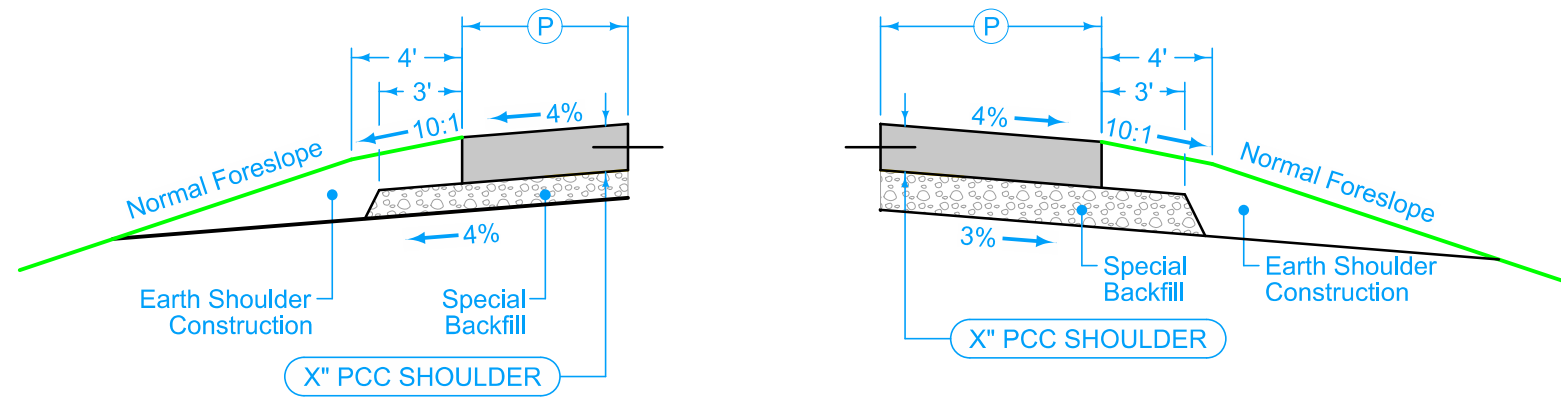


AUXILIAR LANE SHOULDERS

4 LANE



Auxiliary Lane Full Depth Shoulder

Shoulder Jointing:
 Longitudinal joint: L-2
 Transverse joints: C at 17' spacing

4_AL_Shldr_FullPCC_
 04-15-25

(P)
Feet