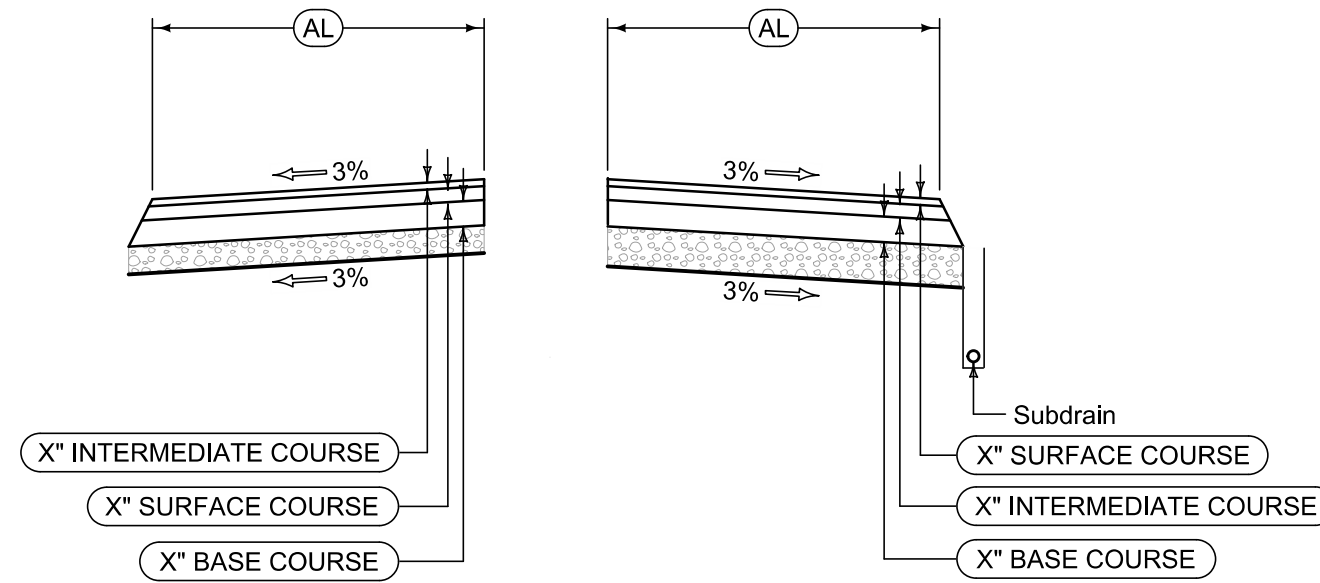


AUXILIARY LANES

4 LANE



Auxiliary Lane

Longitudinal joint: B

4_AuxLane_HMA_ 10-18-16			
Direction of Travel	BEGIN STATION	END STATION	(AL) Feet