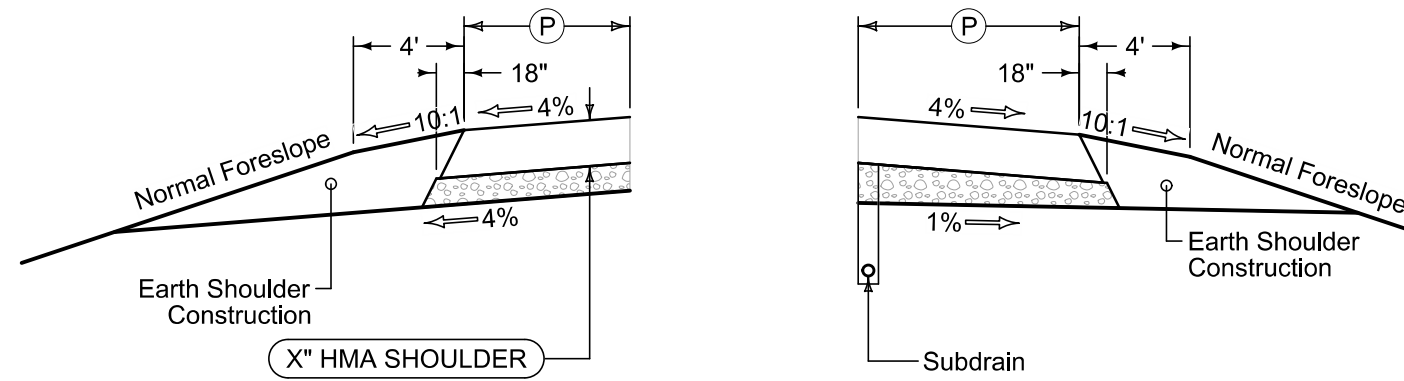


SHOULDERS

4 LANE



Full Depth HMA Shoulder

Shoulder Jointing:
 Longitudinal joint: B

4_P_FullHMA_ 04-21-20			
Direction of Travel	BEGIN STATION	END STATION	(P) Feet