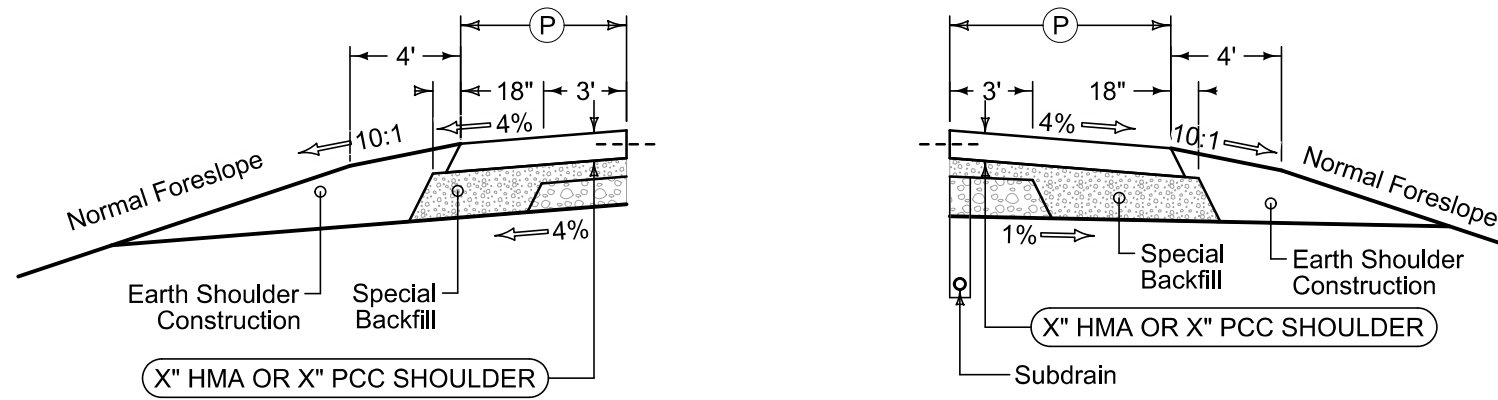


SHOULDERS

4 LANE



Paved Shoulder at Guardrail

PCC Shoulder Jointing:
 Longitudinal joint: BT-1 or BT-5
 Transverse joints: C at mainline spacing
 HMA Shoulder Jointing
 Longitudinal joint: B

4_P_Guard_ 04-21-20			
Direction of Travel	BEGIN STATION	END STATION	(P) Feet