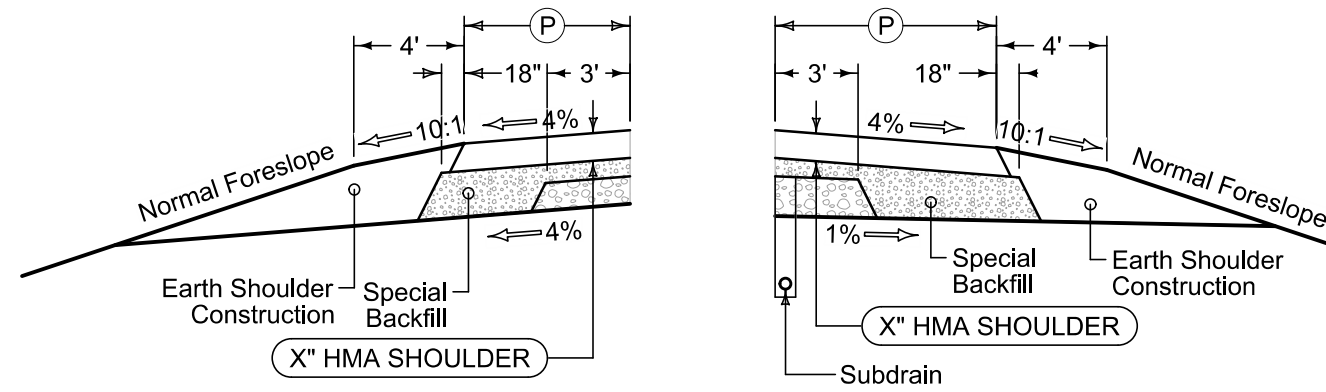


SHOULDERS

4 LANE



HMA Shoulder

Shoulder Jointing:
Longitudinal joint: B

4_P_HMA_ 04-21-20			
Direction of Travel	BEGIN STATION	END STATION	(P) Feet