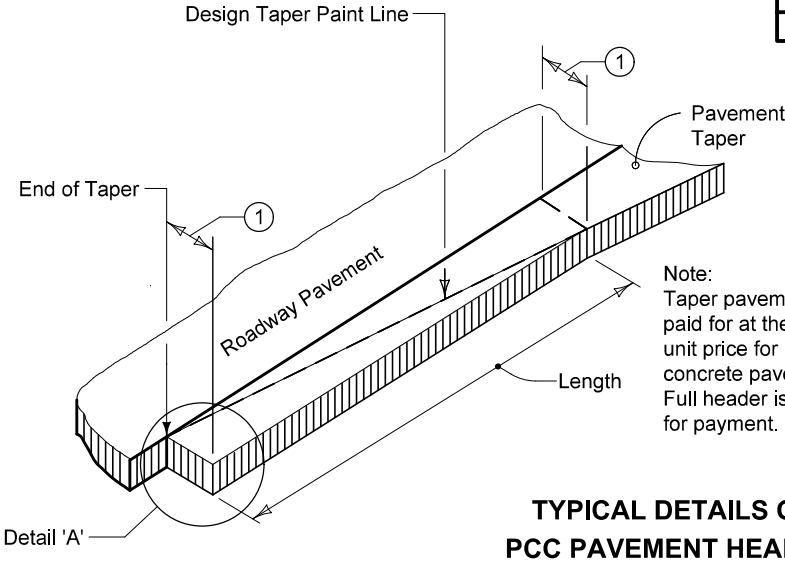
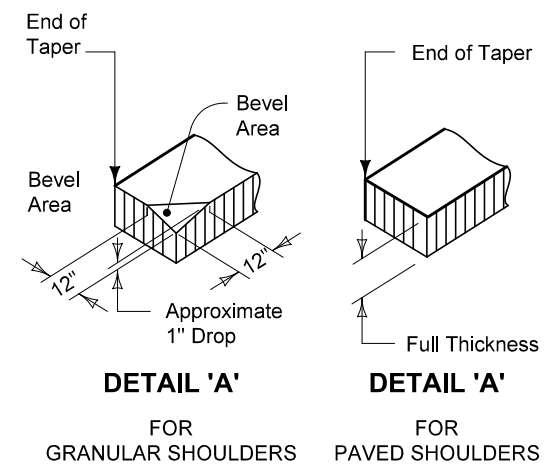


7101
10-19-10



Note:
Taper pavement to be
paid for at the contract
unit price for P.C.
concrete pavement.
Full header is included
for payment.

① Normal width is 2'-0". Construct 4'-0"
width when butting into 4' wide HMA
shoulders (See Typical 7154A).

**TYPICAL DETAILS OF
PCC PAVEMENT HEADER**