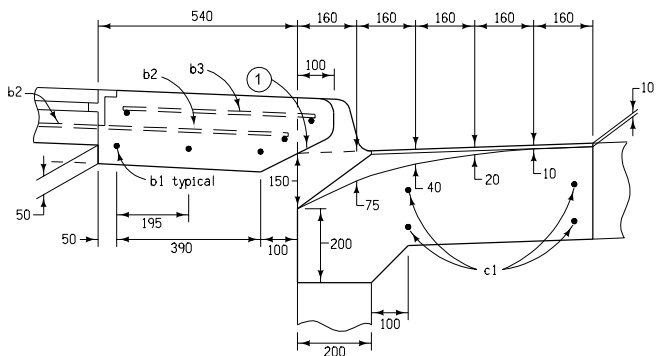


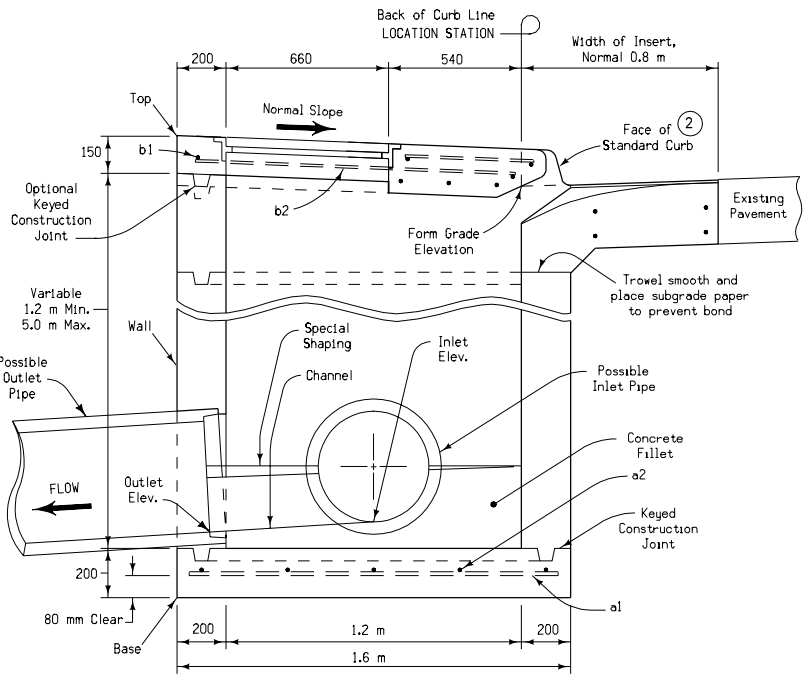
PLAN VIEW



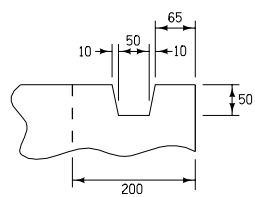
INSERT DETAIL

Contract Item:
Intake, RA-40
Tabulation: 104-5B

- ① 2:1 slope (horizontal:vertical)
- ② Dimensions shown are for the construction of a 150 millimeter standard curb as part of the pavement. Modifications may be made to conform to other curb shapes.



SECTION A-A



KEYED CONSTRUCTION JOINT DETAIL

For joint details, see Standard Road Plans RH-50, RH-51, and RH-52.

Placing sequence: 1. Base; 2. Walls; 3. Insert; 4. Top

REINFORCING BAR LIST						
MARK	SIZE	LOCATION	SHAPE	NO.	LENGTH	SPACING
a1	15	Base	—	5	1500	12 kg 350
a2	15	Base	—	5	1500	12 kg 350
b1	15	Top	—	7	1500	17 kg See Detail
b2	15	Top	—	4	1300	8 kg See Detail
b3	15	Top	—	8	540	7 kg See Detail
c1	15	Insert	—	4	3500	22 kg
					5900	37 kg
					Total	78 kg
						93 kg

All dimensions given in millimeters unless noted.

METRIC VERSION	Iowa Department of Transportation Highway Division	
	STANDARD ROAD PLAN RA-40	
	REVISION: Modify special shaping dimension on Insert detail.	
	<i>William J. Sten</i> APPROVED BY DESIGN METHODS ENGINEER	
	CURB INTAKE (BEHIND CURB)	
	REVISION NO. 3	REVISION DATE 10-18-05