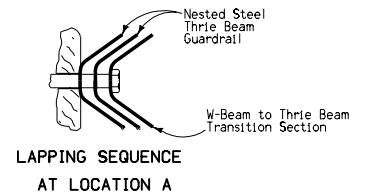
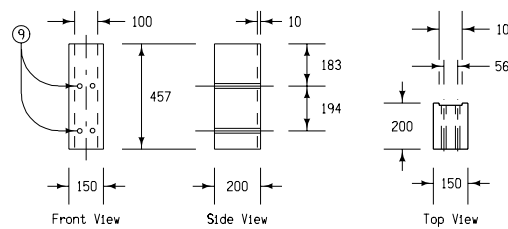
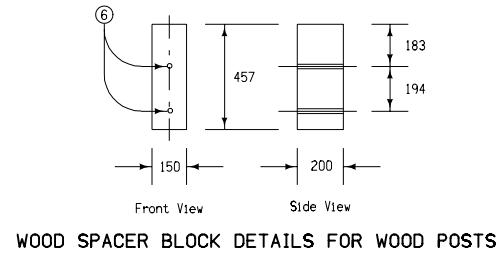
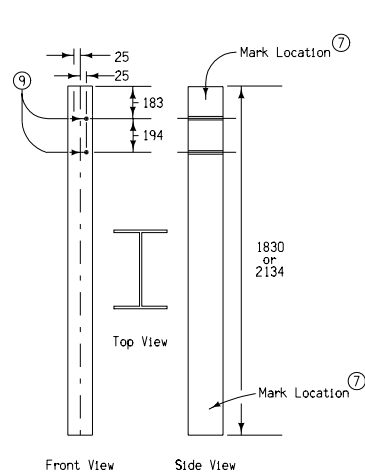
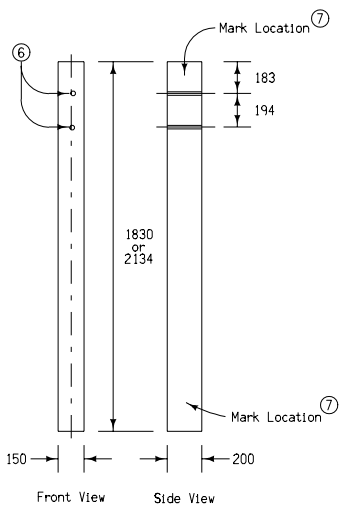
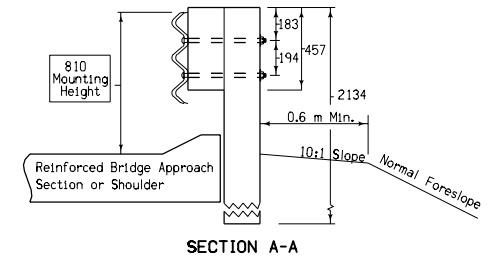


- ① Formed Steel Thrie Beam Guardrail; refer to Standard Road Plan RE-12B.
- ② W-Beam to Thrie Beam Transition Section; refer to Standard Road Plan RE-2B.
- ③ Formed Steel W-Beam Guardrail; refer to Standard Road Plan RE-12A.
- ④ 2134 mm long Post with Wood Spacer Block. Steel or wood post may be used at Contractor's option.
- ⑤ 1830 mm long Post with Wood Spacer Block. Steel or wood post may be used at Contractor's option.
- ⑥ 20 mm round holes in Wood Post and Wood Spacer Block. Refer to Standard Road Plan RE-12B for Details of Hardware.
- ⑦ All 2134 mm posts shall be marked at both ends with (1) the post length, and (2) the supplier or manufacturer.
- ⑧ Use 150 mm X 200 mm X 457 mm Wood Spacer Block, placed flush with the top of the post.
- ⑨ 21 mm round holes in Steel Post and Wood Spacer Block. Refer to Standard Road Plan RE-12C for Details of Hardware.



All dimensions given in millimeters unless noted.

METRIC VERSION	M	Iowa Department of Transportation Highway Division	
	STANDARD ROAD PLAN		RE-68
	REVISIONS: Place Bolts So They Line Up Vertically (Steel Posts and Spacer Blocks).		REVISION NO. 9
	<i>William J. Stein</i> APPROVED BY DESIGN METHODS ENGINEER		REVISION DATE 10-19-04
	STEEL BEAM GUARDRAIL STANDARD TRANSITION SECTION (STS)		