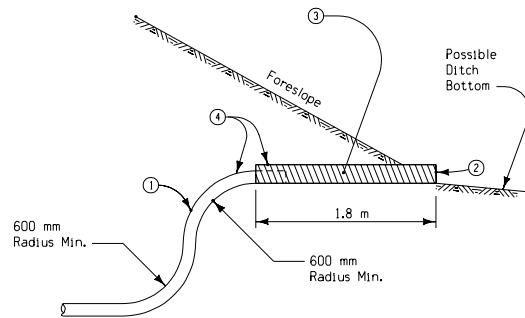
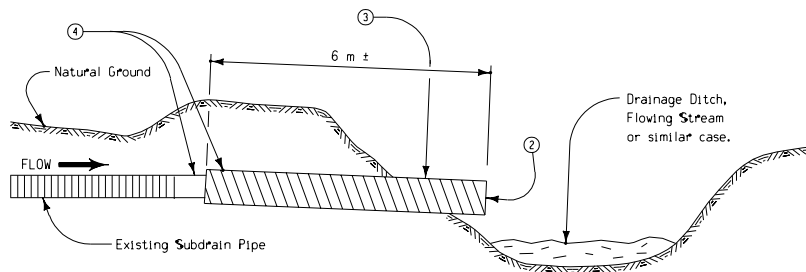


STANDARD SUBDRAIN OUTLET
TYPE A

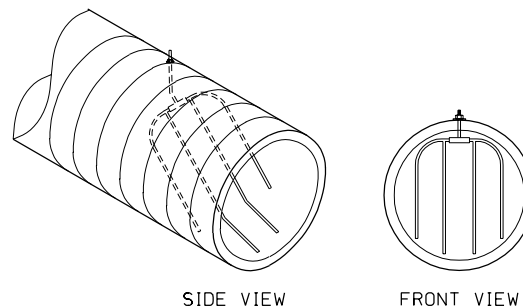
For existing subdrain pipes 300 millimeters or less in diameter. (5)



PRESSURE RELEASE OUTLET
TYPE B



SPECIAL OUTLET
TYPE C



REMOVABLE RODENT GUARD
DETAILS

GENERAL NOTES:

This sheet illustrates the construction of the outlet assembly for Standard Subdrain, Pressure Release and Special outlets.

Materials and construction methods used shall be in accordance with current Standard and Supplemental Specifications.

Refer to "Tabulation of Longitudinal Subdrains" for details of individual subdrain installation.

Price bid for "Subdrain Outlet", each of the size specified per unit shall be considered full compensation for all installation work and materials necessary as detailed hereon, and as required by project plans.

- (1) 100 millimeter Perforated Subdrain (Polyethylene Corrugated Tubing).
- (2) Removable Rodent Guard.
- (3) If corrugated metal pipe is used an outlet 50 millimeters larger than existing subdrain pipe is required. If double-walled PE or PVC pipe is used, an outlet pipe of the same diameter as the existing subdrain pipe may be used.
- (4) The pipes should be coupled in one of the two following ways: (1) Use an inside fit reducer coupler (coupler must be inserted a minimum of 0.3 meters into C.M.P.); or (2) Insert 0.3 meters of the existing subdrain pipe into the corrugated metal outlet pipe, then fully seal the entire opening with grout.
- (5) For existing subdrain pipes larger than 300 millimeters in diameter, use Special Outlet, Type C.

All dimensions given in millimeters unless noted.

METRIC VERSION	M Iowa Department of Transportation Project Development Division	
	STANDARD ROAD PLAN RF-19F	
	REVISION: Include the uses of PE and PVC pipe for outlets.	REVISION NO. 1
	APPROVED BY: DESIGN METHODS ENGINEER	REVISION DATE 04-25-00
SUBDRAIN OUTLETS (STANDARD SUBDRAIN, PRESSURE RELEASE AND SPECIAL)		