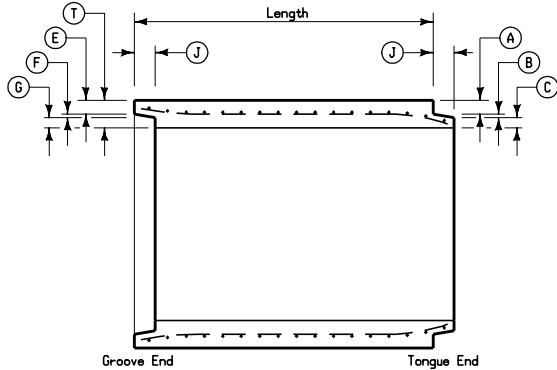
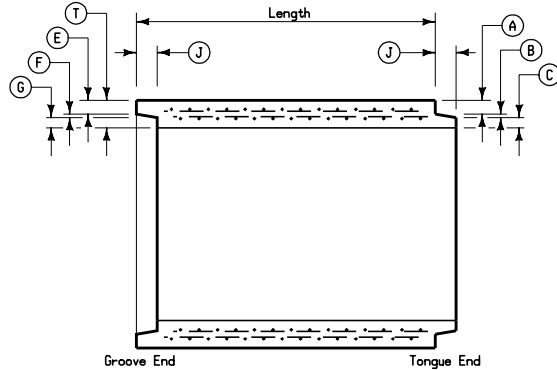


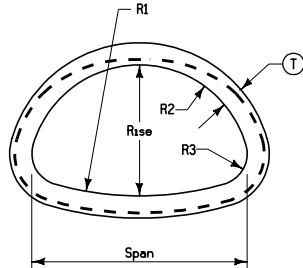
Pipe reinforcement shall comply with AASHTO M 206.



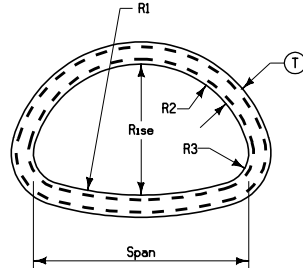
SINGLE LINE REINFORCEMENT



DOUBLE LINE REINFORCEMENT



SINGLE LINE REINFORCEMENT



DOUBLE LINE REINFORCEMENT

Nominal Dimensions Span x Rise	Equiv. Dia.	Water Area	Span	Rise	Approximate Dimensions mm								Radii mm			Approx. mass/m
					T	A	B	C	J	E	F	G	R ₁	R ₂	R ₃	
560 x 345	450	0.15	560	345	65	35	10	20	50	30	10	25	700	350	135	260
725 x 460	600	0.26	725	460	90	40	15	35	75	35	15	40	1035	375	115	475
920 x 570	750	0.41	920	570	100	45	15	40	90	40	15	45	1300	475	155	675
1110 x 675	900	0.59	1110	675	110	50	20	45	100	45	20	50	1575	570	160	910
1300 x 795	1050	0.82	1300	795	115	50	20	45	100	45	20	50	1855	665	190	1100
1485 x 915	1200	1.06	1485	915	125	55	20	50	125	50	20	55	2135	760	220	1330
1650 x 1015	1350	1.33	1650	1015	140	65	20	55	125	55	20	65	2350	850	250	1630
1855 x 1145	1500	1.64	1855	1145	150	80	20	50	125	70	20	60	2670	955	285	2000
2235 x 1370	1800	2.38	2235	1370	175	95	25	55	150	85	25	65	3200	1145	320	2805
2590 x 1575	2100	3.21	2590	1575	200	100	25	75	150	90	25	85	4130	1320	355	3705
2920 x 1830	2250	4.13	2920	1830	215	105	25	85	180	95	25	95	4650	1500	490	4315
3100 x 1960	2400	4.80	3100	1960	225	110	25	90	180	100	25	100	5535	1575	510	5225
3505 x 2215	2700	6.13	3505	2215	250	125	25	100	180	115	25	110	6835	1780	570	6550
3910 x 2460	3000	7.60	3910	2460	275	135	25	115	180	125	25	125	7655	1980	610	8035
4285 x 2705	3300	9.21	4285	2705	250	125	25	100	180	115	25	110	8355	2175	685	8020

Contract Item:
Concrete Arch Pipe
Tabulations: 104-3, 104-4

All dimensions given in millimeters unless noted.

M		REVISION
		3 10-16-07
	STANDARD ROAD PLAN	RF-41
	SHEET 1 of 1	
REVISIONS: Removed specification language. Corrected dimensions for 24, 30, and 36 inch pipes.		
<i>Deanna Mufsh</i> APPROVED BY DESIGN METHODS ENGINEER		
CONCRETE ARCH PIPE		