

URBAN STANDARD SPECIFICATIONS for PUBLIC IMPROVEMENT MANUAL

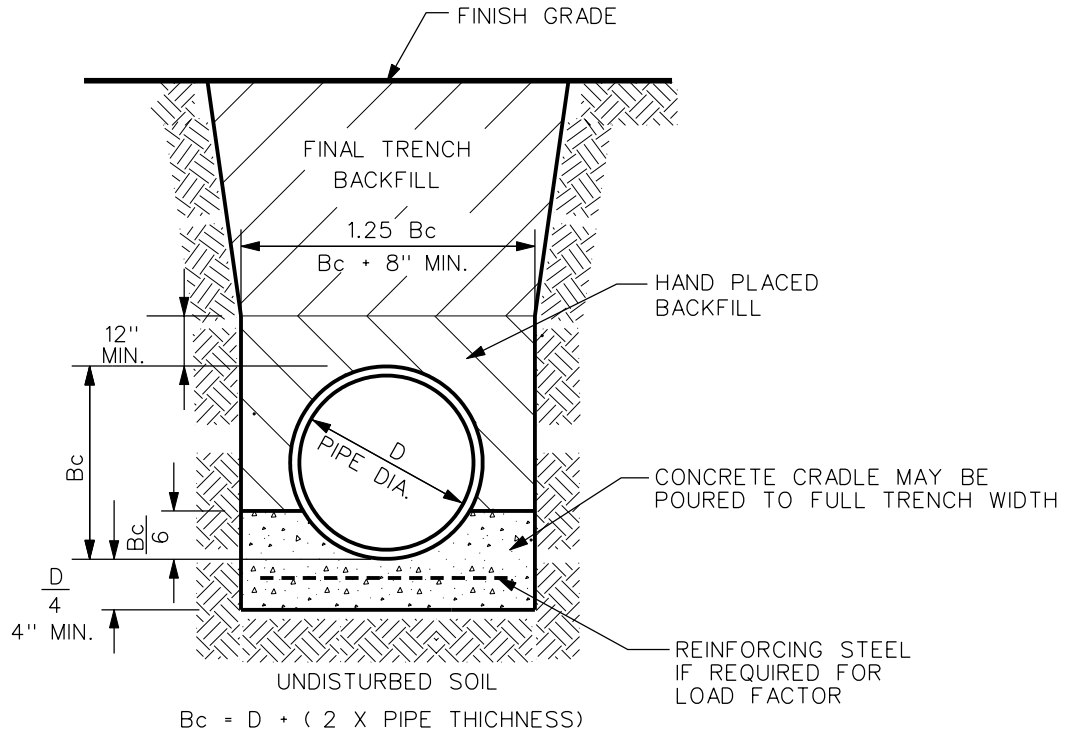


TABLE 1

LOAD FACTOR:	
3.4	AREA OF TRANSVERSE STEEL = 0.004 x AREA OF CONCRETE AT INVERT (SEE TABLE 2 FOR BAR SPACING). ①
2.8	NON-REINFORCED CONCRETE CRADLE WITH CAREFULLY TAMPED BACKFILL.
2.8	NON-REINFORCED CONCRETE CRADLE WITH LIGHTLY TAMPED BACKFILL.

TABLE 2

TRANSVERSE REINFORCEMENT SPACING ①			
PIPE DIAMETER INCHES	BAR SIZE NO.	SINGLE LAYER INCHES	DOUBLE LAYER INCHES
12	4	12	
12	4	12	
15	4	12	
18	5	16	
24	5	12	
30	6	15	30
36	6	12	24
48	7	12	24
54	8	15	30
60	8	12	24
66	8	12	24
72	8	10	18
84	9	12	24

① ALTERNATE BAR/SPACING COMBINATIONS MAY BE ALLOWED UPON APPROVAL OF THE JURISDICTIONAL ENGINEER.

1	10/18/05		CLASS A CONCRETE CRADLE	FIGURE: 3010.7
REV.	DATE	BY		SHEET 1 OF 1
DATE: 01-01-98				