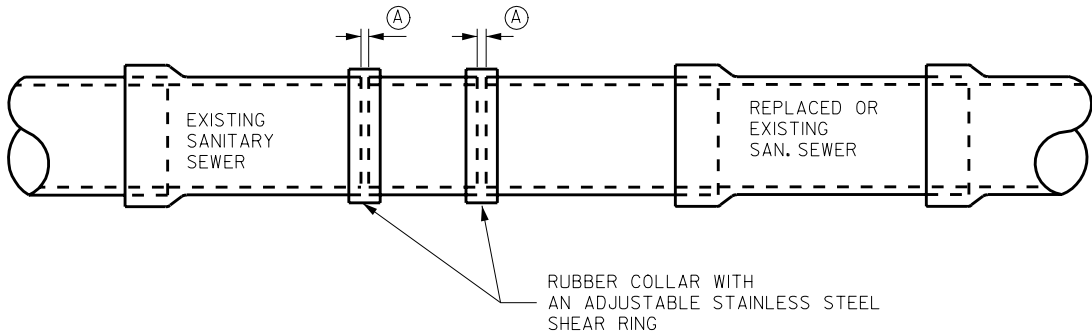


PIPE CUTTING DETAIL



SEWER ASSEMBLY DETAIL

NOTE:

1. ALL PIPE SURFACES ON WHICH REPAIR COUPLINGS ARE TO BE INSTALLED SHALL BE CLEAN.
2. AFTER COMPLETING ASSEMBLY OF THE REPAIR COUPLINGS, ALL VOIDS UNDER THE EXPOSED SEWER LINE SHALL BE COMPLETELY FILLED WITH CONTROLLED DENSITY FILL.
3. MATERIALS FOR REPLACEMENT PIPE: SEE SPECIFICATIONS.

REV.	DATE	BY
	01-01-98	

REPLACING SECTIONS OF EXISTING VCP  
SANITARY SEWER

FIGURE: 4030.1

SHEET 1 OF 1