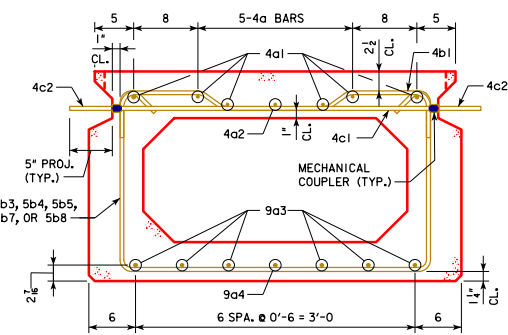
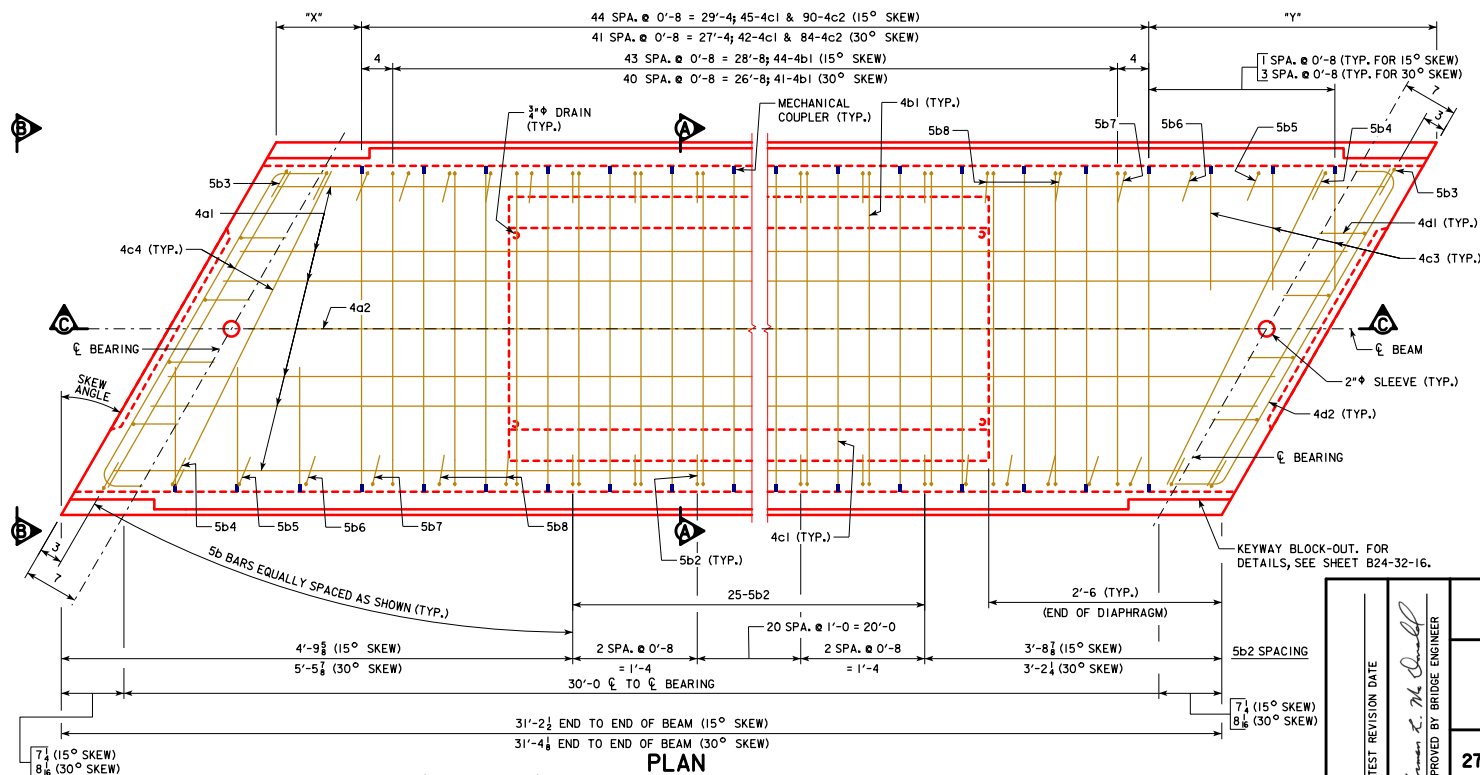


SECTION C-C
(KEYWAY NOT SHOWN FOR CLARITY)



SECTION A-A

NOTE:
OMIT KEYWAY, MECHANICAL COUPLERS, AND 4c2 BARS ON EXTERIOR FACE OF EXTERIOR BEAMS.



PLAN
(30° SKEW SHOWN, 15° SKEW SIMILAR) (INTERIOR BEAM SHOWN, EXTERIOR BEAM SIMILAR)
(9a BARS IN BOTTOM SLAB AND 4c2 BARS NOT SHOWN FOR CLARITY)

TABLE OF DIMENSION DATA				
BEAM LINE	15° SKEW		30° SKEW	
	X	*Y*	*X*	*Y*
A	2 3/8	1'-7 1/8	11	3'-1 1/8
B	3 1/2	1'-7	10 5/8	3'-1 1/2
C	4 3/8	1'-6 5/8	10 3/8	3'-1 3/4
D	5 1/4	1'-5 1/4	10	3'-2 1/8
E	6 1/4	1'-4 3/4	9 3/4	3'-2 3/8
F	7	1'-3 1/2	9 1/2	3'-2 5/8

NOTE:
FOR BEAM LINE DESIGNATIONS, SEE SHEET B24-06-16.

NOTES:
FOR VIEW B-B, SEE SHEET B24-52-16.
FOR BEAM CHAMFER DETAILS, SEE SHEET B24-33-16.

LATEST REVISION DATE
Thomas E. McQuill
APPROVED BY BRIDGE ENGINEER

IOWADOT Highway Division
STANDARD DESIGN - 24'-0 ROADWAY, SINGLE SPAN
CONCRETE BOX BEAM BRIDGES
DECEMBER, 2016
27" x 48" x 30'-0 RCBB DETAILS
15° AND 30° SKEW
B24-54-16