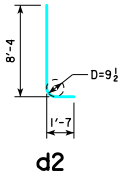
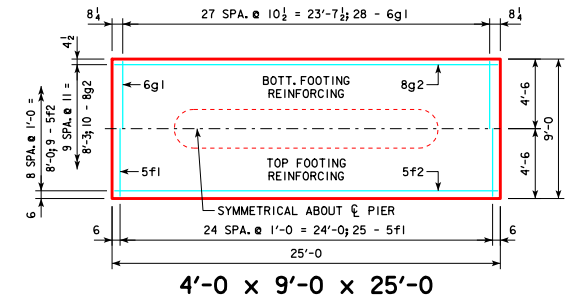
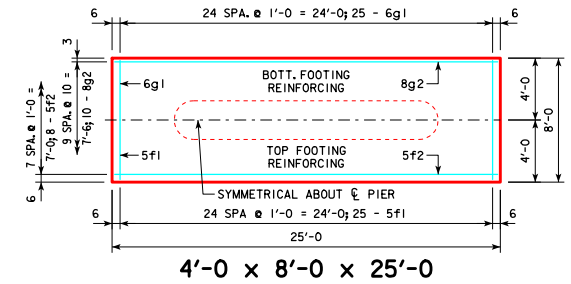
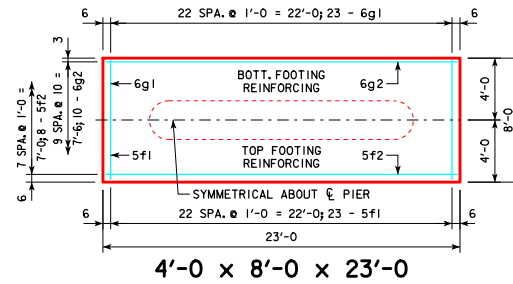


REVISED 04-12 - EXCAVATION LIMIT WAS CHANGED TO 3'-0".
REVISED 09-2016 - CHANGED VERTICAL CLEARANCE OF REBAR TO TOP OF PIER FOOTING TO 3" (WAS 2").

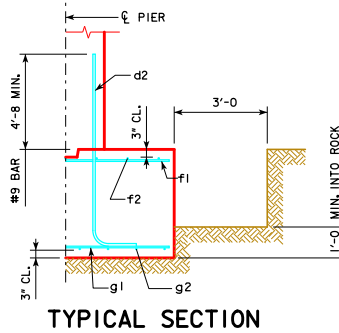
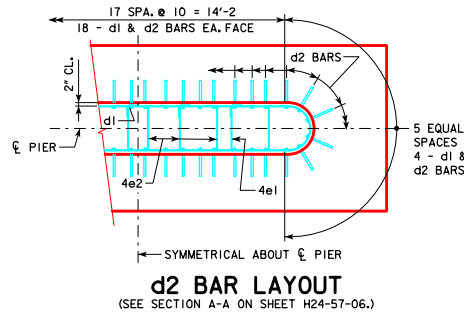


NOTE: D = PIN DIAMETER.
DIMENSIONS ARE OUT TO OUT.



H IN ABUT. FT.	CL - C BRG.	FOOTING SIZE
25 TO 27	138'-10 151'-4 163'-10 176'-4 188'-10 201'-4 213'-10 226'-4 243'-0	4' x 8' x 23'
28 TO 30	138'-10 151'-4 163'-10 176'-4 188'-10 201'-4 213'-10 226'-4 243'-0	4' x 8' x 25'
31 TO 33	201'-4 213'-10 226'-4 243'-0	4' x 8' x 25'
34 TO 36	201'-4 213'-10 226'-4 243'-0	4' x 9' x 25'
37 TO 40	201'-4 213'-10 226'-4 243'-0	4' x 9' x 25'

FOOTING SIZE	REINFORCING STEEL (ONE FOOTING)			TOTAL WEIGHT (LB.)	STRUCTURAL CONCRETE (CY)
	BAR NO., SIZE & SPACING	LENGTH	WEIGHT (LB.)		
4' x 8' x 23'	d2 44 - #9 AS SHOWN	9'-11	1484		
	f1 23 - #5 @ 1'-0	7'-8	184		
	f2 8 - #5 @ 1'-0	22'-8	189		
	g1 23 - #6 @ 1'-0	7'-8	265		
	g2 10 - #6 @ 0'-10	22'-8	340		
4' x 8' x 25'	d2 44 - #9 AS SHOWN	9'-11	1484		
	f1 25 - #5 @ 1'-0	7'-8	200		
	f2 8 - #5 @ 1'-0	24'-8	206		
	g1 25 - #6 @ 1'-0	7'-8	288		
	g2 10 - #6 @ 0'-10	24'-8	659		
4' x 9' x 25'	d2 44 - #9 AS SHOWN	9'-11	1484		
	f1 25 - #5 @ 1'-0	8'-8	226		
	f2 9 - #5 @ 1'-0	24'-8	232		
	g1 28 - #6 @ 0'-10 1/2	8'-8	364		
	g2 10 - #8 @ 0'-11	24'-8	659		



FOOTING NOTES:

THESE SPREAD FOOTINGS ARE DESIGNED AND DETAILED TO BE USED WITH THE CAP AND COLUMN DETAILS OF THE TEE PIERS AS SHOWN ON SHEET H24-57-06.

THESE SPREAD FOOTINGS SHALL EXTEND AT LEAST 12 INCHES INTO SUITABLE FOUNDATION ROCK AND THE LAST 12 INCHES OF ROCK EXCAVATION SHALL BE TO NEAT LINES OF MASONRY. THE FOUNDATION ROCK SHALL HAVE A MINIMUM LRFD NOMINAL BEARING RESISTANCE OF 30 KIPS PER SQUARE FOOT (ALLOWABLE BEARING VALUE OF AT LEAST 10 KIPS PER SQUARE FOOT).

09-2016 LATEST REVISION DATE Approved by APPROVED BY BRIDGE ENGINEER		
	STANDARD DESIGN - 24' ROADWAY, THREE SPAN BRIDGE PRETENSIONED PRESTRESSED CONCRETE BEAM BRIDGES DECEMBER, 2006	
TEE PIER - SPREAD FOOTINGS		H24-63-06
15° SKEW - H=25' TO 40'		