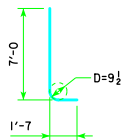


TYPICAL SECTION



d2

NOTE: D = PIN DIAMETER.
DIMENSIONS ARE OUT TO OUT.

NOTE: THE REINFORCING STEEL QUANTITY IS TO BE INCLUDED ON THE SUMMARY QUANTITIES SHEET IN THE PLAN.

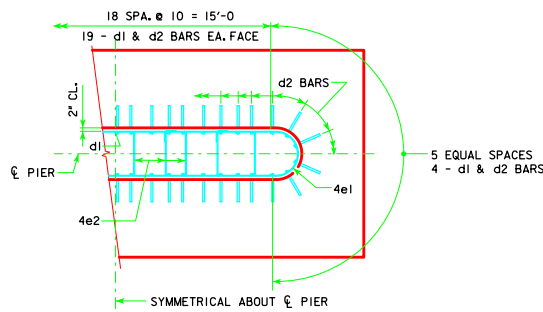
NOTE: THE CONCRETE QUANTITY IS TO BE INCLUDED ON THE SUMMARY QUANTITIES SHEET IN THE PLAN.

NOTE: THE PILE TYPE IS TO BE INCLUDED ON THE SUMMARY QUANTITIES SHEET IN THE PLAN.

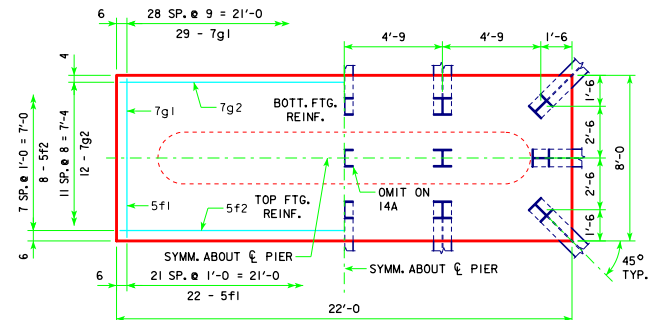
H IN FT.	CL - CL ABUT. BRG.	NO. & LAYOUT	PILING (HP10x57)		FOOTING SIZE
			① LRFD PU, STRENGTH I DES. LOAD (KIPS)		
18 TO 16	201'-4	14A	205		3'-6 x 8' x 22'
	213'-10	14A	212		
	226'-4	15A	213		
	243'-0	16A	203		
18 TO 21	201'-4	14A	209		3'-6 x 8' x 22'
	213'-10	14A	217		
	226'-4	15A	218		
	243'-0	16A	207		
22 TO 24	201'-4	14A	214		3'-6 x 8' x 22'
	213'-10	15A	213		
	226'-4	16A	203		
	243'-0	16A	211		

FOOTING SIZE	REINFORCING STEEL (ONE FOOTING)				TOTAL WEIGHT (LB.)	STRUCTURAL CONCRETE (CY)
	BAR	NO., SIZE & SPACING	LENGTH	WEIGHT (LB.)		
3'-6 x 8' x 22'	d2	46 - #9 AS SHOWN	8'-7	1342	2684	22.8
	f1	22 - #5 @ 1'-0	7'-8	176		
	f2	8 - #5 @ 1'-0	21'-8	181		
	g1	29 - #7 @ 0'-9	7'-8	454		
	g2	12 - #7 @ 0'-8	21'-8	531		

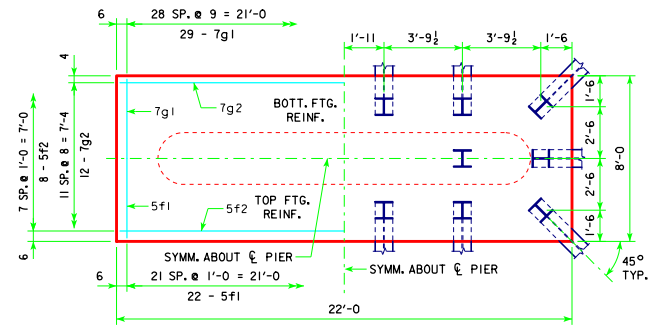
① NOTE: PU, STRENGTH I DESIGN LOAD (KIPS) IS NOT THE VALUE USED IN THE FIELD FOR DRIVING PILES.



d2 BAR LAYOUT
(SEE SECTION A-A ON SHEET H40-65-14.)



3'-6 x 8'-0 x 22'-0 FOR 14A & 15A



3'-6 x 8'-0 x 22'-0 FOR 16A

FOOTING NOTES:

THESE FOOTINGS ARE DESIGNED AND DETAILED TO BE USED WITH THE CAP AND COLUMN DETAILS OF THE TEE PIERS AS SHOWN ON SHEET H40-65-14.

BATTER PILES IN EXTERIOR ROWS 1:4 IN THE DIRECTION SHOWN.

STEEL PILING USED AS POINT BEARING SHALL HAVE A MINIMUM DISTANCE OF APPROXIMATELY 10 FEET FROM BOTTOM OF FOOTING TO TOP OF BEARING ROCK. THE PILE LAYOUTS ARE SUCH THAT THE DISTANCE CENTER TO CENTER OF ADJACENT PILING SHALL NOT EXCEED 8'-0.

PIER PILES SHALL BE DRIVEN TO VALUES SHOWN IN DESIGN PLANS.

LATEST REVISION DATE	 APPROVED BY BRIDGE ENGINEER	 STANDARD DESIGN - 40' ROADWAY, THREE SPAN BRIDGE PRETENSIONED PRESTRESSED CONCRETE BEAM BRIDGES SEPTEMBER, 2014	H40-69-14
		TEE PIER-HP10x57 SRL-2 STEEL PILE FOOTINGS	
		15° SKEW - H=16' TO 24'	