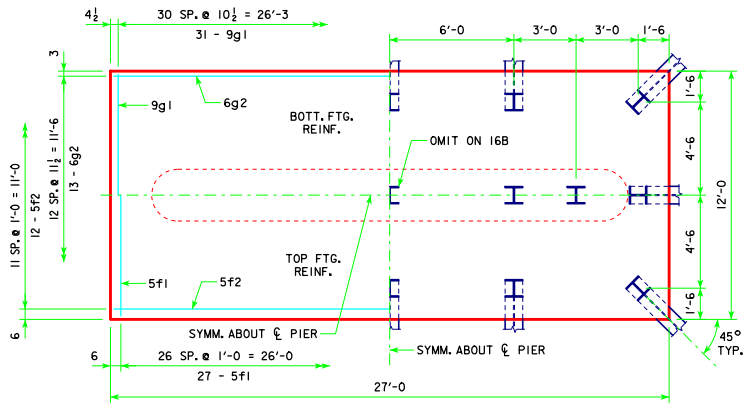
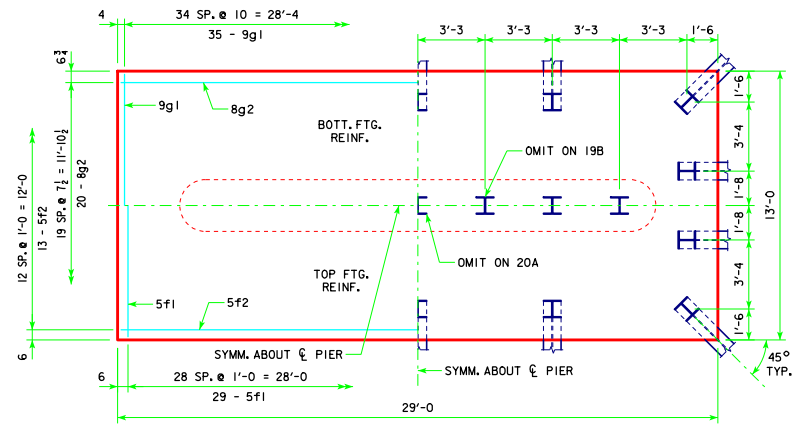


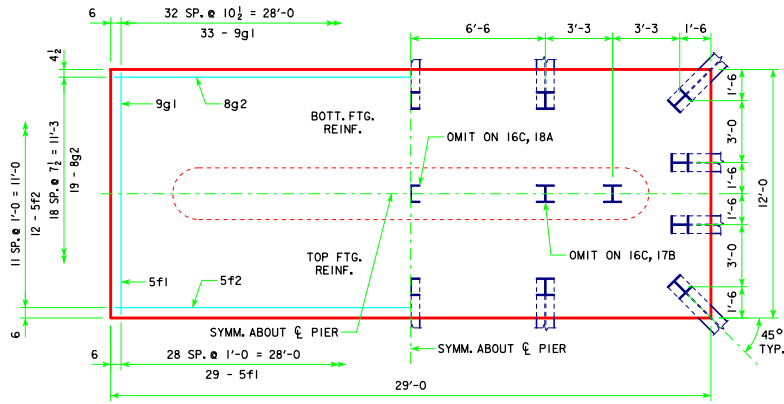
REVISED 05-13 - REVISION FOR LRFD PILE DESIGN.



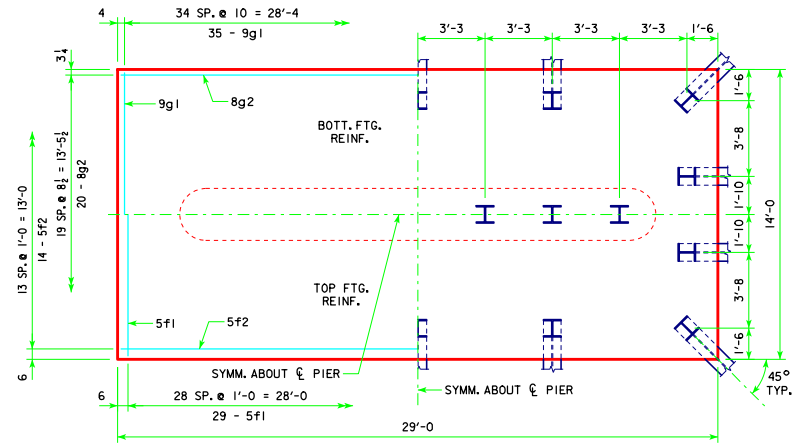
4'-0" x 12'-0" x 27'-0" FOR 16B & 17A



4'-0" x 13'-0" x 29'-0" FOR 19B & 20A



4'-0" x 12'-0" x 29'-0" FOR 16C, 17B, 18A & 19A



4'-0" x 14'-0" x 29'-0" FOR 20B

NOTE:
SEE SHEET RS40-151-10 FOR FOOTING NOTES.

<p>LATEST REVISION DATE</p> <p>05-13</p>	<p>APPROVED BY BRIDGE ENGINEER</p> <p><i>Thomas E. McQuinn</i></p>	<p>Iowa Department of Transportation Highway Division</p> <p>STANDARD DESIGN - 40' ROADWAY, 3 SPAN BRIDGES</p> <p>ROLLED STEEL BEAM BRIDGES</p> <p>JUNE, 2010</p>	
		<p>TEE PIER-HPI0x57 SRL-2 STEEL PILE FOOTINGS</p> <p>30° SKEW - SHEET 3</p>	<p>RS40-153-10</p>