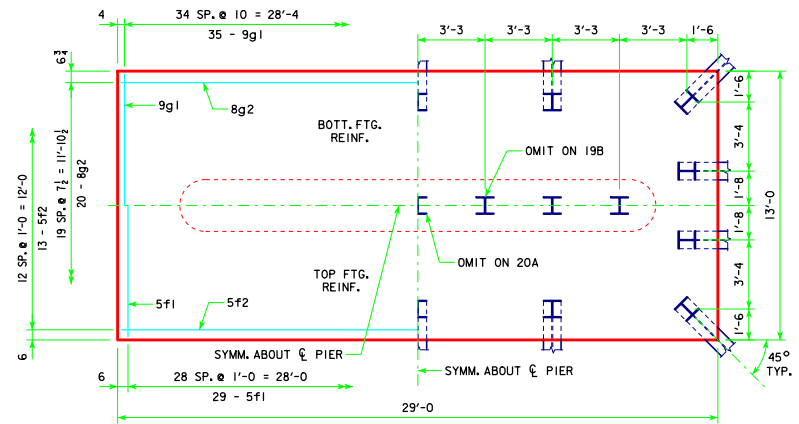
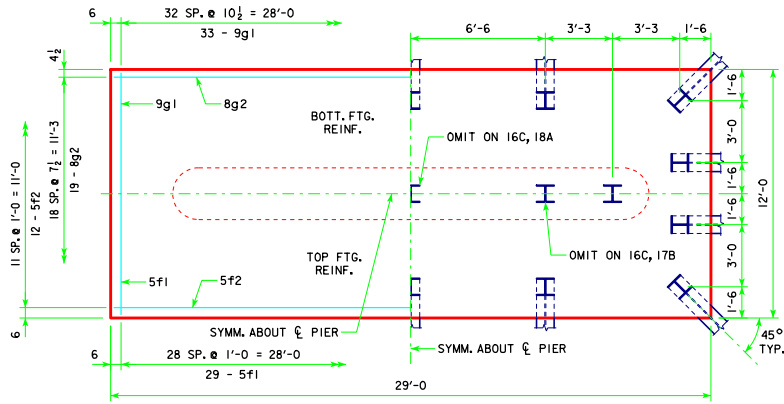


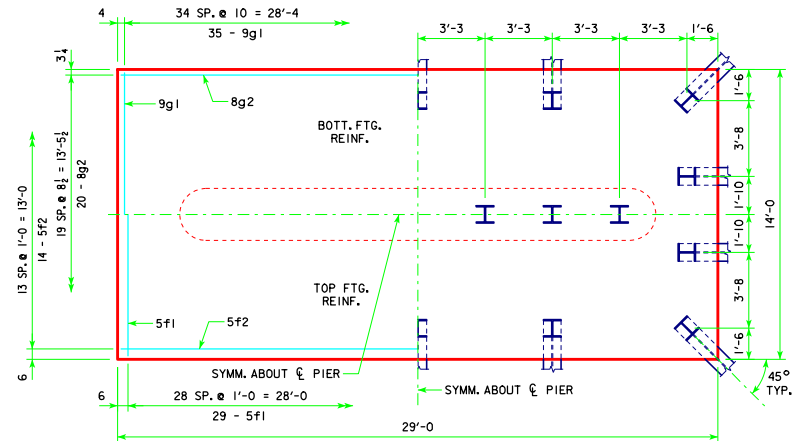
4'-0 x 12'-0 x 27'-0 FOR 16B & 17A



4'-0 x 13'-0 x 29'-0 FOR 19B & 20A



4'-0 x 12'-0 x 29'-0 FOR 16C, 17B, 18A & 19A



4'-0 x 14'-0 x 29'-0 FOR 20B

NOTE:  
SEE SHEET RS40-151-14 FOR FOOTING NOTES.

LATEST REVISION DATE  <i>Thomas E. McQuinn</i> APPROVED BY BRIDGE ENGINEER	
	STANDARD DESIGN - 40' ROADWAY, 3 SPAN BRIDGES <b>ROLLED STEEL BEAM BRIDGES</b> OCTOBER, 2014
<b>TEE PIER-HPI0x57 SRL-2</b> <b>STEEL PILE FOOTINGS</b> <small>30° SKEW - SHEET 3</small>	<b>RS40-153-14</b>