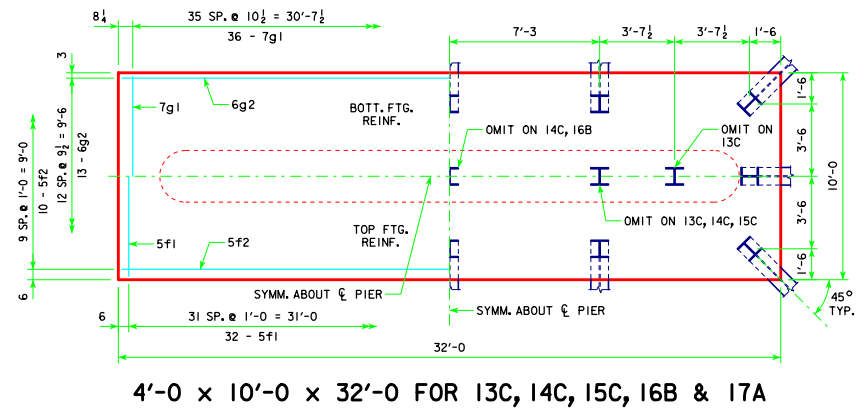
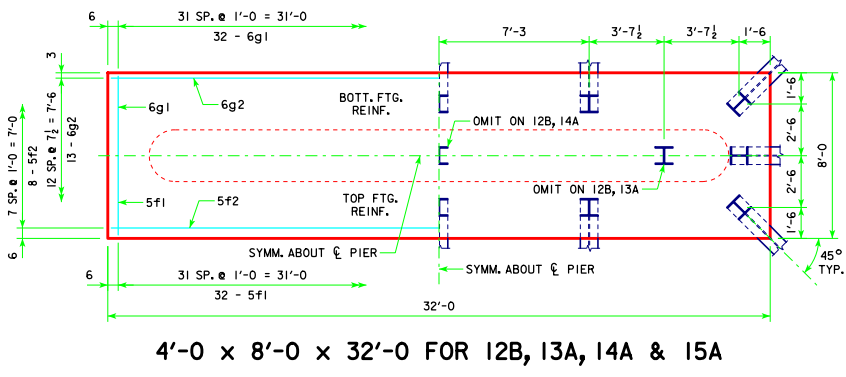
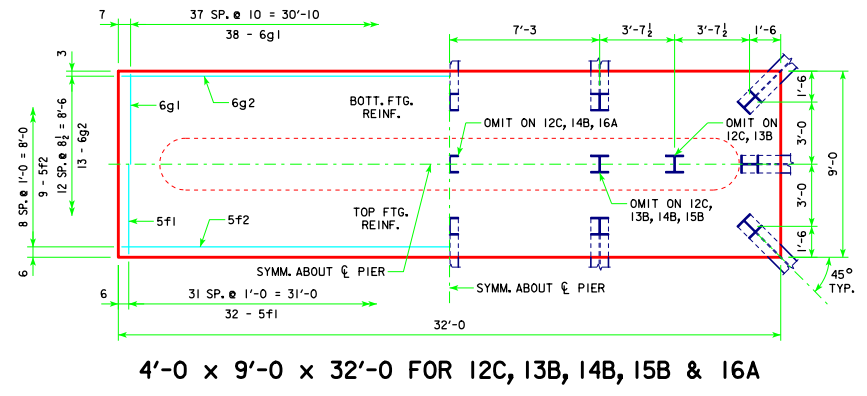
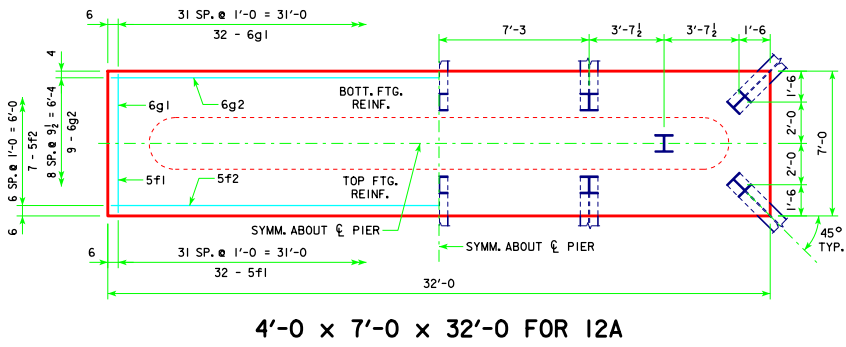


REVISED 05-13 - REVISION FOR LRFD PILE DESIGN.



NOTE:
SEE SHEET RS40-161-10 FOR FOOTING NOTES.

05-13 LATEST REVISION DATE <i>Thomas E. McQuinn</i> APPROVED BY BRIDGE ENGINEER	
	STANDARD DESIGN - 40' ROADWAY, 3 SPAN BRIDGES ROLLED STEEL BEAM BRIDGES JUNE, 2010
	TEE PIER-HPI0x57 SRL-2 STEEL PILE FOOTINGS <small>45° SKEW - SHEET 2</small>

RS40-162-10