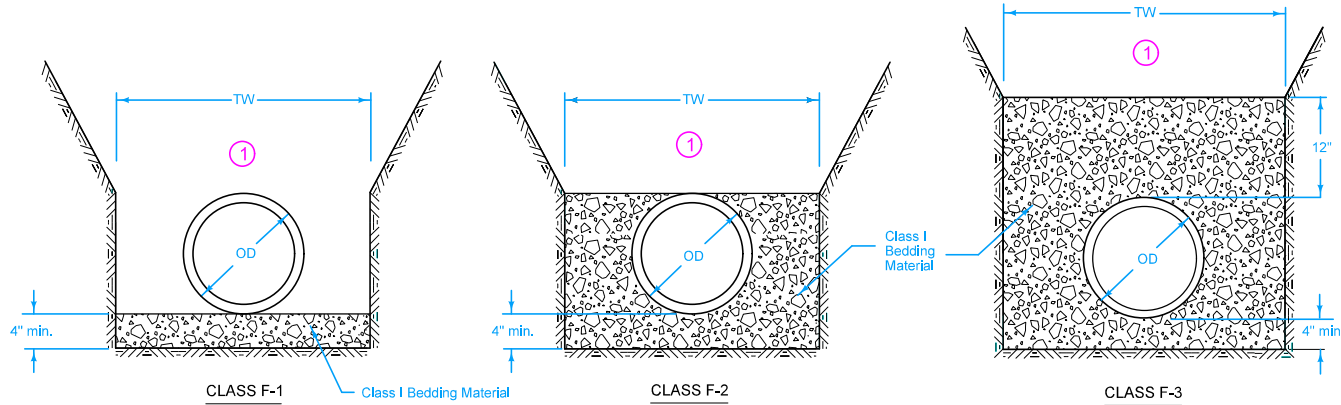


BEDDING CLASSES



- ① Place remainder of bedding and backfill materials as specified in the contract documents.
- ② Minimum depth of bury 12 inches or as specified by the manufacturer.

ALLOWABLE BEDDING CLASSES

| PIPE MATERIAL | STORM SEWER | SANITARY SEWER |
|---------------|---------------|----------------|
| Ductile Iron | F-1, F-2, F-3 | F-1, F-2, F-3 |
| HDPE | F-2, F-3 | Not allowed |
| Polypropylene | F-2, F-3 | F-3 |
| PVC | F-2, F-3 | F-3 |

Key

OD = Outside diameter of pipe
 TW = Trench width at top of pipe:
 Min. = OD+18 Inches OR 1.25xOD+12 Inches
 (whichever is greater)

ALLOWABLE BURY DEPTH ②

PVC PIPE

| Pipe Diameter (in) | ASTM D 3034 | | | ASTM F 679 | ASTM F 949 | ASTM F 1803 | ASTM D 2680 |
|--------------------|-------------|--------|--------|------------|------------------|----------------|------------------------|
| | Solid Wall | | | Solid Wall | Corrug. Exterior | Closed Profile | Composite (Truss Type) |
| | SDR 23.5 | SDR 26 | SDR 35 | SDR 35 | | | |
| 8 | 30' | 28' | 24' | --- | 24' | --- | 32' |
| 10 | 30' | 28' | 24' | --- | 24' | --- | 32' |
| 12 | 30' | 28' | 24' | --- | 24' | --- | 32' |
| 15 | 30' | 28' | 24' | --- | 24' | --- | 32' |
| 18 | --- | --- | --- | 24' | 24' | --- | --- |
| 21 | --- | --- | --- | 24' | 24' | 24' | --- |
| 24 | --- | --- | --- | 24' | 24' | 24' | --- |
| 27 | --- | --- | --- | 24' | --- | 24' | --- |
| 30 | --- | --- | --- | 24' | 24' | 24' | --- |
| 33 | --- | --- | --- | 24' | --- | --- | --- |
| 36 | --- | --- | --- | 24' | 24' | 24' | --- |
| 42 | --- | --- | --- | 24' | --- | 24' | --- |
| 48 | --- | --- | --- | 24' | --- | 24' | --- |
| 54 | --- | --- | --- | --- | --- | 24' | --- |
| 60 | --- | --- | --- | --- | --- | 24' | --- |

DUCTILE IRON, AWWA C151, CLASS 52

| Pipe Diameter (in) | Class F-1 Bedding | Class F-2 Bedding | Class F-3 Bedding |
|--------------------|-------------------|-------------------|-------------------|
| 4 | 40' | 40' | 40' |
| 6 | 40' | 40' | 40' |
| 8 | 40' | 40' | 40' |
| 10 | 40' | 40' | 40' |
| 12 | 37' | 40' | 40' |
| 14 | 31' | 40' | 40' |
| 16 | 28' | 37' | 40' |
| 18 | 25' | 34' | 40' |
| 20 | 23' | 32' | 40' |
| 24 | 20' | 29' | 38' |
| 30 | 18' | 23' | 31' |
| 36 | 18' | 22' | 30' |
| 42 | 17' | 21' | 29' |
| 48 | 16' | 19' | 27' |
| 54 | 16' | 19' | 27' |

HDPE PIPE

| Pipe Diameter (in) | AASHTO M 294 |
|--------------------|--------------|
| 12 | 8' |
| 15 | 9' |
| 18 | 9' |
| 24 | 9' |
| 30 | 9' |
| 36 | 9' |
| 42 | 8' |
| 48 | 8' |
| 54 | 8' |
| 60 | 8' |

POLYPROPYLENE PIPE

| Pipe Diameter (in) | ASTM F 2764 |
|--------------------|-------------|
| 12 | 24' |
| 15 | 25' |
| 18 | 22' |
| 24 | 20' |
| 30 | 22' |
| 36 | 21' |
| 42 | 22' |
| 48 | 23' |
| 54 | 21' |
| 60 | 21' |

FIGURE 3010.103

SHEET 1 OF 1

| | | |
|--|--------------------|-------------------------|
| | | REVISION |
| | | 3 04-16-19 |
| FIGURE 3010.103 | STANDARD ROAD PLAN | SW-103 |
| SHEET 1 of 1 | | |
| REVISIONS: Removed ASTM F 2736 from Polypropylene Pipe table. Changed Class 1 to Class I in the CLASS F-2 and CLASS F-3 details. | | |
| SUDAS DIRECTOR | | DESIGN METHODS ENGINEER |
| FLEXIBLE GRAVITY PIPE TRENCH BEDDING | | |